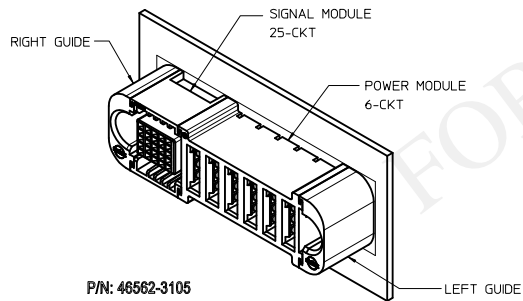


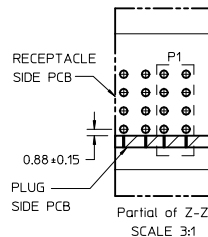
RECOMMENDED PCB LAYOUT

NOTES:

1. MATERIAL:
 - HOUSINGS: LCP UL94 V-0, COLOR: BLACK.
 - TERMINALS: COPPER ALLOY.
 - PLATING: 0.000127/0.000050 NICKEL OVERALL WITH 0.00254/0.000100 SELECTIVE TIN ON COMPLIANT PINS AND 0.000762/0.000030 SELECTIVE GOLD ON CONTACT AREA.
2. ASSEMBLIES PACKED IN TRAYS, SPQ: TBD
3. PCB BOARD REQUIRES THRU HOLES. REFER TO PS-46436-100 DETAILS.
4. PRODUCT SPEC: PS-46436-100.
5. APPLICATION SPEC: AS-46436-100.
6. PRODUCT TO MEET RoHS REQUIREMENTS.
7. ASSEMBLY MATES WITH PLUG ASSEMBLY, P/N 46437-3105.



P/N: 46562-3105



PRIMARY RELEASE IEC NO. UCP2011-1446 DRAWN: TMPATIL 2010/11/26 CHKD: APPR: JSCHAER 2011/02/03	QUALITY SYMBOLS ∇=0 ∇=0 ∇=0	GENERAL TOLERANCES (UNLESS SPECIFIED)		DIMENSION STYLE MM ONLY	SCALE 4:1	DESIGN UNITS METRIC	THIRD ANGLE PROJECTION		
		4 PLACES ±--- ±--- 3 PLACES ±--- ±--- 2 PLACES ±0.13 ±--- 1 PLACE ±0.25 ±---	mm INCH	DRAWN BY TMPATIL	DATE 2010/11/26	CHECKED BY DATE	VERT RECEPTACLE 6P-25S TEN60 POWER FAMILY		
		ANGULAR ±1/2°		APPROVED BY JSCHAER	DATE 2011/02/03	MOLEX INCORPORATED			
		DRAFT WHERE APPLICABLE MUST REMAIN WITHIN DIMENSIONS		MATERIAL NO. 46562-3105	DOCUMENT NO. SD-46562-3105	SHEET NO. 1 OF 1			

THIS DRAWING CONTAINS INFORMATION THAT IS PROPRIETARY TO MOLEX INCORPORATED AND SHOULD NOT BE USED WITHOUT WRITTEN PERMISSION

X-ON Electronics

Largest Supplier of Electrical and Electronic Components

Click to view similar products for [Power to the Board](#) category:

Click to view products by [Molex](#) manufacturer:

Other Similar products are found below :

[10131318-08512GRLF](#) [6450171-4](#) [6450552-7](#) [6600323-8](#) [6643429-1](#) [6646040-2](#) [6651939-1](#) [6766604-1](#) [120959-1](#) [1393557-2](#) [1393532-2](#)
[1393532-3](#) [1393532-4](#) [1393557-1](#) [1600812-5](#) [1-6450861-2](#) [1645595-1](#) [1743490-1](#) [1744132-7](#) [1761122-1](#) [1766169-1](#) [1766250-1](#) [18362](#)
[1892109-1](#) [1-967627-6](#) [2226808-1](#) [2-6450860-5](#) [2-6450860-6](#) [2-6450870-0](#) [93003-0502](#) [953552-1](#) [1-6450161-4](#) [1-6450850-6](#) [1645526-2](#) [1-](#)
[6600130-0](#) [1743419-1](#) [1766150-1](#) [2005243-2](#) [211110-1](#) [2-6600130-2](#) [TE34-12-16P-F0](#) [51700-10201602AALF](#) [5-6450830-6](#) [5646956-4](#)
[36662-0005](#) [40585-3000](#) [4-6450830-9](#) [4-6600333-3](#) [51142-0214](#) [10125416-4050LF](#)