

**PLEASE CHECK WWW.MOLEX.COM FOR LATEST PART INFORMATION**

**Part Number:** **0466250400**  
**Status:** **Active**  
**Overview:** Micro-Fit Connector System  
**Description:** Micro-Fit BMI Plug Housing, Single Row, Panel Mount, 4 Circuits, Nylon,UL 94V-0

**Documents:**

<a href="#">3D Model</a>	<a href="#">Application Specification 466250001-AS-000 (PDF)</a>
<a href="#">3D Model (PDF)</a>	<a href="#">Packaging Specification 466250000-PK-000 (PDF)</a>
<a href="#">Drawing (PDF)</a>	<a href="#">Datasheet (PDF)</a>
<a href="#">Product Specification PS-44300-001-001 (PDF)</a>	<a href="#">RoHS Certificate of Compliance (PDF)</a>

**Agency Certification**

CSA	LR19980
UL	E29179

**General**

Product Family	Crimp Housings
Series	<a href="#">46625</a>
Application	Power, Wire-to-Board, Wire-to-Wire
Overview	<a href="#">Micro-Fit Connector System</a>
Product Name	Micro-Fit BMI
UPC	887191386607

**Physical**

Circuits (maximum)	4
Color - Resin	Black
Flammability	94V-0
Gender	Plug
Glow-Wire Capable	No
Lock to Mating Part	No
Material - Resin	Nylon
Net Weight	1.761/g
Number of Rows	1
Packaging Type	Bag
Panel Mount	Yes
Pitch - Mating Interface	3.00mm
Polarized to Mating Part	Yes
Stackable	No
Temperature Range - Operating	-40° to +105°C

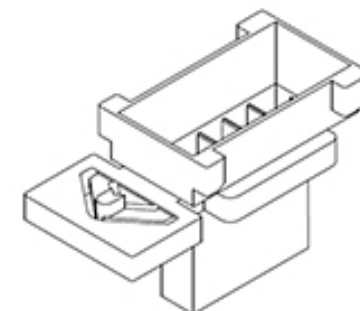
**Solder Process Data**

Lead-freeProcess Capability	N/A
-----------------------------	-----

**Material Info**

**Reference - Drawing Numbers**

Application Specification	466250001-AS-000
Packaging Specification	466250000-PK-000
Product Specification	PS-44300-001-001
Sales Drawing	SD-46625-001-001



Series image - Reference only

**EU ELV**

**Not Relevant**

**EU RoHS**

**Compliant**

**REACH SVHC**

Not Contained Per -  
D(2021)4569-DC (8  
July 2021)

**Halogen-Free**

**Status**

**Low-Halogen**

For more information, please visit [Contact US](#)

China ROHS

ELV

RoHS Phthalates

**China RoHS**

Green Image

Not Relevant

Not Contained

**Search Parts in this Series**

[46625 Series](#)

**Mates With**

Micro-Fit BMI Receptacle Housing [46623](#)

**Use With**

Micro-Fit 3.0 Crimp Terminals [43031](#) <br>  
Micro-Fit 3.0 Pre-Crimped Lead [214762](#) ,  
[214763](#)

## X-ON Electronics

Largest Supplier of Electrical and Electronic Components

*Click to view similar products for [Headers & Wire Housings](#) category:*

*Click to view products by [Molex](#) manufacturer:*

Other Similar products are found below :

[892-18-020-10-001101](#) [58102-G61-06LF](#) [582553-1](#) [0009485154](#) [009176003701906](#) [0050291907](#) [LY20-4P-DT1-P1E-BR](#) [02.125.8002.8](#)  
[609-3404](#) [61062-3](#) [622-0430](#) [622-3653LF](#) [63453-116](#) [636-1030](#) [636-1427](#) [636-3427](#) [636-4007](#) [641938-9](#) [641991-4](#) [644827-2](#) [65817-010LF](#)  
[65817-015LF](#) [65863-015LF](#) [66207-023LF](#) [67095-007LF](#) [67601157](#) [68648-049](#) [70.362.1628.0](#) [70-4210](#) [70-4226B](#) [70-4853B](#) [707-5020](#) [707-5028](#) [71.350.2428.0](#) [71918-208LF](#) [71961-016LF](#) [733-134](#) [733-162](#) [754199-000](#) [760-3052](#) [787-8014-00](#) [79531-3000](#) [FCN-360C032-B](#) [FCN-367T-T012/H](#) [FCN-723D010/2](#) [80.063.4001.1](#) [800-90-001-10-001000](#) [800-90-010-10-002000](#) [801-43-002-10-013000](#) [801-43-006-10-002000](#)