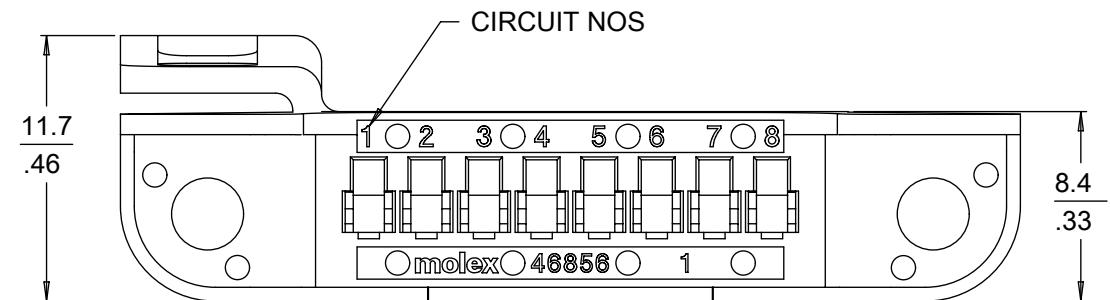
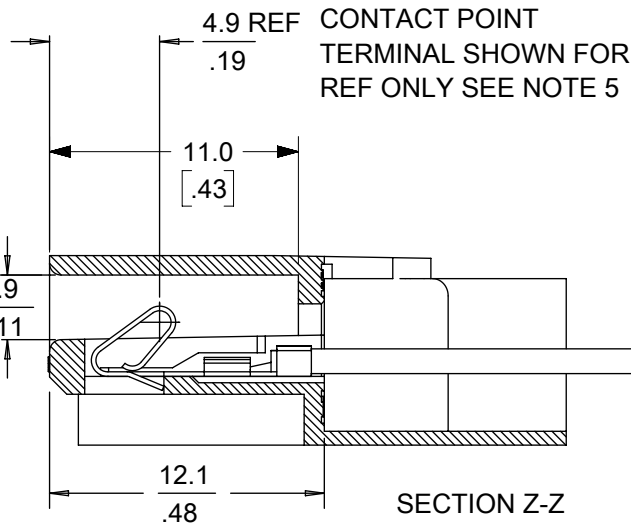
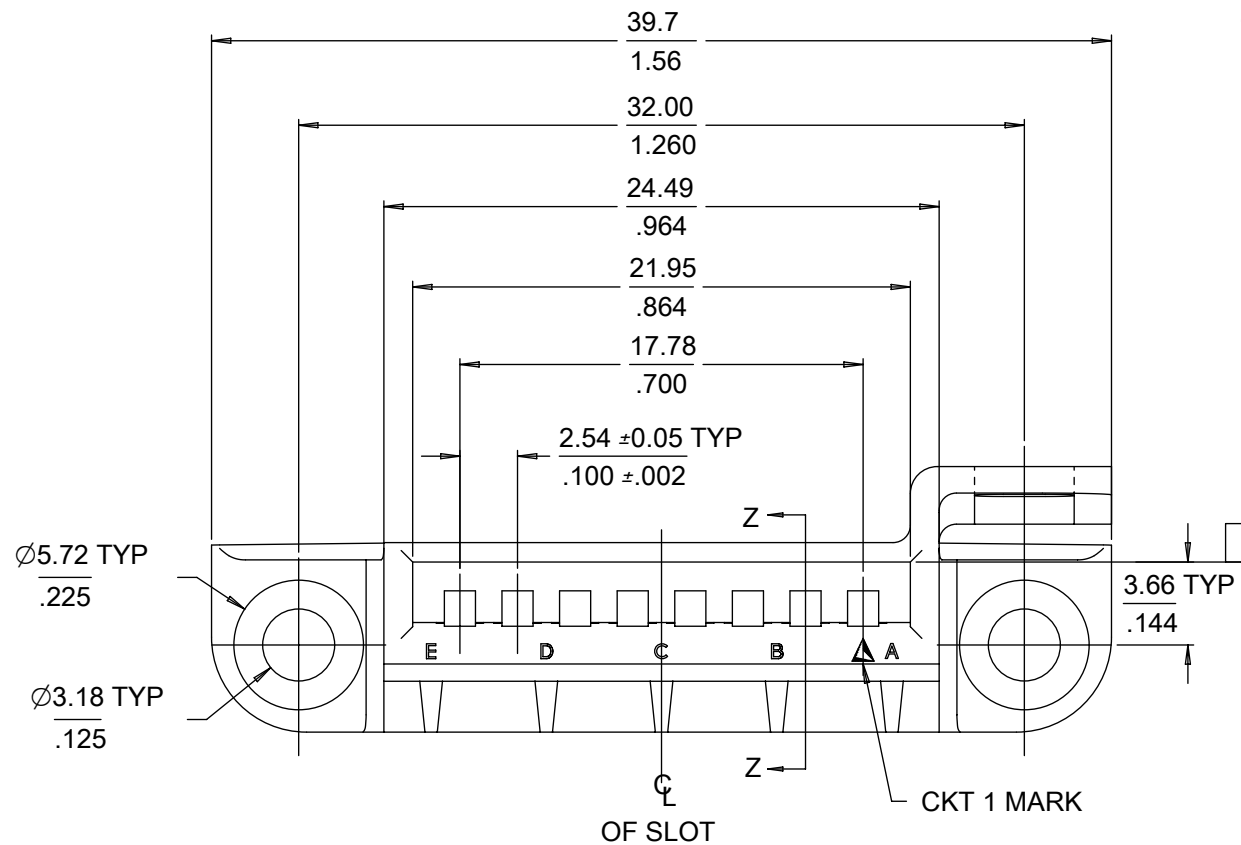
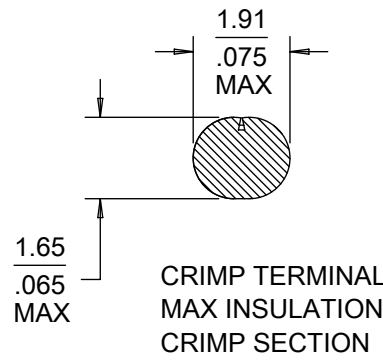


MATERIAL NO	RIB LOCATIONS
46856-0001	A,B,C
46856-0002	A,B,D
46856-0003	A,B,E
46856-0004	B,C,D
46856-0005	B,C,E
46856-0006	C,D,E
46856-0007	B,D,E
46856-0008	A,D,E
46856-0009	A,C,D
46856-0010	A,C,E
46856-0011	NONE



NOTES:

1. MATERIAL: GLASS-FILLED POLYESTER (PBT), UL94V-0, COLOR: BLACK
2. FINISH: NA
3. PRODUCT SPECIFICATION: PS-10-07
4. PACKAGING SPECIFICATION: 468560000-PK
5. HOUSING ACCEPTS TERMINAL NO: 2759 OR 6459 WITH 1.35/.053 MAX INSULATION DIA
6. COSMETIC SPECIFICATION: PS-45499-002 CLASS B
7. PAD DIMENSION IF MAKE-FIRST BREAK-LAST FUNCTION IS DESIRED. CAN BE APPLIED TO ANY CIRCUIT(S).

THIS DRAWING CONTAINS INFORMATION THAT IS PROPRIETARY TO MOLEX ELECTRONIC TECHNOLOGIES, LLC AND SHOULD NOT BE USED WITHOUT WRITTEN PERMISSION

4.65 DIMENSION	2016/11/18	GENERAL TOLERANCES (UNLESS SPECIFIED)		DIMENSION UNITS	SCALE	
	2017/07/28	MM	INCH	MM/IN	3:1	
	2017/07/31	4 PLACES	±	±	DRWN BY: MKIPPER	DATE: 2016/07/28
	EC NO: 112325	3 PLACES	±	± 0.005	CHK'D BY: JBELL	DATE: 2016/07/28
	DRWN: MKIPPER	2 PLACES	± 0.13	± 0.01	APPR BY: FSMITH-ROEMER	DATE: 2016/07/28
	CHK'D: JBELL	1 PLACES	± 0.25	±	DRAWING SIZE: B	
APPR: FSMITH	0 PLACES	±	±	THIRD ANGLE PROJECTION		
REV	ANGULAR TOL ±		DRAFT WHERE APPLICABLE MUST REMAIN WITHIN DIMENSIONS			

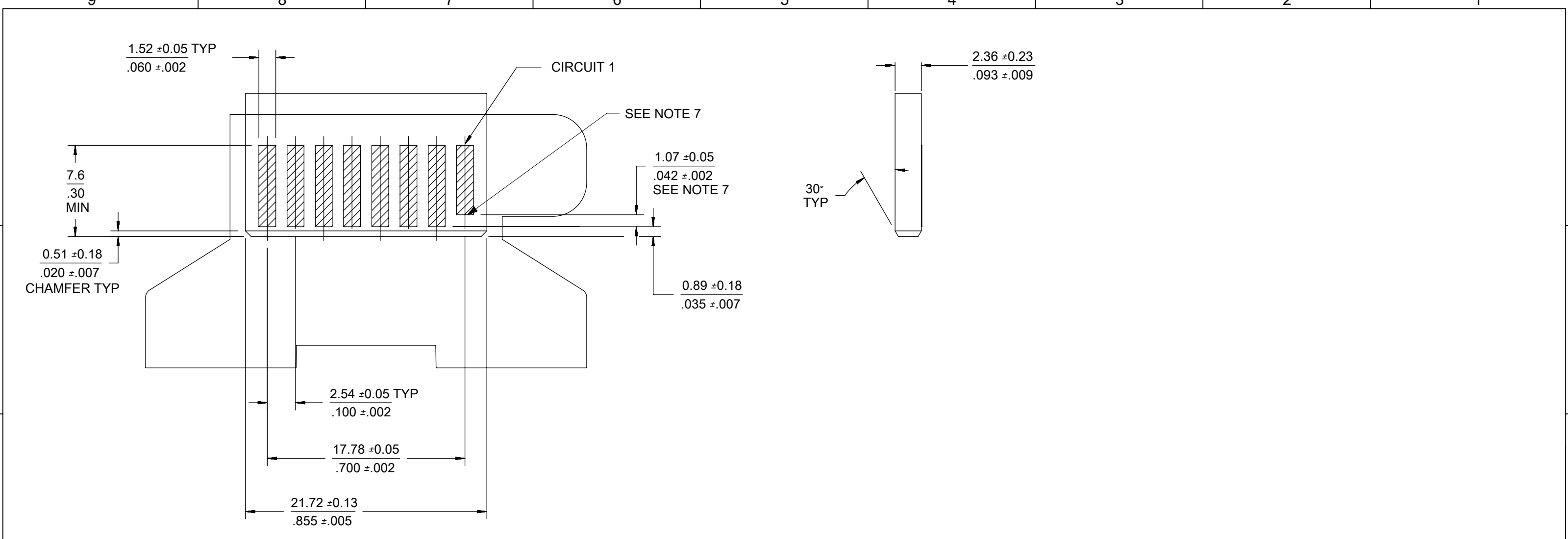
molex

KK EDGE CARD CONNECTOR FOR FAN ASSEMBLY

PRODUCT CUSTOMER DRAWING

SERIES	MATERIAL NUMBER	CUSTOMER
46856	SEE CHART	GENERAL MARKET
DOCUMENT NUMBER	DOC TYPE	DOC PART
468560000-SD	PSD	000
SHEET NUMBER		1 OF 2

SD_MODEL: RCM-46856-0000	RELEASE STATUS	P1	RELEASE DATE	31.07.2017	20:01:30
--------------------------	----------------	----	--------------	------------	----------



PCB LAYOUT: CONTACT SIDE
(AS VIEWED FROM THE
BOTTOM OF PCB)

THIS DRAWING CONTAINS INFORMATION THAT IS PROPRIETARY TO MOLEX ELECTRONIC TECHNOLOGIES, LLC AND SHOULD NOT BE USED WITHOUT WRITTEN PERMISSION

EC NO: 112325 DRWN: MKIPPER CHK'D: JBELL APPR: FSMITH	2016/11/18 2017/07/28 2017/07/31	GENERAL TOLERANCES (UNLESS SPECIFIED)		DIMENSION UNITS	SCALE			
				MM/IN	3:1			
				MM	INCH		DRWN BY	DATE
		4 PLACES	±	±			MKIPPER	2016/07/28
		3 PLACES	±	± 0.005			CHK'D BY	DATE
		2 PLACES	± 0.13	± 0.01			JBELL	2016/07/28
1 PLACES	± 0.25	±		APPR BY	DATE			
0 PLACES	±	±		FSMITH-ROEMER	2016/07/28			
ANGULAR TOL ±				DRAWING SIZE	THIRD ANGLE PROJECTION	PRODUCT CUSTOMER DRAWING SERIES: 46856 MATERIAL NUMBER: SEE CHART CUSTOMER: GENERAL MARKET DOCUMENT NUMBER: 468560000-SD DOC TYPE: PSD DOC PART: 000 SHEET NUMBER: 2 OF 2		
DRAFT WHERE APPLICABLE MUST REMAIN WITHIN DIMENSIONS				B				

RELEASE STATUS	P1	RELEASE DATE	31.07.2017	20:01:30
----------------	----	--------------	------------	----------

X-ON Electronics

Largest Supplier of Electrical and Electronic Components

Click to view similar products for [molex](#) manufacturer:

Other Similar products are found below :

[1201140065](#) [90814-0008](#) [38210-0105](#) [60506-C-50](#) [69008-0971](#) [73108](#) [79516-1043](#) [72903](#) [2002181200](#) [68301-1017](#) [03-12-1016](#) [71506-C](#)
[90835-0003](#) [02-09-8104](#) [880504](#) [67490-3220](#) [53254-0710](#) [85071-0017](#) [70984-4008](#) [03-12-2022](#) [89674-0805](#) [514412093](#) [54596-1010](#)
[0191310031](#) [503308-4410](#) [02-09-6102](#) [0008650814](#) [0039000218](#) [89762-1542](#) [89762-1582](#) [0011404526](#) [00136](#) [0022173102](#) [0026615060](#)
[CR4006A30M003](#) [0039532085](#) [58098-0628](#) [0003092041](#) [0008520123](#) [0011030025](#) [0011184017](#) [0022162060](#) [0022552102](#) [0039302050](#)
[0194180018](#) [01312](#) [M15730061](#) [61432](#) [6150300002](#) [CS63W64](#)