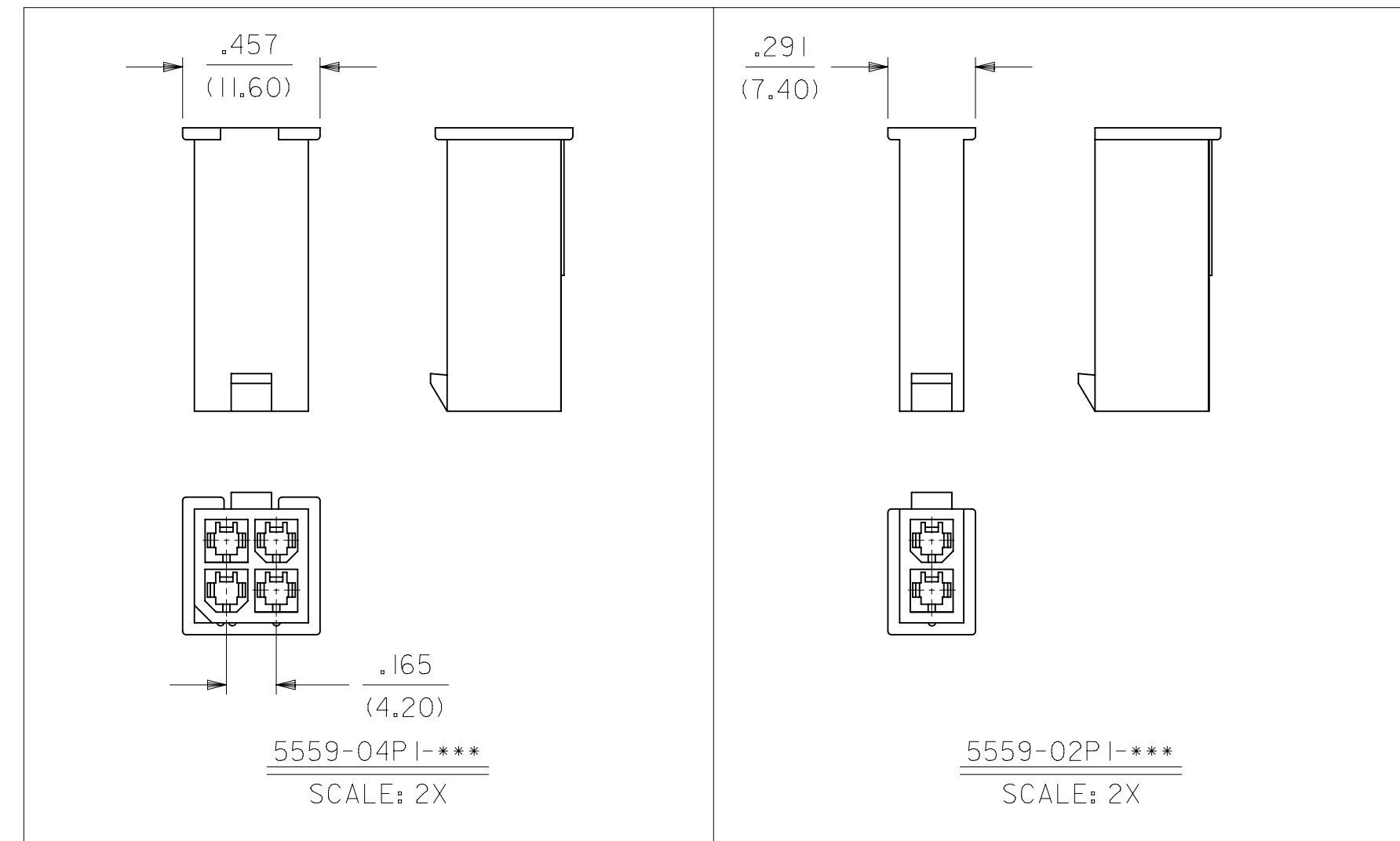


CKT. SIZE	DIM. A	DIM. B
6	.331 (8.40)	.543 (13.80)
8	.496 (12.60)	.709 (18.00)
10	.661 (16.80)	.874 (22.20)
12	.827 (21.00)	1.039 (26.40)
14	.992 (25.20)	1.205 (30.60)
16	1.157 (29.40)	1.370 (34.80)
18	1.323 (33.60)	1.535 (39.00)
20	1.488 (37.80)	1.701 (43.20)
22	1.654 (42.00)	1.866 (47.40)
24	1.819 (46.20)	2.031 (51.60)



NOTES:

- MATERIAL: BLANK=NYLON 6/6, UL 94V-2, COLOR: NATURAL
BL=NYLON 6/6, UL 94V-2, COLOR: BLACK
210=NYLON 6/6, UL 94V-0, COLOR: NATURAL
400=NYLON 6/6, UL 94V-0, COLOR: BLACK
- FINISH: N/A
- PRODUCT SPECIFICATION: PS-5556-001
- PACKAGING SPECIFICATION: PK-5559-002
- THIS PART MATES WITH RECEPTACLE #5557
- THIS PART IS FOR USE WITH MOLEX MALE TERMINAL #5558-*
- PART IS NOT DESIGNED FOR CURRENT SHARING
- CONNECTORS ARE NOT TO BE MATED OR UNMATED WHILE CIRCUITS ARE LIVE
- WIRES ARE TO BE DRESSED IN SUCH A MANNER TO ALLOW THE TERMINALS TO FLOAT FREELY IN THE POCKET
- PART CONFORMS TO CLASS "B" REQUIREMENTS OF COSMETIC SPECIFICATION PS-45499-002 WITH THE EXCEPTION OF DISCOLORATION. FLASH AND SINK MEET CLASS "C" REQUIREMENTS.

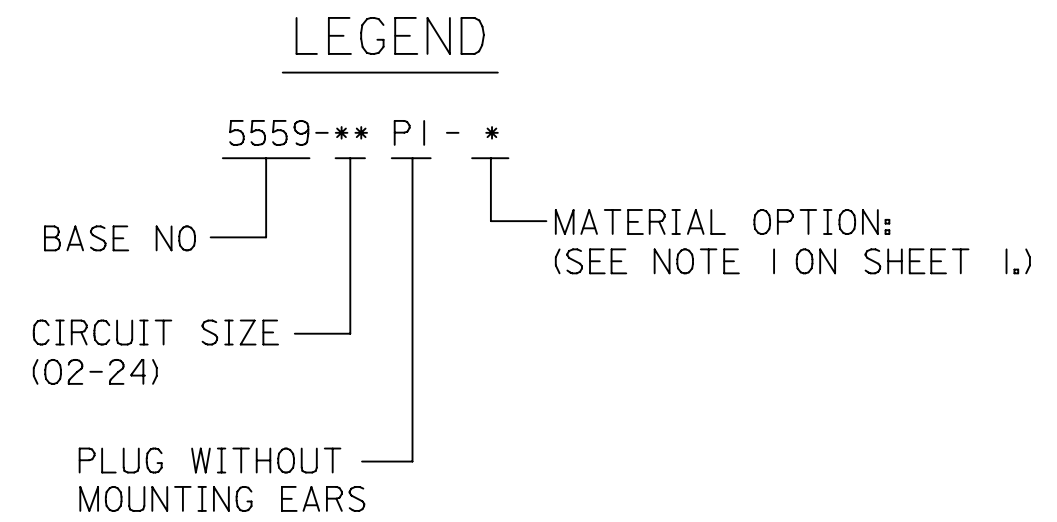
THIS DRAWING CONTAINS INFORMATION THAT IS PROPRIETARY TO MOLEX ELECTRONIC TECHNOLOGIES, LLC AND SHOULD NOT BE USED WITHOUT WRITTEN PERMISSION										
SYMBOLS	DIMENSION UNITS		SCALE		CURRENT REV DESC: MIGRATE TO ECTR					
	IN/MM		4:1		molex MINI FIT JR SERIES PLUG W/O MTG. EARS PRODUCT CUSTOMER DRAWING					
GENERAL TOLERANCES (UNLESS SPECIFIED)										EC NO: 172489 DRWN: AZAHIROVIC 2018/01/24 CHK'D: JBELL 2018/02/20 APPR: FSMITH 2018/02/22
▽ = 0	4 PLACES	±	±	±	INITIAL REVISION: DRWN: RJF 1989/09/22 APPR: ROS 1989/09/22					
▽ = 0	3 PLACES	±	±	± 0.015						
▽ = 0	2 PLACES	±	0.38	±	DOCUMENT NUMBER: 55590001-SD DOC TYPE: PSD DOC PART: 000 REVISION: A					
▽ = 0	1 PLACE	±	±	±						
▽ = 0	0 PLACES	±	±	±	MATERIAL NUMBER: SEE CHART		CUSTOMER: GENERAL MARKET		SHEET NUMBER: 1 OF 2	
■ = 0	DRAFT WHERE APPLICABLE MUST REMAIN WITHIN DIMENSIONS				THIRD ANGLE PROJECTION	DRAWING: C-SIZE	SERIES: 5559			

PART NUMBER	ENG. NUMBER	CIRCUIT SIZE	MATERIAL
39-01-3023	5559-02P I	2	94V-2
39-01-3043	5559-04P I	4	94V-2
39-01-3063	5559-06P I	6	94V-2
39-01-3083	5559-08P I	8	94V-2
39-01-3103	5559-10P I	10	94V-2
39-01-3123	5559-12P I	12	94V-2
39-01-3143	5559-14P I	14	94V-2
39-01-3163	5559-16P I	16	94V-2
39-01-3183	5559-18P I	18	94V-2
39-01-3203	5559-20P I	20	94V-2
39-01-3223	5559-22P I	22	94V-2
39-01-3243	5559-24P I	24	94V-2

PART NUMBER	ENG. NUMBER	CIRCUIT SIZE	MATERIAL
39-01-3029	5559-02P I-2 I O	2	94V-0
39-01-3049	5559-04P I-2 I O	4	94V-0
39-01-3069	5559-06P I-2 I O	6	94V-0
39-01-3089	5559-08P I-2 I O	8	94V-0
39-01-3109	5559-10P I-2 I O	10	94V-0
39-01-3129	5559-12P I-2 I O	12	94V-0
39-01-3149	5559-14P I-2 I O	14	94V-0
39-01-3169	5559-16P I-2 I O	16	94V-0
39-01-3189	5559-18P I-2 I O	18	94V-0
39-01-3209	5559-20P I-2 I O	20	94V-0
39-01-3229	5559-22P I-2 I O	22	94V-0
39-01-3249	5559-24P I-2 I O	24	94V-0

PART NUMBER	ENG. NUMBER	CIRCUIT SIZE	MATERIAL
46999-0275	5559-02P I-400	2	94V-0 BLACK
46999-0276	5559-04P I-400	4	94V-0 BLACK
46999-0277	5559-06P I-400	6	94V-0 BLACK
46999-0278	5559-08P I-400	8	94V-0 BLACK
46999-0279	5559-10P I-400	10	94V-0 BLACK
46999-0280	5559-12P I-400	12	94V-0 BLACK
46999-0281	5559-14P I-400	14	94V-0 BLACK
46999-0282	5559-16P I-400	16	94V-0 BLACK
46999-0283	5559-18P I-400	18	94V-0 BLACK
46999-0284	5559-20P I-400	20	94V-0 BLACK
46999-0285	5559-22P I-400	22	94V-0 BLACK
46999-0286	5559-24P I-400	24	94V-0 BLACK

PART NUMBER	ENG. NUMBER	CIRCUIT SIZE	MATERIAL
39-01-3026	5559-02P1-BL	2	94V-2 BLACK
39-01-3046	5559-04P1-BL	4	94V-2 BLACK
39-01-3066	5559-06P1-BL	6	94V-2 BLACK
39-01-3086	5559-08P1-BL	8	94V-2 BLACK
39-01-3106	5559-10P1-BL	10	94V-2 BLACK
39-01-3126	5559-12P1-BL	12	94V-2 BLACK
39-01-3146	5559-14P1-BL	14	94V-2 BLACK
39-01-3166	5559-16P1-BL	16	94V-2 BLACK



SYMBOLS = 0 = 0 = 0 = 0 = 0 = 0 = 0	THIS DRAWING CONTAINS INFORMATION THAT IS PROPRIETARY TO MOLEX ELECTRONIC TECHNOLOGIES, LLC AND SHOULD NOT BE USED WITHOUT WRITTEN PERMISSION			
	DIMENSION UNITS IN/MM	SCALE 1:1	CURRENT REV DESC: MIGRATE TO ECTR	
	GENERAL TOLERANCES (UNLESS SPECIFIED)		EC NO: 172489 DRWN: AZAHIROVIC 2018/01/24 CHK'D: JBELL 2018/02/20 APPR: FSMITH 2018/02/22	
	4 PLACES ± 3 PLACES ± 0.015 2 PLACES ± 0.38 1 PLACE ± 0 PLACES ±	MM INCH ± ± ± 0.38 ± ± ± ± ±	INITIAL REVISION: DRWN: RJF 1989/09/22 APPR: ROS 1989/09/22	
ANGULAR TOL ± 0.5 ° DRAFT WHERE APPLICABLE MUST REMAIN WITHIN DIMENSIONS	THIRD ANGLE PROJECTION 	DRAWING C-SIZE	SERIES 5559	

MINI FIT JR SERIES
PLUG W/O MTG. EARS

PRODUCT CUSTOMER DRAWING

DOCUMENT NUMBER	DOC TYPE	DOC PART	REVISION
55590001-SD	PSD	000	A

MATERIAL NUMBER	CUSTOMER	SHEET NUMBER
SEE CHART	GENERAL MARKET	2 OF 2

X-ON Electronics

Largest Supplier of Electrical and Electronic Components

Click to view similar products for [Headers & Wire Housings](#) category:

Click to view products by [Molex](#) manufacturer:

Other Similar products are found below :

[892-18-020-10-001101](#) [58102-G61-06LF](#) [582553-1](#) [0009485154](#) [009176003701906](#) [0050291907](#) [LY20-4P-DT1-P1E-BR](#) [02.125.8002.8](#)
[609-3404](#) [61062-3](#) [622-0430](#) [622-3653LF](#) [63453-116](#) [636-1030](#) [636-1427](#) [636-3427](#) [636-4007](#) [641938-9](#) [641991-4](#) [644827-2](#) [65817-010LF](#)
[65817-015LF](#) [65863-015LF](#) [66207-023LF](#) [67095-007LF](#) [67601157](#) [68648-049](#) [70.362.1628.0](#) [70-4210](#) [70-4226B](#) [70-4853B](#) [707-5020](#) [707-5028](#) [71.350.2428.0](#) [71918-208LF](#) [71961-016LF](#) [733-134](#) [733-162](#) [754199-000](#) [760-3052](#) [787-8014-00](#) [79531-3000](#) [FCN-360C032-B](#) [FCN-367T-T012/H](#) [FCN-723D010/2](#) [80.063.4001.1](#) [800-90-001-10-001000](#) [800-90-010-10-002000](#) [801-43-002-10-013000](#) [801-43-006-10-002000](#)