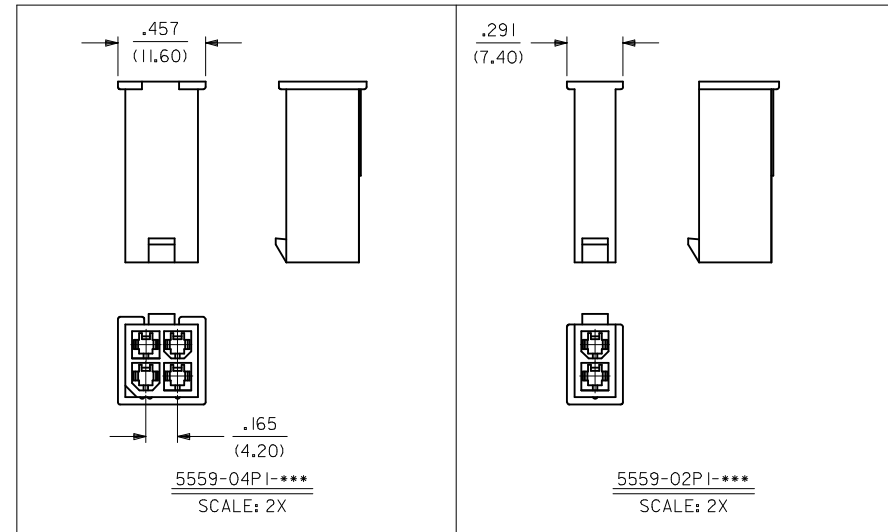
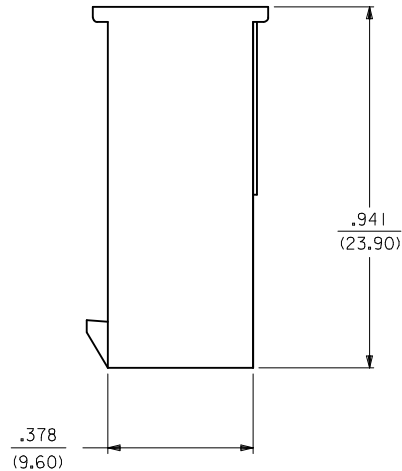


CKT. SIZE	DIM. A	DIM. B
6	.331 (8.40)	.543 (13.80)
8	.496 (12.60)	.709 (18.00)
10	.661 (16.80)	.874 (22.20)
12	.827 (21.00)	1.039 (26.40)
14	.992 (25.20)	1.205 (30.60)
16	1.157 (29.40)	1.370 (34.80)
18	1.323 (33.60)	1.535 (39.00)
20	1.488 (37.80)	1.701 (43.20)
22	1.654 (42.00)	1.866 (47.40)
24	1.819 (46.20)	2.031 (51.60)

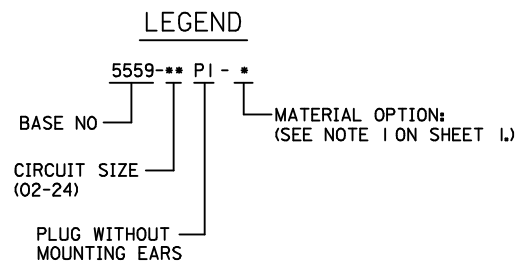


- NOTES:
- MATERIAL: BLANK=NYLON 6/6, UL 94V-2, COLOR: NATURAL  
BL=NYLON 6/6, UL 94V-2, COLOR: BLACK  
210=NYLON 6/6, UL 94V-0, COLOR: NATURAL  
400=NYLON 6/6, UL 94V-0, COLOR: BLACK
  - FINISH: N/A
  - PRODUCT SPECIFICATION: PS-5556-001
  - PACKAGING SPECIFICATION: PK-5559-002
  - THIS PART MATES WITH RECEPTACLE #5557
  - THIS PART IS FOR USE WITH MOLEX MALE TERMINAL #5558-\*
  - PART IS NOT DESIGNED FOR CURRENT SHARING
  - CONNECTORS ARE NOT TO BE MATED OR UNMATED WHILE CIRCUITS ARE LIVE
  - WIRES ARE TO BE DRESSED IN SUCH A MANNER TO ALLOW THE TERMINALS TO FLOAT FREELY IN THE POCKET
  - PART CONFORMS TO CLASS "B" REQUIREMENTS OF COSMETIC SPECIFICATION PS-45499-002 WITH THE EXCEPTION OF DISCOLORATION, FLASH AND SINK MEET CLASS "C" REQUIREMENTS.

<b>OBS - 220 P/NS</b> EC NO: UCP2015-4965 DRWN: MONTI 2015/05/26 CHKD: JBELL 2015/05/26 APPR: FSMITH 2015/06/17 REV: D5	QUALITY SYMBOLS ∇=0 ∇=0 ∇=0	GENERAL TOLERANCES (UNLESS SPECIFIED)		DIMENSION STYLE <b>IN/MM</b>		SCALE <b>4:1</b>	DESIGN UNITS <b>METRIC</b>	THIRD ANGLE PROJECTION		
		mm	INCH	DRAWN BY	DATE	<b>MINI FIT JR SERIES PLUG W/O MTG. EARS</b>				
		4 PLACES ± .015	3 PLACES ± .015	RJF	1989/09/22					
		2 PLACES ± 0.38	1 PLACE ± .015	BAP	1989/09/22	<b>MOLEX INCORPORATED</b>				
ANGULAR ± 1/2°		APPROVED BY	DATE							
DRAFT WHERE APPLICABLE MUST REMAIN WITHIN DIMENSIONS		MATERIAL NO. <b>SEE CHART</b>		DOCUMENT NO. <b>SD-5559-NP1*</b>		SHEET NO. <b>1 OF 2</b>				
THIS DRAWING CONTAINS INFORMATION THAT IS PROPRIETARY TO MOLEX INCORPORATED AND SHOULD NOT BE USED WITHOUT WRITTEN PERMISSION										

13	12	11	10	9	8	7	6	5	4	3	2	1
PART NUMBER	ENG. NUMBER	CIRCUIT SIZE	MATERIAL	PART NUMBER	ENG. NUMBER	CIRCUIT SIZE	MATERIAL	PART NUMBER	ENG. NUMBER	CIRCUIT SIZE	MATERIAL	
39-01-3023	5559-02P I	2	94V-2	39-01-3029	5559-02P I-2 I0	2	94V-0	46999-0275	5559-02P I-400	2	94V-0 BLACK	
39-01-3043	5559-04P I	4	94V-2	39-01-3049	5559-04P I-2 I0	4	94V-0	46999-0276	5559-04P I-400	4	94V-0 BLACK	
39-01-3063	5559-06P I	6	94V-2	39-01-3069	5559-06P I-2 I0	6	94V-0	46999-0277	5559-06P I-400	6	94V-0 BLACK	
39-01-3083	5559-08P I	8	94V-2	39-01-3089	5559-08P I-2 I0	8	94V-0	46999-0278	5559-08P I-400	8	94V-0 BLACK	
39-01-3103	5559-10P I	10	94V-2	39-01-3109	5559-10P I-2 I0	10	94V-0	46999-0279	5559-10P I-400	10	94V-0 BLACK	
39-01-3123	5559-12P I	12	94V-2	39-01-3129	5559-12P I-2 I0	12	94V-0	46999-0280	5559-12P I-400	12	94V-0 BLACK	
39-01-3143	5559-14P I	14	94V-2	39-01-3149	5559-14P I-2 I0	14	94V-0	46999-0281	5559-14P I-400	14	94V-0 BLACK	
39-01-3163	5559-16P I	16	94V-2	39-01-3169	5559-16P I-2 I0	16	94V-0	46999-0282	5559-16P I-400	16	94V-0 BLACK	
39-01-3183	5559-18P I	18	94V-2	39-01-3189	5559-18P I-2 I0	18	94V-0	46999-0283	5559-18P I-400	18	94V-0 BLACK	
39-01-3203	5559-20P I	20	94V-2	39-01-3209	5559-20P I-2 I0	20	94V-0	46999-0284	5559-20P I-400	20	94V-0 BLACK	
39-01-3223	5559-22P I	22	94V-2	39-01-3229	5559-22P I-2 I0	22	94V-0	46999-0285	5559-22P I-400	22	94V-0 BLACK	
39-01-3243	5559-24P I	24	94V-2	39-01-3249	5559-24P I-2 I0	24	94V-0	46999-0286	5559-24P I-400	24	94V-0 BLACK	

PART NUMBER	ENG. NUMBER	CIRCUIT SIZE	MATERIAL
39-01-3026	5559-02P1-BL	2	94V-2 BLACK
39-01-3046	5559-04P1-BL	4	94V-2 BLACK
39-01-3066	5559-06P1-BL	6	94V-2 BLACK
39-01-3086	5559-08P1-BL	8	94V-2 BLACK
39-01-3106	5559-10P1-BL	10	94V-2 BLACK
39-01-3126	5559-12P1-BL	12	94V-2 BLACK
39-01-3146	5559-14P1-BL	14	94V-2 BLACK
39-01-3166	5559-16P1-BL	16	94V-2 BLACK



<b>SEE SHEET 1</b> EC NO: UCP2015-4965 DRAWN: JNONT 2015/05/26 CHKD: JBELL 2015/05/26 APPR: FSMTH 2015/06/17 REV: D5	QUALITY SYMBOLS 	GENERAL TOLERANCES (UNLESS SPECIFIED) <table border="1"> <tr> <th></th> <th>mm</th> <th>INCH</th> </tr> <tr> <td>4 PLACES</td> <td>± .015</td> <td>± .0006</td> </tr> <tr> <td>3 PLACES</td> <td>± .015</td> <td>± .0006</td> </tr> <tr> <td>2 PLACES</td> <td>± 0.38</td> <td>± .015</td> </tr> <tr> <td>1 PLACE</td> <td>± .015</td> <td>± .0006</td> </tr> </table>		mm	INCH	4 PLACES	± .015	± .0006	3 PLACES	± .015	± .0006	2 PLACES	± 0.38	± .015	1 PLACE	± .015	± .0006	DIMENSION STYLE <b>IN/MM</b> DRAWN BY: RJF DATE: 1989/09/22 CHECKED BY: BAP DATE: 1989/09/22 APPROVED BY: ROS DATE: 1989/09/22	SCALE: 1:1 DESIGN UNITS: METRIC THIRD ANGLE PROJECTION	TITLE: <b>MINI FIT JR SERIES          PLUG W/O MTG. EARS</b>
		mm	INCH																	
	4 PLACES	± .015	± .0006																	
	3 PLACES	± .015	± .0006																	
2 PLACES	± 0.38	± .015																		
1 PLACE	± .015	± .0006																		
DRAFT WHERE APPLICABLE MUST REMAIN WITHIN DIMENSIONS		MATERIAL NO. SEE CHART DOCUMENT NO. SD-5559-NP1*	SHEET NO. 2 OF 2	THIS DRAWING CONTAINS INFORMATION THAT IS PROPRIETARY TO MOLEX INCORPORATED AND SHOULD NOT BE USED WITHOUT WRITTEN PERMISSION																

## X-ON Electronics

Largest Supplier of Electrical and Electronic Components

*Click to view similar products for [Headers & Wire Housings](#) category:*

*Click to view products by [Molex](#) manufacturer:*

Other Similar products are found below :

[892-18-020-10-001101](#) [58102-G61-06LF](#) [582553-1](#) [0009485154](#) [009176003701906](#) [0050291907](#) [LY20-4P-DT1-P1E-BR](#) [02.125.8002.8](#)  
[609-3404](#) [61062-3](#) [622-0430](#) [622-3653LF](#) [63453-116](#) [636-1030](#) [636-1427](#) [636-3427](#) [636-4007](#) [641938-9](#) [641991-4](#) [644827-2](#) [65817-010LF](#)  
[65817-015LF](#) [65863-015LF](#) [66207-023LF](#) [67095-007LF](#) [67601157](#) [68648-049](#) [70.362.1628.0](#) [70-4210](#) [70-4226B](#) [70-4853B](#) [707-5020](#) [707-](#)  
[5028](#) [71.350.2428.0](#) [71918-208LF](#) [71961-016LF](#) [733-134](#) [733-162](#) [754199-000](#) [760-3052](#) [787-8014-00](#) [79531-3000](#) [FCN-360C032-B](#) [FCN-](#)  
[367T-T012/H](#) [FCN-723D010/2](#) [80.063.4001.1](#) [800-90-001-10-001000](#) [800-90-010-10-002000](#) [801-43-002-10-013000](#) [801-43-006-10-002000](#)