

PLEASE CHECK WWW.MOLEX.COM FOR LATEST PART INFORMATION

Part Number: **0471281000**
Status: **Active**
Overview: Slimline Serial ATA ODD Connectors
Description: 1.27mm Pitch Crimp Terminal for Serial ATA Power Cable Receptacle, Gold (Au) Flash Plating, Lead free

Documents:

[3D Model](#) [RoHS Certificate of Compliance \(PDF\)](#)
[Drawing \(PDF\)](#)

General

| | |
|-------------------------|--|
| Product Family | Crimp Terminals |
| Series | 47128 |
| Application | Signal, Wire-to-Board |
| Crimp Quality Equipment | Yes |
| Overview | Slimline Serial ATA ODD Connectors |
| Product Name | Serial ATA, Slimline Serial ATA |
| UPC | 822348344185 |

Physical

| | |
|--------------------------------|----------------------|
| Durability (mating cycles max) | 50 |
| Gender | Female |
| Material - Metal | Phosphor Bronze |
| Material - Plating Mating | Gold |
| Material - Plating Termination | Tin |
| Net Weight | 160.067/mg |
| Packaging Type | Reel |
| Termination Interface: Style | Crimp or Compression |
| Wire Insulation Diameter | 2.20-1.60mm |
| Wire Size AWG | 18, 20, 22, 24 |
| Wire Size mm ² | 2.00-3.79 |

Electrical

| | |
|-------------------------------|--------|
| Current - Maximum per Contact | 1.5A |
| Voltage - Maximum | 15V DC |

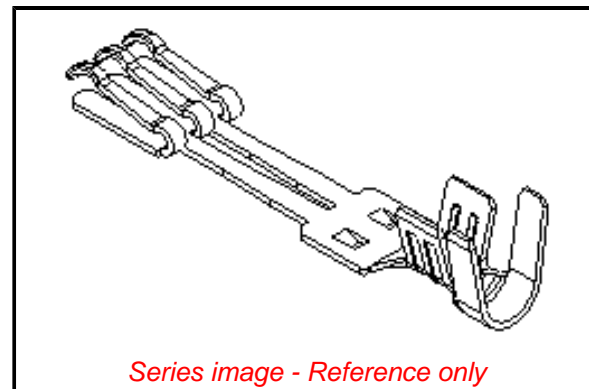
Solder Process Data

| | |
|------------------------------|------|
| Lead-free Process Capability | WAVE |
|------------------------------|------|

Material Info

Reference - Drawing Numbers

| | |
|---------------------|--------------|
| Crimp Specification | CS-47128-001 |
| Sales Drawing | SD-47128-001 |



EU ELV

Not Relevant

EU RoHS

Compliant

REACH SVHC

Not Contained Per
-ED/88/2018 (15
January 2019)

Halogen-Free

Status

Low-Halogen

For more information, please visit [Contact US](#)

China ROHS

ELV

RoHS Phthalates

China RoHS

Green Image

Not Relevant

Not Contained

Search Parts in this Series

[47128 Series](#)

Use With

[67582](#) Crimp Housing for Serial ATA Power Cable Receptacle

PLEASE CHECK WWW.MOLEX.COM FOR LATEST PART INFORMATION

X-ON Electronics

Largest Supplier of Electrical and Electronic Components

Click to view similar products for [I/O Connectors](#) category:

Click to view products by [Molex](#) manufacturer:

Other Similar products are found below :

[571763P](#) [58098-0628](#) [72.250.1628.2](#) [72.250.2428.2](#) [74720-0505](#) [76.350.0729.0](#) [76871-1403](#) [FCN-244F080-G/1](#) [FCN-260A9920](#) [PCR-E36PM](#) [PCS-XE26MA+](#) [G38A71314B](#) [1571250010](#) [157-22500-3](#) [MS3471L14-19P L/C](#) [192991-0703](#) [172501-4002](#) [172501-6002](#) [FCN-260C008-A/L0](#) [FCN-260C024-AL0](#) [FCN-261Z008](#) [2000314-1](#) [200331-1](#) [PCR-E36FC+](#) [PCS-E28FS+](#) [PCS-XE26SLFD+](#) [PCS-XE26SLFDT+](#) [G730VID08BDC24](#) [U90B2054081210](#) [UE86K842720321](#) [38113800006](#) [DP3AR020WQ1R200](#) [Z4.102.0680.0](#) [500-1040](#) [500-1052](#) [500-1054](#) [ZP-4008-66L](#) [0709821002](#) [DX40-20P\(55\)](#) [5554841-1](#) [MS3474W18-8P-LC*](#) [U90B3054061110](#) [U65-E04-4020](#) [ZPF00000000097891](#) [747360449](#) [10099439-003C-TRLF](#) [10137239-0021LF](#) [E9320-001-01](#) [10137239-0011LF](#) [70289-001LF](#)