

**PLEASE CHECK WWW.MOLEX.COM FOR LATEST PART INFORMATION**

**Part Number:** [0473461015](#)  
**Status:** **Active**  
**Overview:** [USB Products and Solutions](#)  
**Description:** Micro-USB B Receptacle without Flange, Bottom Mount, Surface Mount, Lead-Free

**Documents:**

[3D Model](#) [Packaging Specification PK-47346-002-001 \(PDF\)](#)  
[Drawing \(PDF\)](#) [RoHS Certificate of Compliance \(PDF\)](#)  
[Product Specification PS-47642-001-001 \(PDF\)](#)

**Agency Certification**

UL E107635

**General**

Product Family I/O Connectors  
 Series [47346](#)  
 Application Wire-to-Board  
 Comments Signal contacts 1.0A, Power contacts 1.8A  
 Component Type Receptacle  
 Overview [USB Products and Solutions](#)  
 Product Name USB 2.0  
 Type Micro-B  
 UPC 887191572710

**Physical**

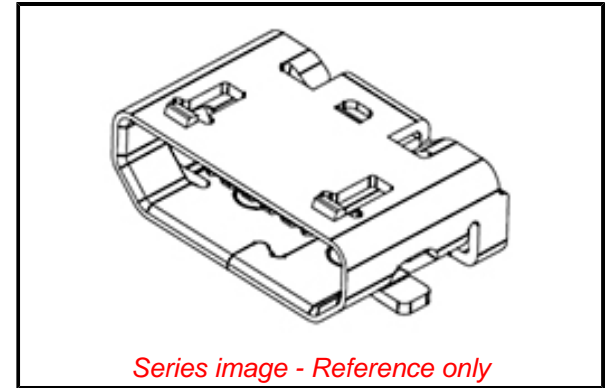
Circuits (Loaded) 5  
 Color - Resin Black  
 Durability (mating cycles max) 10000  
 Flammability 94V-0  
 Gender Receptacle  
 Keying to Mating Part Yes  
 Lock to Mating Part No  
 Material - Metal Copper Alloy  
 Material - Plating Mating Gold over Palladium Nickel  
 Material - Plating Termination Gold  
 Material - Resin Liquid Crystal Polymer  
 Net Weight 0.263/g  
 Number of Rows 1  
 Orientation Right Angle  
 PCB Retention None  
 Packaging Type Embossed Tape on Reel  
 Panel Mount No  
 Pitch - Mating Interface 0.65mm  
 Pitch - Termination Interface 0.65mm  
 Polarized to Mating Part Yes  
 Ports 1  
 Surface Mount Compatible (SMC) Yes  
 Temperature Range - Operating -30° to +85°C  
 Termination Interface: Style Surface Mount  
 Waterproof / Dustproof No

**Electrical**

Current - Maximum per Contact 1.8A, 1.0A  
 Voltage - Maximum 30V AC (RMS)

**Material Info**

**Reference - Drawing Numbers**



**EU ELV**

**Not Relevant**

**EU RoHS**

**Compliant**

**REACH SVHC**

Not Contained Per  
 -ED/01/2018 (15  
 January 2018)

**Halogen-Free**

**Status**

**Low-Halogen**

For more information, please visit [Contact US](#)

China ROHS

ELV

RoHS Phthalates

**China RoHS**

Green Image

Not Relevant

Not Contained

**Search Parts in this Series**

[47346 Series](#)

Packaging Specification  
Product Specification  
Sales Drawing

PK-47346-002-001  
PS-47642-001-001  
SD-47346-115-000

This document was generated on 09/21/2018

**PLEASE CHECK [WWW.MOLEX.COM](http://WWW.MOLEX.COM) FOR LATEST PART INFORMATION**

## X-ON Electronics

Largest Supplier of Electrical and Electronic Components

*Click to view similar products for [USB Connectors](#) category:*

*Click to view products by [Molex](#) manufacturer:*

Other Similar products are found below :

[65-647-8-BK-BU](#) [950](#) [952](#) [E8144-B01021-L](#) [A-USB A-LP-SMT-C](#) [MUSBA511N5](#) [MUSBD11135](#) [217450-1](#) [CA 6 W LD](#) [KMBVX-TH-5S-B30](#) [896-30-004-00-000000](#) [KUSBVX-BS1N-W30](#) [KUSBX-AP-KIT-SCBLK](#) [KUSBX-AS2N-W](#) [KUSBX-SMT2AP1S-W](#) [KUSBX-SMT2AP1S-W30](#) [935](#) [957](#) [30-498-6](#) [17-210051](#) [1734082-1](#) [30-1574](#) [30-470](#) [30-489](#) [30-541](#) [30-572-3](#) [MAB 8 SN V](#) [A-USB A-2P-C](#) [MIKROE-1451](#) [USBFTV2PEM2G](#) [USBFTVC6ZN](#) [KUSBX-AS2N-W30](#) [KUSBX-SLAS1N-W](#) [KUSBX-SMT-AS1N-W30](#) [4689-1](#) [1-1734084-2](#) [E8110-001-01](#) [MUSBA81130](#) [33UBARS1-04SW11](#) [33UBAR-04SW11](#) [USBF21ZNSCC](#) [USBBFTV6ZC](#) [10135326-001LF](#) [M9177/3-1](#) [USB-A-S-F-B-VT](#) [925](#) [4198](#) [690-024-633-031](#) [KUSBEX-BSFS1N-W](#) [USBFTVC6MRG](#)