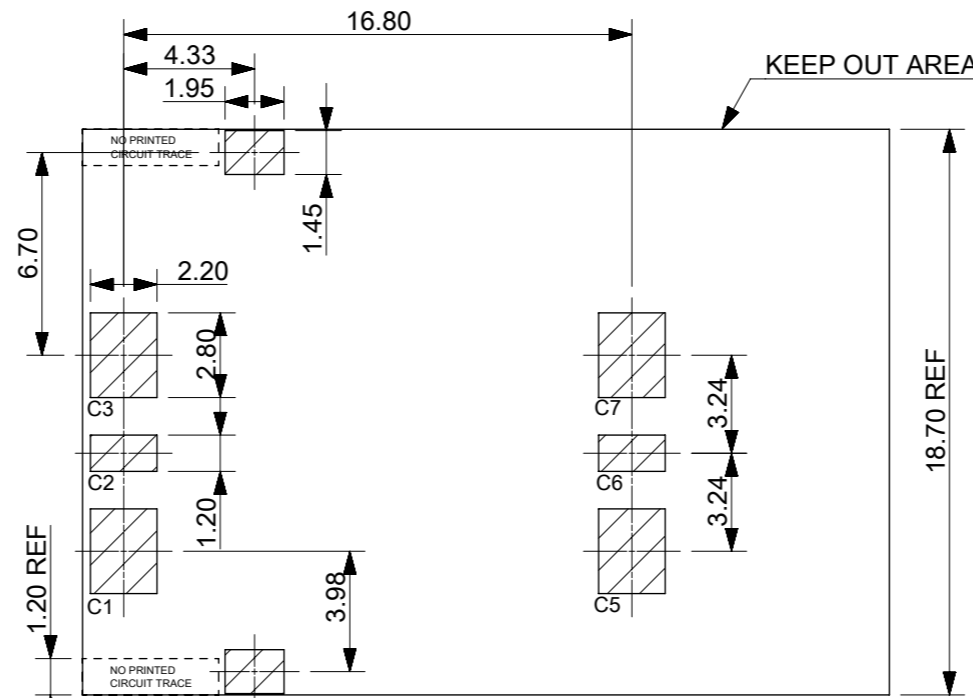
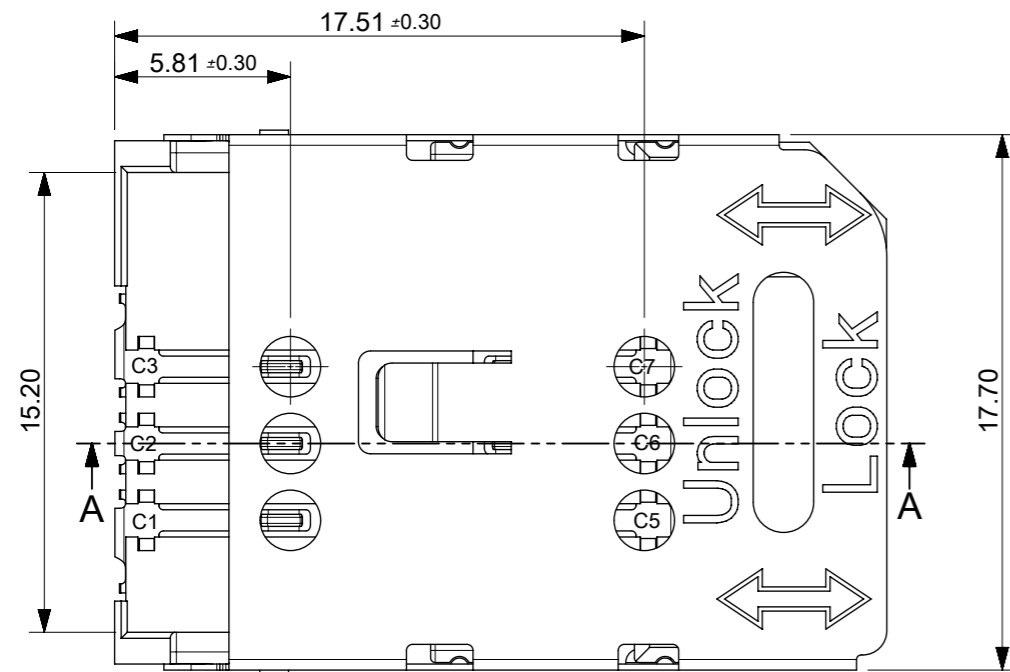
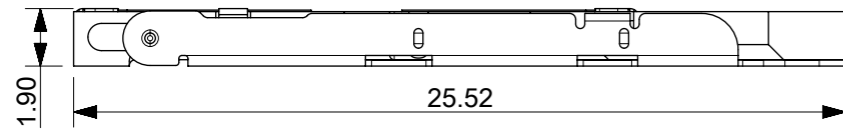
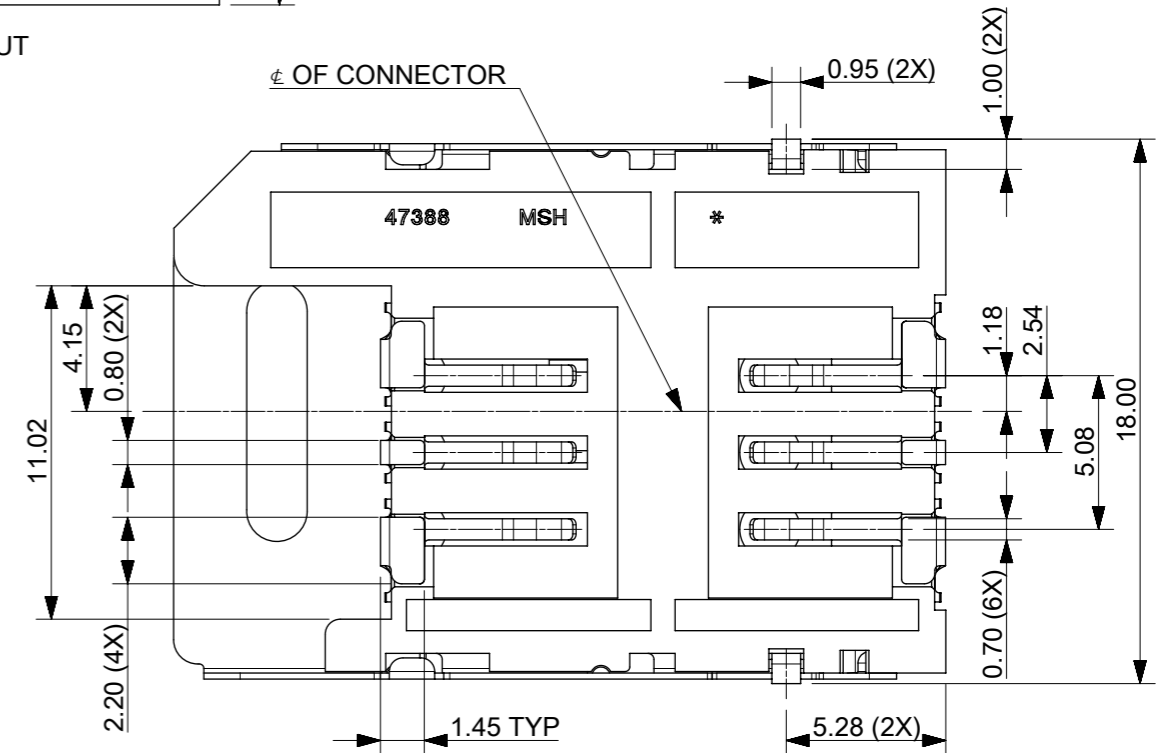
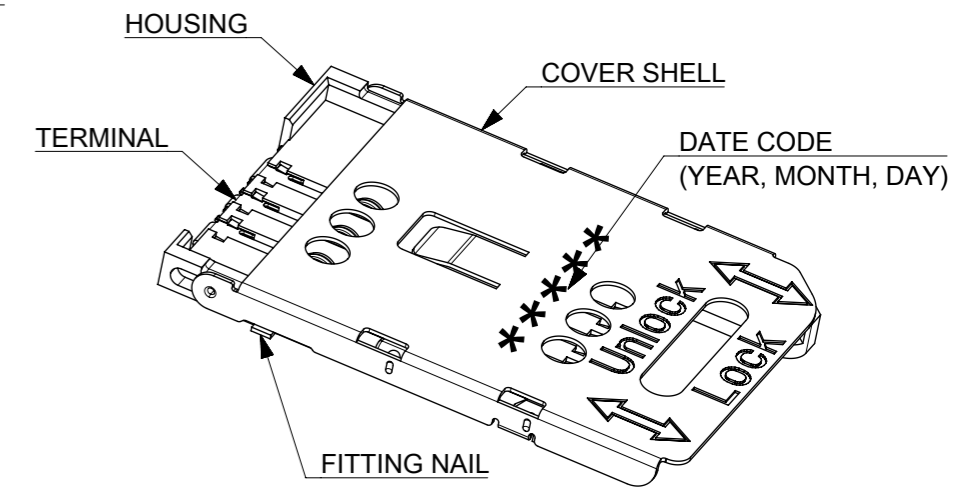
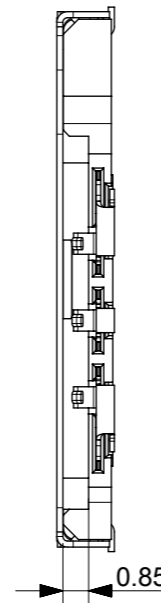


SECTION A-A



RECOMMENDED PCB LAYOUT  
TOLERANCE: ±0.05mm



NOTES:

1. MATERIALS:

- HOUSING: LCP, GLASS FILLED, UL 94V-0, COLOR: BLACK.
- TERMINAL: PHOSPHOR BRONZE, THICKNESS: 0.15mm.
- COVER SHELL: STAINLESS STEEL, THICKNESS: 0.20mm.
- FITTING NAIL: BRASS, THICKNESS: 0.20mm.

2. FINISH:

- TERMINAL: CONTACT AREA: 0.75MICRON MIN GOLD PLATE OVER 1.27MICRON MIN NICKEL. SOLDER AREA: 3.8MICRON MIN TIN PLATE OVER 1.27MICRON MIN NICKEL.
- FITTING NAIL: 2.54MICRON MIN TIN OVER 1.27MICRO MIN NICKEL OVERALL.

3. COPLANARITY: 0.10mm MAX AMONG ALL SOLDER TAILS.

4. PRODUCT SPECIFICATION: PS-47388-001.

5. PACKAGING SPECIFICATION: PK-47388-001.

THIS DRAWING CONTAINS INFORMATION THAT IS PROPRIETARY TO MOLEX ELECTRONIC TECHNOLOGIES, LLC AND SHOULD NOT BE USED WITHOUT WRITTEN PERMISSION

REDESIGN ROLL PIN	EC NO: 116683	2016/11/03	GENERAL TOLERANCES (UNLESS SPECIFIED)	DIMENSION UNITS	SCALE				
	DRWN: KP SI	2016/11/02	ANGULAR TOL ± 3.0 °	MM	NTS				
	CHK'D: XQZHANG	2017/05/26	4 PLACES ±	DRWN BY	DATE				
	APPR: AYIN		3 PLACES ±	YWANG	2006/01/04				
			2 PLACES ± 0.25	CHK'D BY	DATE	SALES DRAWING FOR 1.90MM SIM CARD READER CONNECTOR			
			1 PLACE ± 0.25	XIXU	2006/08/02				
			0 PLACES ±	APPR BY	DATE				
			DRAFT WHERE APPLICABLE MUST REMAIN WITHIN DIMENSIONS	JNCHEN	2006/08/03				
				DRAWING SIZE	THIRD ANGLE PROJECTION	PRODUCT CUSTOMER DRAWING			
				A3		SERIES	MATERIAL NUMBER	CUSTOMER	
						47388	473880001	GENERAL MARKET	
						DOCUMENT NUMBER	DOC TYPE	DOC PART	SHEET NUMBER
						SD-47388-001	PSD	000	1 OF 1

RELEASE STATUS	RELEASE DATE
----------------	--------------

## X-ON Electronics

Largest Supplier of Electrical and Electronic Components

*Click to view similar products for [Memory Card Connectors](#) category:*

*Click to view products by [Molex](#) manufacturer:*

Other Similar products are found below :

[M21-033321-005](#) [6407-249V-25273P](#) [6407-249V-25343P](#) [6426-201-21343](#) [69.920.0553.0](#) [FCN-568P068-G/07-4V](#) [809180410000000](#)  
[N7E50-7516PG-20-WF](#) [2041353-2](#) [33CFAE-DN](#) [502431-1011](#) [EN2997S61212BN](#) [EN2997SE61212BN](#) [617230001](#) [95622-003LF](#) [N7E50-](#)  
[U516RB-50-SIN0005](#) [95079-00CALF](#) [33DVIR-29S12R](#) [125A-78C00](#) [MI20A-50PD-SF-EJL\(71\)](#) [KP10S-SF-PEJ\(812\)](#) [504536-0691](#) [504580-](#)  
[0691](#) [CCM03-3109 B LFT](#) [MI21-50PD-SF\(91\)](#) [2309923-1](#) [61126-050CAHLF](#) [IC1GA-68PD-1.27DS-EJ\(72\)](#) [GTFP08432B1HR](#)  
[G85DT17001P1EU](#) [G85B21611142HHR](#) [GSD090144HR](#) [G85D1140022P1HR](#) [GMCB05801124EU](#) [G85C11101152HHR](#)  
[G85B231021B1HR](#) [G85D1160022HHR](#) [055036006202862+](#) [112K-TAA0-RA1](#) [115S-ACA2](#) [115S-ACA3](#) [115S-BS00](#) [115S-BT00](#) [115V-](#)  
[AD00](#) [MCSP-Q1-08-A-SG-T/R](#) [503960-0695](#) [101B-TAA0-R](#) [101D-TAAA-R01](#) [101D-TAAB-R01](#) [104D-TCA0-R06](#)