

PLEASE CHECK WWW.MOLEX.COM FOR LATEST PART INFORMATION

Part Number: [0475891001](#)
Status: **Active**
Overview: [USB Products and Solutions](#)
Description: Micro-USB AB Receptacle, Bottom-Mount, Surface Mount, Matte Tin Plated Shell, Lead-Free

Documents:

[3D Model](#) [Packaging Specification PK-47589-001 \(PDF\)](#)
[Drawing \(PDF\)](#) [RoHS Certificate of Compliance \(PDF\)](#)
[Product Specification PS-47589-001-001 \(PDF\)](#)

Agency Certification

UL E107635

General

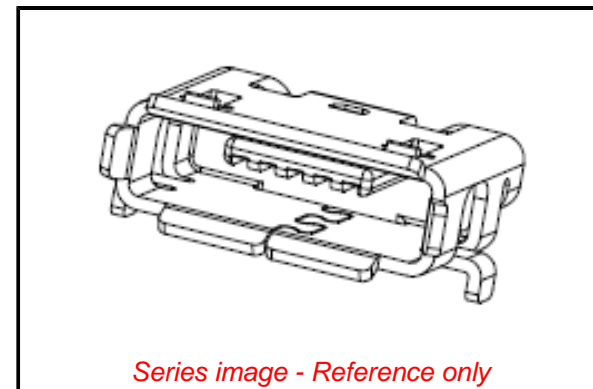
Product Family I/O Connectors
 Series [47589](#)
 Application Wire-to-Board
 Comments Signal contacts 1.0A, Power contacts 1.8A, Signal contacts 1.0A, Power contacts 1.8A
 Component Type Receptacle
 Overview [USB Products and Solutions](#)
 Product Name USB 2.0
 Type Micro-AB
 UPC 884982783751

Physical

Boot Color N/A
 Circuits (Loaded) 5
 Circuits (maximum) 5
 Color - Resin Gray
 Durability (mating cycles max) 10000
 Flammability 94V-0
 Gender Female
 Keying to Mating Part Yes
 Lock to Mating Part No
 Material - Metal Copper Alloy
 Material - Plating Mating Gold
 Material - Plating Termination Gold
 Material - Resin High Temperature Thermoplastic
 Net Weight 0.263/g
 Number of Rows 1
 Orientation Right Angle
 PCB Retention None
 Packaging Type Embossed Tape on Reel
 Panel Mount No
 Pitch - Mating Interface 0.65mm
 Pitch - Termination Interface 0.65mm
 Polarized to Mating Part Yes
 Ports 1
 Surface Mount Compatible (SMC) Yes
 Temperature Range - Operating -30° to +85°C
 Termination Interface: Style Surface Mount
 Waterproof / Dustproof No

Electrical

Current - Maximum per Contact 1.8A, 1.0A



Series image - Reference only

EU ELV

Not Relevant

EU RoHS

Compliant

REACH SVHC

Not Contained Per
 -ED/88/2018 (15
 January 2019)

Halogen-Free

Status

Low-Halogen

For more information, please visit [Contact US](#)

China ROHS

ELV

RoHS Phthalates

China RoHS

Green Image

Not Relevant

Not Contained

Search Parts in this Series

[47589 Series](#)

Grounding to Panel	Yes
Shield Type	Full Shield
Shielded	Yes
Voltage - Maximum	30V AC (RMS)

Solder Process Data

Duration at Max. Process Temperature (seconds)	003
Lead-free Process Capability	REFLOW
Max. Cycles at Max. Process Temperature	001
Process Temperature max. C	245

Material Info**Reference - Drawing Numbers**

Packaging Specification	PK-47589-001
Product Specification	PS-47589-001-001
Sales Drawing	SD-47589-101

This document was generated on 08/13/2019

PLEASE CHECK WWW.MOLEX.COM FOR LATEST PART INFORMATION

X-ON Electronics

Largest Supplier of Electrical and Electronic Components

Click to view similar products for [HDMI, Displayport & DVI Connectors](#) category:

Click to view products by [Molex](#) manufacturer:

Other Similar products are found below :

[1775247-3](#) [2-1932649-5](#) [30-1231](#) [30-528](#) [2069485-1](#) [30-504](#) [30-519](#) [30-542](#) [47648-2000](#) [2002-400](#) [1453G1](#) [769-103/021-000](#) [1932649-1](#)
[233-368NFG6-17NH](#) [G45A19071083HR](#) [233-360NF00-17NH](#) [CP30200GM3B](#) [HYC02-DVI29-371](#) [P136-06NHDV4KBP](#) [CP30116](#)
[LTWDID-29PFFS-SL8001](#) [46765-1301](#) [1211-0010-201-001](#) [47271-1004](#) [32-1121-BU](#) [DS1117-BN0-TME-002](#) [MHDR2A11004BP](#)
[EHHDMI2PKG](#) [1903015-3](#) [DS1114-BN0](#) [WPUSBAF](#) [500254-1931](#) [HDMR-19-01-F-SM](#) [47151-1071](#) [1747981-1](#) [0480372000](#) [0482580001](#)
[D121073-19](#) [472710111](#) [HDMI-S-RA6-SMT-MF-15](#) [P142-000-UP](#) [P134-003](#) [P120-08N](#) [KDMIX-FS1V-WS-B](#) [P142-000-UD](#) [10029449-](#)
[101RLF](#) [P132-000](#) [P130-000](#) [P142-06N-MICRO](#) [P142-000-MINI](#)