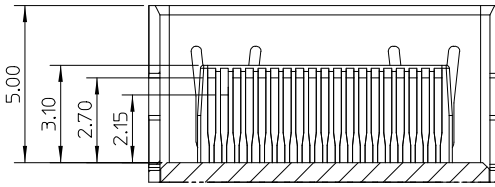
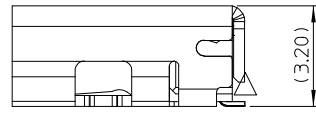
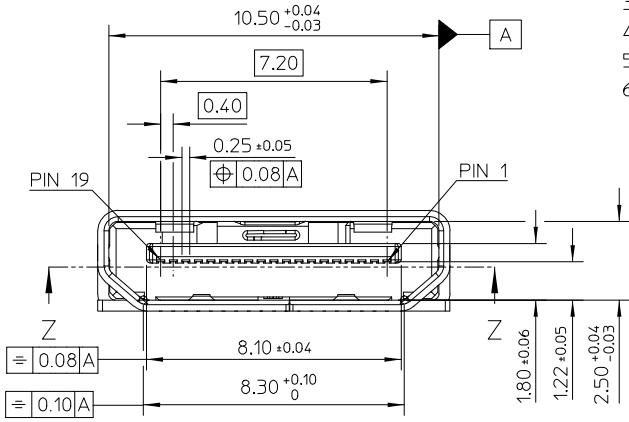
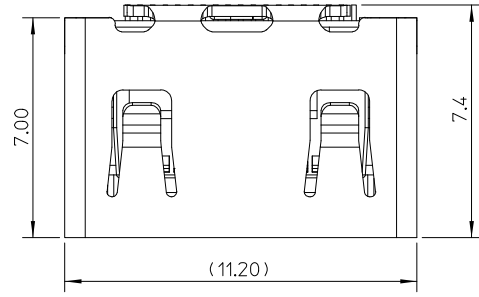
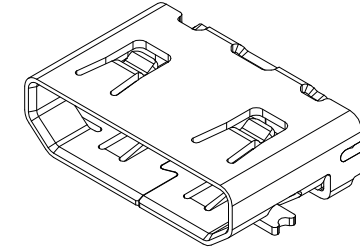


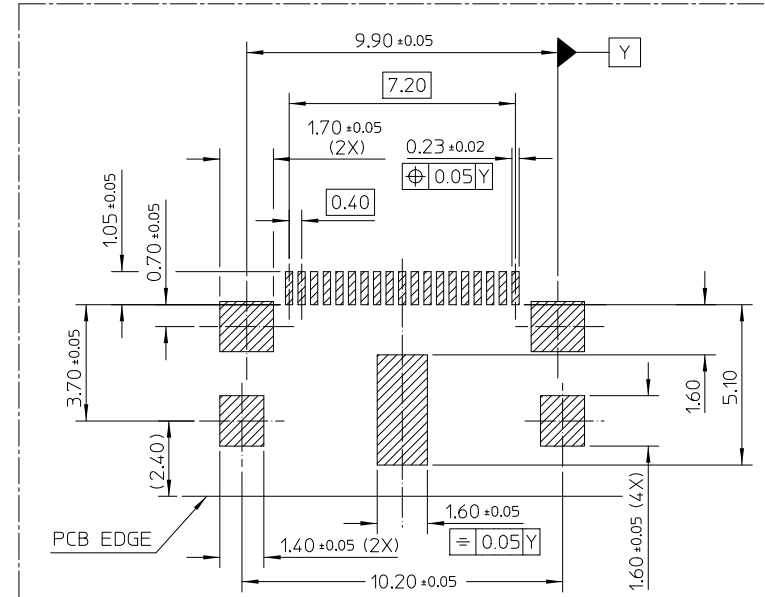
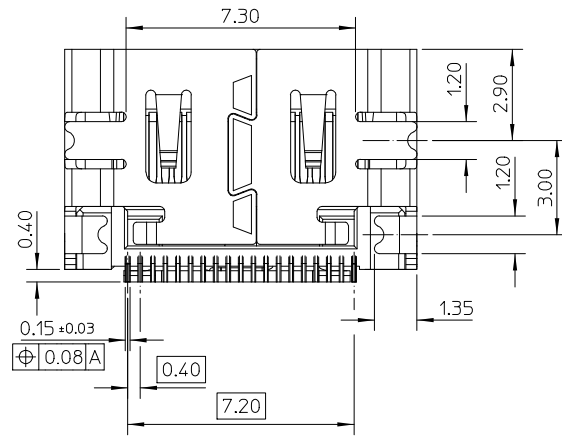
NOTES:

1. MATERIAL:
HOUSING: HIGH TEMPERATURE THERMAL PLASTIC. COLOR: BLACK.
TERMINAL: COPPER ALLOY.
SHELL: STAINLESS STEEL.
2. PLATING:
TERMINAL:
CONTACT AREA: SEE TABLE.
SOLDER AREA: 0.05 MICRON MIN. GOLD PLATING.
UNDER PLATE: 2.0 MICRON MIN. NICKEL.
SHELL:
1.27 MICRON MIN. MATTE TIN OVERALL.
UNDER PLATE: 1.27 MICRON MIN. NICKEL.
3. SOLDER TAIL COPLANARITY: 0.08mm MAX.
4. PRODUCT SPECIFICATION REFER TO PS-47648-001.
5. PACKAGE SPECIFICATION REFER TO PK-47648-001.
6. PRODUCT COMPLIANT TO RoHS DIRECTIVE 2002/95/EC AND ELV DIRECTIVE 2000/53/EC.



SECTION C-C

P/N	CONTACT AREA PLATING SPEC.
47648-2020	GOLD FLASH
47648-2010	15 MICRONS MIN. GOLD PLATING
47648-2000	30 MICRONS MIN. GOLD PLATING



RECOMMENDED PCB LAYOUT
CONNECTOR SIDE

NEW RELEASE EC NO: U1 DRWN:XJSONG 2008/11/10 CHKD: APPR:	DESCRIPTION QUALITY SYMBOLS ▽=0 ▽=0	GENERAL TOLERANCES (UNLESS SPECIFIED)		DIMENSION STYLE MM ONLY		SCALE 1:1	DESIGN UNITS METRIC	THIRD ANGLE PROJECTION		
		4 PLACES ± --- ± ---	3 PLACES ± --- ± ---	2 PLACES ± 0.10 ± ---	1 PLACE ± 0.20 ± ---	DRAWN BY CHEN B0	DATE 2008/03/10	TITLE MINI HDMI RECEPTACLE SMT TYPE WITH SWITCH		
		ANGULAR ± 1 °				CHECKED BY JOHNSON	DATE 2008/03/10			
		DRAFT WHERE APPLICABLE MUST REMAIN WITHIN DIMENSIONS				APPROVED BY HARVEY	DATE 2008/03/10	MOLEX INCORPORATED		SHEET NO. 1 OF 1

SIZE A THIS DRAWING CONTAINS INFORMATION THAT IS PROPRIETARY TO MOLEX INCORPORATED AND SHOULD NOT BE USED WITHOUT WRITTEN PERMISSION

X-ON Electronics

Largest Supplier of Electrical and Electronic Components

Click to view similar products for [HDMI, Displayport & DVI Connectors](#) category:

Click to view products by [Molex](#) manufacturer:

Other Similar products are found below :

[1775247-3](#) [2-1932649-5](#) [30-1231](#) [30-528](#) [2069485-1](#) [30-504](#) [30-519](#) [30-542](#) [47648-2000](#) [2002-400](#) [769-103/021-000](#) [1932649-1](#) [233-368NFG6-17NH](#) [PJ-210A](#) [PJ-35825](#) [3VD51203-3D6A-7H](#) [DV11201-H5R6-4F](#) [RPI-16337](#) [CC-MDPM-VGAM-6](#) [RPI-16338](#) [CCB-HDMIL-1.5M](#) [CCB-HDMIL-1M](#) [CCB-HDMIL-2M](#) [CCB-HDMIL-3M](#) [CCB-HDMIL-5M](#) [CCB-HDMIL-7.5M](#) [CCBP-HDMI-10M](#) [CCBP-HDMI-1M](#) [CCBP-HDMI-2M](#) [CCBP-HDMI-3M](#) [CCBP-HDMI-7.5M](#) [CCBP-HDMI8K-1M](#) [CCBP-HDMI8K-2M](#) [CCBP-HDMI8K-3M](#) [AK-AV-02](#) [AK-AV-03](#) [AK-AV-05](#) [AK-AV-11](#) [AK-AV-13](#) [AK-AV-15](#) [CCP-MDP2-6](#) [CCP-MDPMDP2-6](#) [AK-HD-05A](#) [AK-HD-100A](#) [AK-HD-100P](#) [AK-HD-15A](#) [AK-HD-15P](#) [AK-HD-30A](#) [AK-HD-30P](#) [49959](#)