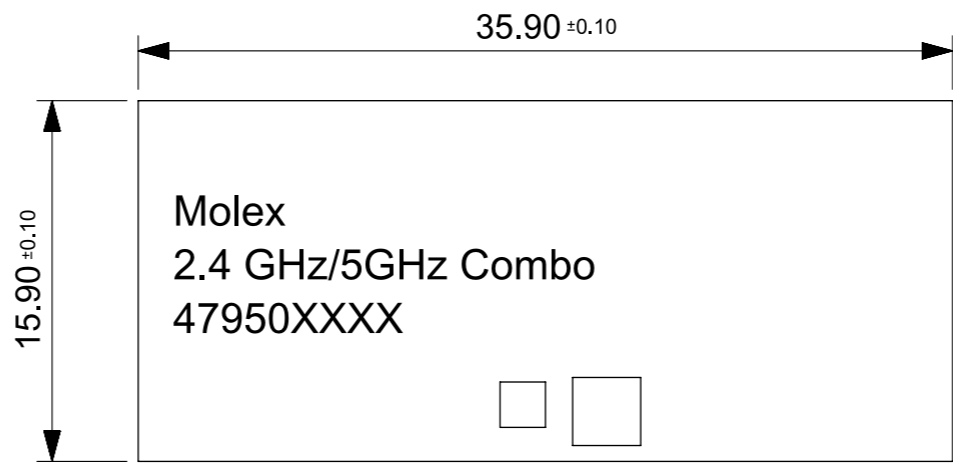


MOLEX					CUSTOMER		3D REV	CHANGE INFORMATION		
DRAWING NO.	REV	ECN NO.	DATA	P/N	P/N	2D REV		DRAWING LOCATION	CHANGE DESCRIPTION	AFFECTED DEPT
SD-47950-411	A	ABU2012-0051	2014/02/21	479504011				ALL	SIMPLY ASSY DIMS FOR SD DRAWING	AQP/ME/PE/POP
SD-47950-411	B	ABU2016-0025	2015/09/10	479504011				ALL	ADD CONNECTOR INFORMATION, CHANGE PSA MATERIAL FROM 3M 966 TO 3M 9077	AQP/ME/PE/POP
SD-47950-411	C	111421	2016/12/14	479504011				ALL	NO DESIGN CHANGE BUT ONLY UPDATE NOTES ERROR	AQP/ME/PE/POP
SD-47950-411	D	118301	2017/06/20	479504011				ALL	CLEAN DRAWING, NO DESIGN CHANGE	

NOTE:
 1.Material: Flex 35.9mm * 16mm
 Thickness:
 PSA: 3M9077
 Pl: 50um
 Base Copper: 18~20um
 2.Cover coat: black.



THIS DRAWING CONTAINS INFORMATION THAT IS PROPRIETARY TO MOLEX ELECTRONIC TECHNOLOGIES, LLC AND SHOULD NOT BE USED WITHOUT WRITTEN PERMISSION																
QUALITY SYMBOLS 	EC DESCRIPTION EC NO: 0099/99/99 DRWN: 99/99/99 CHK'D: 99/99/99 APPR: 99/99/99	GENERAL TOLERANCES (UNLESS SPECIFIED) ANGULAR TOL ± 0.5 °		DIMENSION UNITS mm	SCALE 1:1											
		4 PLACES ± 0.00000 3 PLACES ± 0.00000 2 PLACES ± 0.00000 1 PLACE ± 0.00000 0 PLACES ± 0.00000	DRWN BY ZLRAO	DATE 2017/06/20	2.4/5GHzStand alone 16mm-Assy											
		DRAFT WHERE APPLICABLE MUST REMAIN WITHIN DIMENSIONS	CHK'D BY Gao Yuxi	DATE 2016/12/14												
			APPR BY Jimmy Wang	DATE 2017/06/20							PRODUCT DESIGN DRAWING					
				DRAWING SIZE A3	THIRD ANGLE PROJECTION 	SERIES 47950	MATERIAL NUMBER SEE TABLE	CUSTOMER GENERAL MARKET								
						DOCUMENT NUMBER SD-47950-411	DOC TYPE XXX	DOC PART XXX	SHEET NUMBER 1 OF 2							

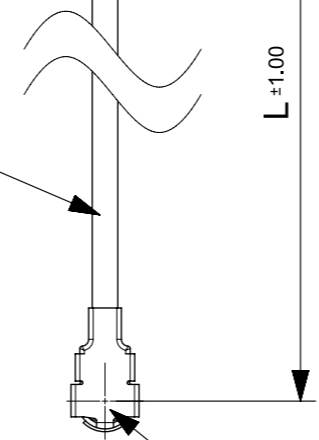
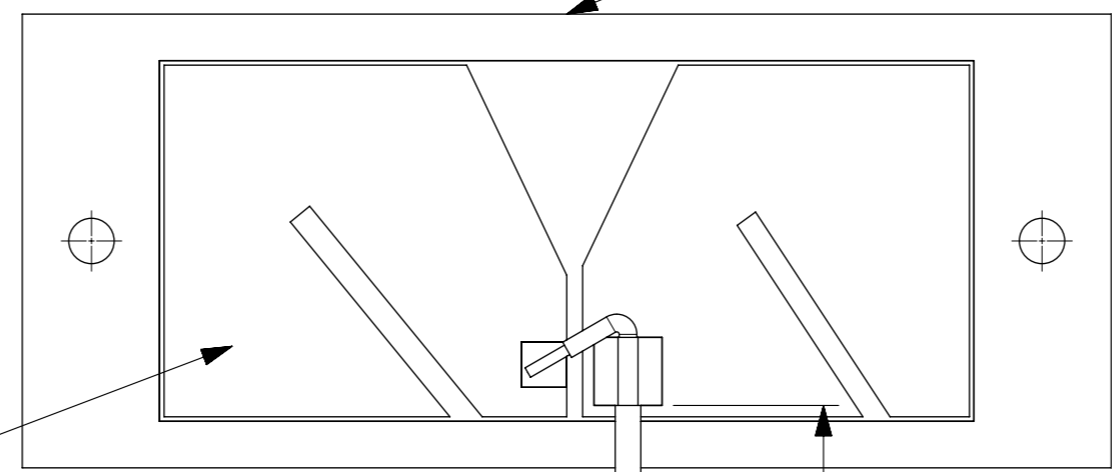
RELEASE STATUS	RELEASE DATE
----------------	--------------

3. 2.4/5GHz stand alone 16mm ASSY

2. FLEX1 FOR 2.4/5GHz STAND ALONE 16MM

1. CABLE 1 FOR 2.4/5GHz STAND ALONE 16MM

NOTE:
 1. The dimension with tolerance in box should be controlled by flex supplier and tolerance of other dimension $\pm 0.2\text{mm}$
 2. The cable line can not be rotated with the weld point for more than 60 degrees.
 3. For pull test, can not lift up in the vertical direction



ITEM	CABLE TYPE	THE LENGTH OF DIMENSION "L"
1	Cable 300mm	290.88MM

CONNECTOR:OD1.13 RF 2.5H PLUG

THIS DRAWING CONTAINS INFORMATION THAT IS PROPRIETARY TO MOLEX ELECTRONIC TECHNOLOGIES, LLC AND SHOULD NOT BE USED WITHOUT WRITTEN PERMISSION																	
QUALITY SYMBOLS FA = 0 FE = 0 FP = 0 FT = 0 CA = 0 CB = 0 CC = 0 CD = 0 CE = 0 CF = 0 CG = 0 CH = 0 CI = 0 CJ = 0 CK = 0 CL = 0 CM = 0 CN = 0 CO = 0 CP = 0 CQ = 0 CR = 0 CS = 0 CT = 0 CU = 0 CV = 0 CW = 0 CX = 0 CY = 0 CZ = 0 CA = 0 CB = 0 CC = 0 CD = 0 CE = 0 CF = 0 CG = 0 CH = 0 CI = 0 CJ = 0 CK = 0 CL = 0 CM = 0 CN = 0 CO = 0 CP = 0 CQ = 0 CR = 0 CS = 0 CT = 0 CU = 0 CV = 0 CW = 0 CX = 0 CY = 0 CZ = 0	EC DESCRIPTION EC NO: 0099/99/99 DRWN: 99/99/99 CHK'D: 99/99/99 APPR: 99/99/99	GENERAL TOLERANCES (UNLESS SPECIFIED) ANGULAR TOL $\pm 0.5^\circ$ 4 PLACES ± 0.00000 3 PLACES ± 0.00000 2 PLACES ± 0.0000 1 PLACE ± 0.00 0 PLACES ± 0.00		DIMENSION UNITS mm	SCALE 2:1												
		DRWN BY: ZLRAO DATE: 2017/06/20		CHK'D BY: Gao Yuxi DATE: 2016/12/14								2.4/5GHzStand alone 16mm-Assy					
		APPR BY: Jimmy Wang DATE: 2017/06/20		DRAFT WHERE APPLICABLE MUST REMAIN WITHIN DIMENSIONS													
		EC NO: D REV:		DIMENSION UNITS: A3 THIRD ANGLE PROJECTION		SERIES: 47950 MATERIAL NUMBER: SEE TABLE CUSTOMER: GENERAL MARKET		DOCUMENT NUMBER: SD-47950-411 DOC TYPE: XXX DOC PART: XXX SHEET NUMBER: 2 OF 2									

RELEASE STATUS	RELEASE DATE
----------------	--------------

X-ON Electronics

Largest Supplier of Electrical and Electronic Components

Click to view similar products for [Antennas](#) category:

Click to view products by [Molex](#) manufacturer:

Other Similar products are found below :

[GAN30084EU](#) [930-033-R](#) [GW17.07.0250E](#) [1513563-1](#) [EXE902SM](#) [APAMPG-117](#) [MAF94383](#) [W3908B0100](#) [W6102B0100](#) [YE572113-30RSMM](#) [108-00014-50](#) [66089-2406](#) [SPDA17RP918](#) [W3006VP](#) [A09-F8NF-M](#) [A09-F5NF-M](#) [RGFRA1903041A1T](#) [W3593B0100](#) [W3921B0100](#) [SIMNA-868](#) [SIMNA-915](#) [SIMNA-433](#) [W1044](#) [W1049B090](#) [A75-001](#) [WTL2449CQ1-FRSMM](#) [CPL9C](#) [EXB148BN](#) [0600-00060](#) [TRA9020S3PBN-001](#) [GD5W-28P-NF](#) [MA9-7N](#) [GD53-25](#) [GD5W-21P-NF](#) [EXB144SM](#) [C37](#) [MAF94051](#) [GD35-17P-NF](#) [P1744](#) [MA9-5N](#) [EXD420PL](#) [B1322NR](#) [QWFTB120](#) [MAF94271](#) [MAF94300](#) [GPSMB301](#) [FG4403](#) [AO-AGSM-OM54](#) [5200232](#) [MIKROE-2349](#)