

10 9 8 7 6 5 4 3 2 1

F

E

D

C

B

A

F

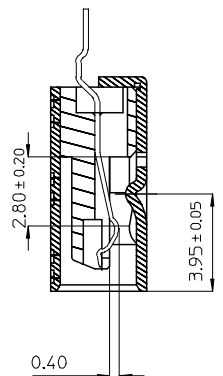
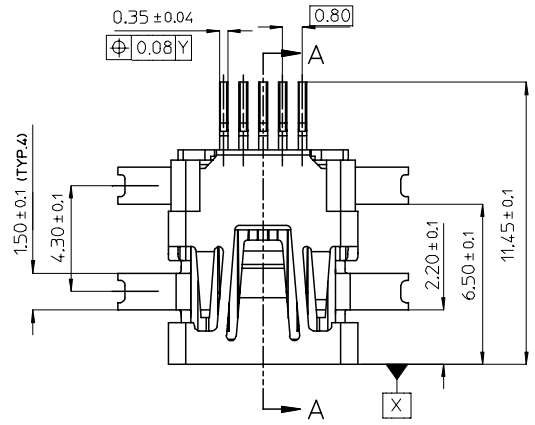
E

D

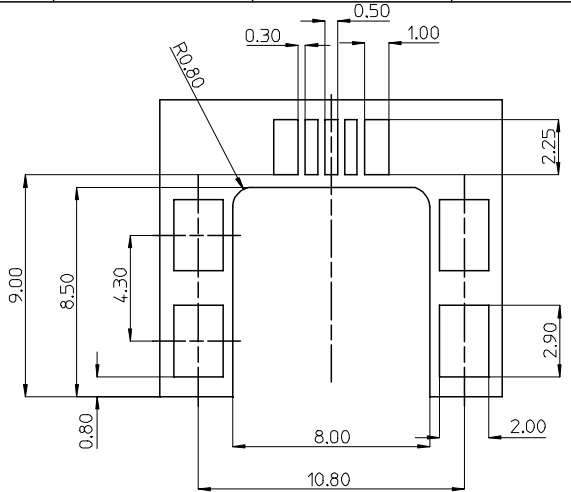
C

B

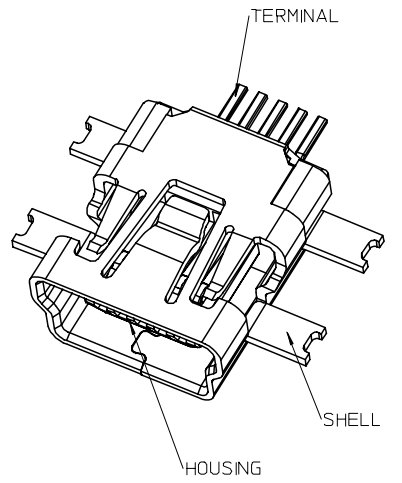
A



SECTION A-A

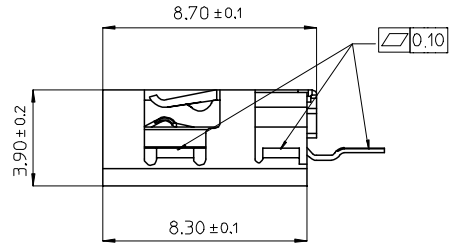
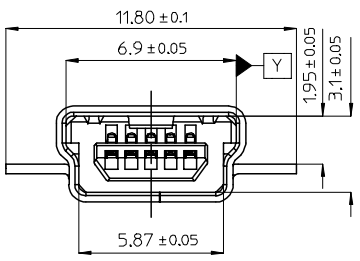


RECOMMENDED PCB LAYOUT  
TOLERANCE: ± 0.05MM



NOTE:

1. MATERIAL:  
HOUSING : LIQUID CRYSTAL POLYMER(LCP),  
GLASS FIBER FILLED, UL94V-0.COLOUR:BLACK.  
TERMINAL : PHOSPHOR BRONZE.THICKNESS=0.2±0.05MM.  
SHIELD : STAINLESS STEEL.THICKNESS=0.4MM.
2. PLATING:  
TERMINAL:  
CONTACT AREA: GOLD 0.76 MICROMETER MINIMUM.  
SOLDER TAIL AREA: PURE MATTE TIN 3.8 MICRONETER MINIMUM.  
UNDER PLATING:F-NICKEL.  
SHIELD:  
PURE MATTE TIN 3.8 MICROMETER MINIMUM.  
UNDER PLATING:NICKEL.
3. TAIL & NAIL COPLANARITY 0.1 mm MAXIMUM.
4. PRODUCT SPECIFICATION REFER TO PS-47153-001
5. PACKAGING REFER TO PK-48242-001
6. TEST SUMMARY REFER TO TS-48242-001
7. LEAD-FREE AND ROHS COMPLIANCE.



RELEASED EC NO: SH2006-0297 DRW: EKA001 CHKD: APPR: WWSCHANG	2006/01/17 2006/01/17 2006/01/18	DESCRIPTION REV	QUALITY SYMBOLS ▽=0 ▽=0
	2006/01/17 2006/01/17 2006/01/18	DESCRIPTION REV	QUALITY SYMBOLS ▽=0 ▽=0
	2006/01/17 2006/01/17 2006/01/18	DESCRIPTION REV	QUALITY SYMBOLS ▽=0 ▽=0
	2006/01/17 2006/01/17 2006/01/18	DESCRIPTION REV	QUALITY SYMBOLS ▽=0 ▽=0

GENERAL TOLERANCES (UNLESS SPECIFIED)	
mm	INCH
4 PLACES ± ---	± ---
3 PLACES ± ---	± ---
2 PLACES ± 0.25	± ---
1 PLACE ± 0.25	± ---
ANGULAR ± 3 °	
DRAFT WHERE APPLICABLE MUST REMAIN WITHIN DIMENSIONS	

DIMENSION STYLE MM ONLY	
DRAWN BY	DATE
LISHER	2005/11/29
CHECKED BY	DATE
ERIC KAO	2005/11/29
APPROVED BY	DATE
WILSON	2005/11/29
MATERIAL NO.	48242-0001

SCALE	DESIGN UNITS METRIC	THIRD ANGLE PROJECTION
TITLE MINI-B REC. CONN SMT SINK TYPE (LEAD-FREE VERSION)		
MOLEX INCORPORATED		
MATERIAL NO.	DOCUMENT NO.	SHEET NO.
48242-0001	SD-48242-001	1 OF 1
THIS DRAWING CONTAINS INFORMATION THAT IS PROPRIETARY TO MOLEX INCORPORATED AND SHOULD NOT BE USED WITHOUT WRITTEN PERMISSION		

9 8 7 6 5 4 3 2 1

## X-ON Electronics

Largest Supplier of Electrical and Electronic Components

*Click to view similar products for [USB Connectors](#) category:*

*Click to view products by [Molex](#) manufacturer:*

Other Similar products are found below :

[10033527-N3112MLF](#) [17-210561](#) [GMCB05B11124H1EU](#) [17-200931](#) [65-647-8-BK-BU](#) [690-010-295-484](#) [73725-1191BLF](#) [950](#) [E8144-B01021-L](#) [A-USB A-LP-SMT-C](#) [A-USB B-TOP-C](#) [MUSBA511N5](#) [MUSBB15131](#) [MUSBC111M5](#) [MUSBD11135](#) [217450-1](#) [CA 6 W LD](#) [896-30-004-00-000000](#) [KUSBVX-BS1N-W30](#) [KUSBX-AP-KIT-SCBLK](#) [KUSBX-AS2N-W](#) [KUSBX-SMT2AP1S-W](#) [KUSBX-SMTBS1NBTR](#) [30-498-6](#) [SK-60A-2](#) [17-200261](#) [17-210051](#) [1734082-1](#) [FK-37-32SL](#) [30-1574](#) [30-470](#) [30-489](#) [30-572-3](#) [30-9503](#) [M9177/2-1](#) [MAB 5 S](#) [MIKROE-1451](#) [33UBBR-04SW11R](#) [USBFTV2PEM2G](#) [USBFTVC6ZN](#) [USBFTVSCCG](#) [KUSBX-AS2N-W30](#) [KUSBX-SLAS1N-W](#) [KUSBX-SLAS1N-W30](#) [1-1734084-2](#) [E8110-001-01](#) [MUSBC11135](#) [33UBAR-04SW11](#) [USBF21ZNSCC](#) [USBBFTV6ZC](#)