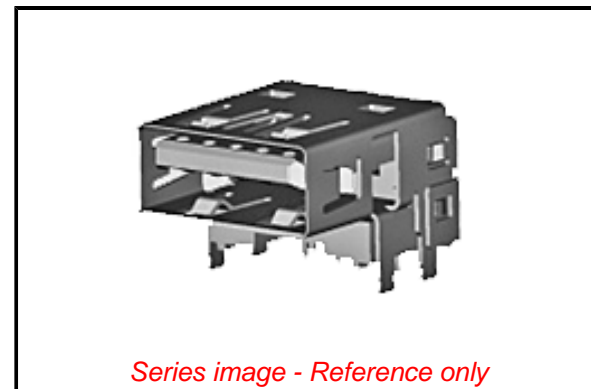


**PLEASE CHECK WWW.MOLEX.COM FOR LATEST PART INFORMATION**

**Part Number:** [0483910004](#)  
**Status:** **Active**  
**Overview:** [USB Products and Solutions](#)  
**Description:** Universal Serial Bus (USB 3.0) I/O Receptacle, Right-Angle, Type A, High-Temperature Blue Nylon, Flash Gold (Au) 3µ' Minimum Plating, Contact Height 6.09mm

**Documents:**

<a href="#">3D Model</a>	<a href="#">Product Specification TS-48391-001-001 (PDF)</a>
<a href="#">Drawing (PDF)</a>	<a href="#">Packaging Specification PK-48391-001 (PDF)</a>
<a href="#">Product Specification PS-48391-001-001 (PDF)</a>	<a href="#">RoHS Certificate of Compliance (PDF)</a>



**General**

Product Family	I/O Connectors
Series	<a href="#">48391</a>
Application	Wire-to-Board
Component Type	Receptacle
Overview	<a href="#">USB Products and Solutions</a>
Product Name	USB 3.0
Type	A
UPC	887191326658

**Physical**

Circuits (Loaded)	9
Circuits (maximum)	9
Color - Resin	Blue
Durability (mating cycles max)	5000
Gender	Female
Keying to Mating Part	Yes
Lock to Mating Part	No
Material - Metal	Copper Alloy
Material - Plating Mating	Gold
Material - Plating Termination	Matte Tin
Material - Resin	High Temperature Thermoplastic
Net Weight	2.200/g
Number of Rows	2
Orientation	Right Angle
PC Tail Length	1.50mm
PCB Locator	Yes
PCB Retention	Yes
PCB Thickness - Recommended	1.20mm
Packaging Type	Embossed Tape on Reel
Panel Mount	No
Pitch - Mating Interface	2.00mm, 2.50mm
Pitch - Termination Interface	2.00mm, 2.50mm
Polarized to Mating Part	Yes
Polarized to PCB	Yes
Ports	1
Temperature Range - Operating	-20° to +85°C
Termination Interface: Style	Through Hole

**Electrical**

Current - Maximum per Contact	1.8A
Grounding to Panel	None
Voltage - Maximum	30V AC/DC

**Material Info**

**Reference - Drawing Numbers**

**EU ELV**

**Not Relevant**

**EU RoHS**

**Compliant**

**REACH SVHC**

Not Contained Per -  
ED/71/2019 (16 July  
2019)

**Halogen-Free**

**Status**

**Low-Halogen**

For more information, please visit [Contact US](#)

China ROHS

ELV

RoHS Phthalates

**China RoHS**

Green Image

Not Relevant

Not Contained

**Search Parts in this Series**

[48391 Series](#)

**Mates With**

USB 3.0 Type A Plug

Packaging Specification  
Product Specification  
Sales Drawing

PK-48391-001  
PS-48391-001-001, TS-48391-001-001  
SD-48391-001

This document was generated on 09/19/2019

**PLEASE CHECK [WWW.MOLEX.COM](http://WWW.MOLEX.COM) FOR LATEST PART INFORMATION**

## X-ON Electronics

Largest Supplier of Electrical and Electronic Components

*Click to view similar products for [USB Connectors](#) category:*

*Click to view products by [Molex](#) manufacturer:*

Other Similar products are found below :

[65-647-8-BK-BU](#) [950](#) [952](#) [E8144-B01021-L](#) [A-USB A-LP-SMT-C](#) [A-USB B-TOP-C](#) [MUSBA511N5](#) [MUSBD11135](#) [217450-1](#) [CA 6 W LD](#)  
[KMBVX-TH-5S-B30](#) [896-30-004-00-000000](#) [KUSBVX-BS1N-W30](#) [KUSBX-AP-KIT-SCBLK](#) [KUSBX-AS2N-W](#) [KUSBX-SMT2AP1S-W](#)  
[KUSBX-SMT2AP1S-W30](#) [935](#) [957](#) [30-498-6](#) [17-210051](#) [1734082-1](#) [30-1574](#) [30-470](#) [30-489](#) [30-541](#) [30-572-3](#) [MAB 8 SN V](#) [A-USB A-](#)  
[2P-C](#) [MIKROE-1451](#) [USBFTV2PEM2G](#) [USBFTVC6ZN](#) [KUSBX-AS2N-W30](#) [KUSBX-SLAS1N-W](#) [KUSBX-SMT-AS1N-W30](#) [4689-1](#) [1-](#)  
[1734084-2](#) [E8110-001-01](#) [MUSBA81130](#) [33UBARS1-04SW11](#) [33UBAR-04SW11](#) [USBF21ZNSCC](#) [USBBFTV6ZC](#) [10135326-001LF](#)  
[M9177/3-1](#) [USB-A-S-F-B-VT](#) [925](#) [4198](#) [690-024-633-031](#) [KUSBEX-BSFS1N-W](#)