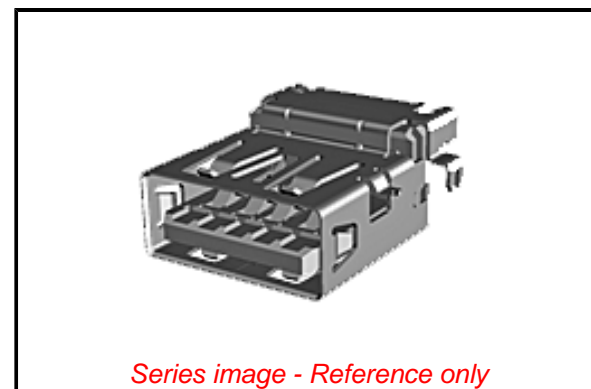


PLEASE CHECK WWW.MOLEX.COM FOR LATEST PART INFORMATION

Part Number: [0483980003](#)
Status: **Active**
Overview: [USB Products and Solutions](#)
Description: Universal Serial Bus (USB 3.0) Reverse I/O Receptacle, Right-Angle, Through Hole, Type A, High-Temperature Blue Nylon, 15µ' Gold (Au) Plating, Contact Height 2.04mm

Documents:

3D Model	Product Specification TS-48398-001-001 (PDF)
Drawing (PDF)	Packaging Specification PK-48398-001 (PDF)
Product Specification PS-48398-001-001 (PDF)	RoHS Certificate of Compliance (PDF)



General

Product Family	I/O Connectors
Series	48398
Application	Wire-to-Board
Component Type	Receptacle
Overview	USB Products and Solutions
Product Name	USB 3.0
Type	A
UPC	887191452999

Physical

Circuits (Loaded)	9
Circuits (maximum)	9
Color - Resin	Blue
Durability (mating cycles max)	5000
Gender	Female
Keying to Mating Part	Yes
Lock to Mating Part	No
Material - Metal	Copper Alloy
Material - Plating Mating	Gold
Material - Plating Termination	Matte Tin
Material - Resin	High Temperature Thermoplastic
Net Weight	2.200/g
Number of Rows	2
Orientation	Right Angle
PC Tail Length	1.57mm
PCB Locator	Yes
PCB Retention	Yes
Packaging Type	Embossed Tape on Reel
Panel Mount	No
Pitch - Mating Interface	2.00mm, 2.50mm
Pitch - Termination Interface	2.00mm, 2.50mm
Polarized to Mating Part	Yes
Polarized to PCB	Yes
Ports	1
Temperature Range - Operating	-20° to +85°C
Termination Interface: Style	Through Hole

Electrical

Current - Maximum per Contact	1.8A
Grounding to Panel	None
Voltage - Maximum	30V AC/DC

Material Info

Reference - Drawing Numbers

Packaging Specification	PK-48398-001
-------------------------	--------------

EU ELV

Not Relevant

EU RoHS

Compliant

REACH SVHC

Not Contained Per -
ED/71/2019 (16 July
2019)

Halogen-Free

Status

Low-Halogen

For more information, please visit [Contact US](#)

China ROHS

ELV

RoHS Phthalates

China RoHS

Green Image

Not Relevant

Not Contained

Search Parts in this Series

[48398 Series](#)

Mates With

USB 3.0 Type A Plug

This document was generated on 09/19/2019

PLEASE CHECK WWW.MOLEX.COM FOR LATEST PART INFORMATION

X-ON Electronics

Largest Supplier of Electrical and Electronic Components

Click to view similar products for [USB Connectors](#) category:

Click to view products by [Molex](#) manufacturer:

Other Similar products are found below :

[65-647-8-BK-BU](#) [950](#) [952](#) [E8144-B01021-L](#) [A-USB A-LP-SMT-C](#) [A-USB B-TOP-C](#) [MUSBA511N5](#) [MUSBD11135](#) [217450-1](#) [CA 6 W LD](#)
[KMBVX-TH-5S-B30](#) [896-30-004-00-000000](#) [KUSBVX-BS1N-W30](#) [KUSBX-AP-KIT-SCBLK](#) [KUSBX-AS2N-W](#) [KUSBX-SMT2AP1S-W](#)
[KUSBX-SMT2AP1S-W30](#) [935](#) [957](#) [30-498-6](#) [17-210051](#) [1734082-1](#) [30-1574](#) [30-470](#) [30-489](#) [30-541](#) [30-572-3](#) [MAB 8 SN V](#) [A-USB A-](#)
[2P-C](#) [MIKROE-1451](#) [USBFTV2PEM2G](#) [USBFTVC6ZN](#) [KUSBX-AS2N-W30](#) [KUSBX-SLAS1N-W](#) [KUSBX-SMT-AS1N-W30](#) [4689-1](#) [1-](#)
[1734084-2](#) [E8110-001-01](#) [MUSBA81130](#) [33UBARS1-04SW11](#) [33UBAR-04SW11](#) [USBF21ZNSCC](#) [USBBFTV6ZC](#) [10135326-001LF](#)
[M9177/3-1](#) [USB-A-S-F-B-VT](#) [925](#) [4198](#) [690-024-633-031](#) [KUSBEX-BSFS1N-W](#)