

PLEASE CHECK WWW.MOLEX.COM FOR LATEST PART INFORMATION

Part Number: **0495100206**
Status: **Active**
Overview: Automotive Bulb Sockets
Description: PT Bulb Socket, Single Housing Assembly, Type B, White

Documents:

[3D Model](#) [Packaging Specification PK-49510-001 \(PDF\)](#)
[Drawing \(PDF\)](#) [RoHS Certificate of Compliance \(PDF\)](#)
[Product Specification PS-49504-001 \(PDF\)](#)

General

Product Family	Other Sockets
Series	<u>49510</u>
Comments	A-Type
Component Type	Socket
Overview	<u>Automotive Bulb Sockets</u>
Product Name	Bulb Socket
UPC	822348673490

Physical

Circuits (Loaded)	2
Circuits (maximum)	2
Color - Resin	White
Durability (mating cycles max)	30
Entry Angle	Vertical (Top Entry)
Keying to Mating Part	None
Material - Metal	Phosphor Bronze
Material - Resin	Nylon
Net Weight	4.023/g
PCB Locator	No
PCB Retention	N/A
Packaging Type	Bag
Pitch - Mating Interface	N/A
Pitch - Termination Interface	N/A
Temperature Range - Operating	-40°C to +80°C
Termination Interface: Style	Through Hole

Electrical

Current - Maximum per Contact	1.0A
Voltage - Maximum	12V

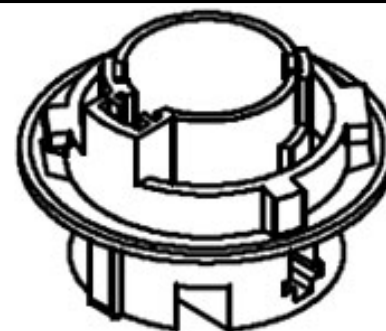
Solder Process Data

Lead-free Process Capability	N/A
------------------------------	-----

Material Info

Reference - Drawing Numbers

Packaging Specification	PK-49510-001
Product Specification	PS-49504-001
Sales Drawing	SD-49510-001



Series image - Reference only

EU ELV

Compliant

EU RoHS

Compliant

REACH SVHC

Contains SVHC(2015 June 15): No

Halogen-Free

Status

Not Relevant

Need more information on product environmental compliance?

Email productcompliance@molex.com
Please visit the [Contact Us](#) section for any non-product compliance questions.

China ROHS

ELV

China RoHS

Not Relevant
Compliant

Search Parts in this Series

49510 Series

Mates With

Lamp

Use With

35438 Positive Terminal for PT Bulb Socket,
35439 Earth Terminal for PT Bulb Socket

X-ON Electronics

Largest Supplier of Electrical and Electronic Components

Click to view similar products for [Automotive Connectors](#) category:

Click to view products by [Molex](#) manufacturer:

Other Similar products are found below :

[003-018-000](#) [60403001](#) [60993906-B](#) [M902-2131](#) [M902-2161](#) [72.330.1035.1](#) [73.353.4028.0](#) [F119300-B](#) [F166900](#) [F258300-B](#) [F358300-B](#)
[F407400](#) [F444110](#) [F487000](#) [F509500B-B](#) [827153-1](#) [8N1515-32-24P](#) [9-1326729-8](#) [925474-1](#) [928905-1](#) [964562-4](#) [968782-1](#) [GT17SA-8DS-](#)
[HU](#) [98891-1012](#) [98947-1016](#) [12004475-L](#) [12010290](#) [12010309-B](#) [12015454](#) [12020219-B](#) [12020308](#) [12041318-B](#) [12052225-L](#) [12052466](#)
[12059125](#) [12064869](#) [12004327-B](#) [12010503-B](#) [12015308](#) [12015384](#) [12015909](#) [1-21030-1](#) [12041254](#) [12041318](#) [12047946-B](#) [12047957](#)
[12047957-L](#) [12059473](#) [12066261](#) [12110546](#)