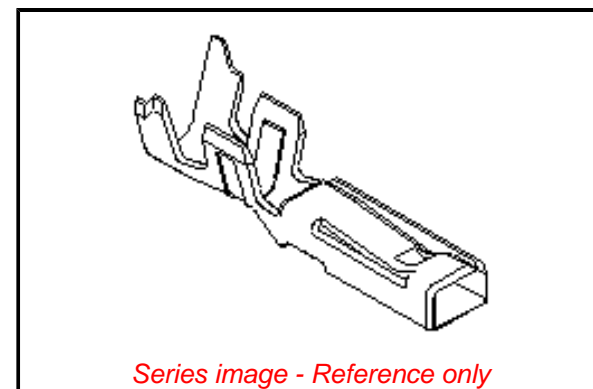


**PLEASE CHECK WWW.MOLEX.COM FOR LATEST PART INFORMATION**

**Part Number:** **0500398000**  
**Status:** **Active**  
**Overview:** Mizu Sealed Connectors  
**Description:** 2.50mm Pitch Mizu-P25 Crimp Terminal, 50039, Reel

**Documents:**

<a href="#">Drawing (PDF)</a>	<a href="#">Application Specification AS-50038-001-001 (PDF)</a>
<a href="#">Product Specification PS-52048-001-001 (PDF)</a>	<a href="#">Packaging Specification 500390000-P00 (PDF)</a>
<a href="#">Product Specification PS-52117-007-001 (PDF)</a>	<a href="#">RoHS Certificate of Compliance (PDF)</a>
<a href="#">Product Specification PS-52117-008-001 (PDF)</a>	



**General**

Product Family	Crimp Terminals
Series	50039
Application	Signal, Wire-to-Wire
Crimp Quality Equipment	Yes
Overview	<u>Mizu Sealed Connectors</u>
Packaging Alternative	500398100 (Loose)
Product Name	Mizu-P25 Waterproof
UPC	800754368681

**Physical**

Gender	Female
Material - Metal	Phosphor Bronze
Material - Plating Mating	Tin
Material - Plating Termination	Tin
Net Weight	0.633/g
Packaging Type	Reel
Plating min - Mating	0.889µm
Plating min - Termination	0.914µm
Termination Interface: Style	Crimp or Compression
Wire Insulation Diameter	1.80-1.90mm
Wire Size AWG	20, 22
Wire Size mm <sup>2</sup>	N/A

**Electrical**

Voltage - Maximum	250V
-------------------	------

**Solder Process Data**

Lead-free Process Capability	N/A
------------------------------	-----

**Material Info**

**Reference - Drawing Numbers**

Application Specification	AS-50038-001-001
Packaging Specification	500390000-P00
Product Specification	PS-52048-001-001, PS-52117-007-001, PS-52117-008-001
Sales Drawing	SD-50039-001-001

**EU ELV**

**Compliant**

**EU RoHS**

**Compliant**

**REACH SVHC**

Not Contained Per -  
D(2021)4569-DC (8  
July 2021)

**Halogen-Free**

**Status**

**Low-Halogen**

For more information, please visit [Contact US](#)

China ROHS

ELV

RoHS Phthalates

**China RoHS**

Green Image

Compliant

Not Contained

**Search Parts in this Series**

50039 Series

**Use With**

Mizu-P25 2.50mm Pitch Waterproof  
Receptacle Housing [52117](#)

**Application Tooling | FAQ**

*Tooling specifications and manuals are found by selecting the products below. Crimp Height Specifications are then contained in the Application Tooling Specification document.*

**Global**

Description	Product #
-------------	-----------

Extraction and Activation Tool	<a href="#">638132700</a>
PremiumGrade Hand Crimp Tool for Mizu-P25 Splash Proof Crimp Terminals	<a href="#">638233900</a>
FineAdjust Applicator for 2.50mm Pitch Splash Proof Crimp	<a href="#">639000100</a>

Terminal, 20-22  
AWG  
T2 Terminator 639100100  
Tooling Die for  
2.50mm Pitch  
Splash Proof Crimp  
Terminal, 20-22  
AWG

**Japan**

**Description** **Product #**

Applicator for M211A 570843000

Bench Press

S-1 Applicator 570843700

for Mizu-P25

Standard Waterproof

Terminals

This document was generated on 12/29/2021

**PLEASE CHECK [WWW.MOLEX.COM](http://WWW.MOLEX.COM) FOR LATEST PART INFORMATION**

## X-ON Electronics

Largest Supplier of Electrical and Electronic Components

*Click to view similar products for [Automotive Connectors](#) category:*

*Click to view products by [Molex](#) manufacturer:*

Other Similar products are found below :

[003-018-000](#) [60403001](#) [60993906-B](#) [M902-2131](#) [M902-2161](#) [72.330.1035.1](#) [73.353.4028.0](#) [F119300-B](#) [F166900](#) [F258300-B](#) [F358300-B](#)  
[F407400](#) [F444110](#) [F487000](#) [F509500B-B](#) [827153-1](#) [8N1515-32-24P](#) [9-1326729-8](#) [925474-1](#) [928905-1](#) [964562-4](#) [968782-1](#) [GT17SA-8DS-](#)  
[HU](#) [98891-1012](#) [98947-1016](#) [12004475-L](#) [12010290](#) [12010309-B](#) [12015454](#) [12020219-B](#) [12020308](#) [12041318-B](#) [12052225-L](#) [12052466](#)  
[12059125](#) [12064869](#) [12004327-B](#) [12010503-B](#) [12015308](#) [12015384](#) [12015909](#) [1-21030-1](#) [12041254](#) [12041318](#) [12047946-B](#) [12047957](#)  
[12047957-L](#) [12059473](#) [12066261](#) [12110546](#)