

PLEASE CHECK WWW.MOLEX.COM FOR LATEST PART INFORMATION

Part Number: [5013280200](#)
Status: **Active**
Overview: Inertia Lock Wire-to-Wire System
Description: 3.30mm Pitch Wire-to-Wire Inertia Lock Receptacle Housing, Single Row, 2 Circuits, White

Documents:

[3D Model](#) [Product Specification PS-501328-001 \(PDF\)](#)
[Drawing \(PDF\)](#) [RoHS Certificate of Compliance \(PDF\)](#)

General

Product Family	Crimp Housings
Series	501328
Application	Signal, Wire-to-Wire
Overview	Inertia Lock Wire-to-Wire System
Product Name	Inertia Lock
UPC	822348797035

Physical

Circuits (maximum)	2
Color - Resin	White
Gender	Female
Glow-Wire Compliant	No
Lock to Mating Part	Yes
Material - Resin	Nylon
Net Weight	680.000/mg
Number of Rows	1
Packaging Type	Bag
Panel Mount	No
Pitch - Mating Interface	3.30mm
Polarized to Mating Part	Yes
Stackable	No
Temperature Range - Operating	-25°C to +80°C

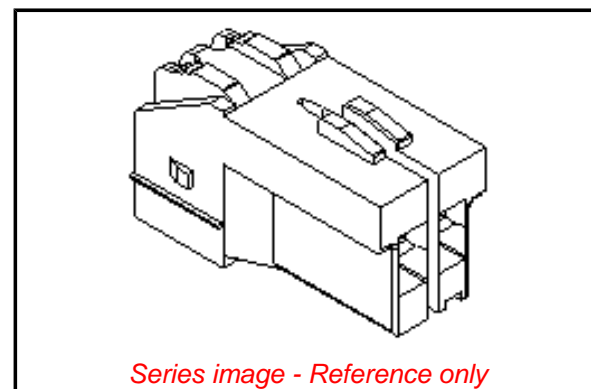
Electrical

Current - Maximum per Contact	4.0A
-------------------------------	------

Material Info

Reference - Drawing Numbers

Product Specification	PS-501328-001, RPS-501328-002, RPS-501328-003
Sales Drawing	SD-501328-001



Series image - Reference only

EU ELV

Not Relevant

EU RoHS

Compliant

REACH SVHC

Not Contained Per -
ED/21/2016 (20 June
2016)

Halogen-Free

Status

Low-Halogen

**Need more information on product
environmental compliance?**

Email productcompliance@molex.com
Please visit the [Contact Us](#) section for any
non-product compliance questions.

China ROHS
ELV

Green Image
Not Relevant

Search Parts in this Series

[501328](#) Series

Mates With

[501329-0200](#) Plug Housing . [56265](#) Plug
Terminal for 18-20 AWG. [56279](#) Plug
Terminal for 22-26 AWG

Use With

[51348-0213](#) Retainer . [501395](#) Receptacle
Terminal for 18-20 AWG. [500989](#)
Receptacle Terminal for 22-26 AWG

X-ON Electronics

Largest Supplier of Electrical and Electronic Components

Click to view similar products for [Headers & Wire Housings](#) category:

Click to view products by [Molex](#) manufacturer:

Other Similar products are found below :

[892-18-020-10-001101](#) [58102-G61-06LF](#) [582553-1](#) [0009485154](#) [009176003701906](#) [0050291907](#) [LY20-4P-DT1-P1E-BR](#) [02.125.8002.8](#)
[609-3404](#) [61062-3](#) [622-0430](#) [622-3653LF](#) [63453-116](#) [636-1030](#) [636-1427](#) [636-3427](#) [636-4007](#) [641938-9](#) [641991-4](#) [644827-2](#) [65817-010LF](#)
[65817-015LF](#) [65863-015LF](#) [66207-023LF](#) [67095-007LF](#) [67601157](#) [68648-049](#) [70.362.1628.0](#) [70-4210](#) [70-4226B](#) [70-4853B](#) [707-5020](#) [707-5028](#) [71.350.2428.0](#) [71918-208LF](#) [71961-016LF](#) [733-134](#) [733-162](#) [754199-000](#) [760-3052](#) [787-8014-00](#) [79531-3000](#) [FCN-360C032-B](#) [FCN-367T-T012/H](#) [FCN-723D010/2](#) [80.063.4001.1](#) [800-90-001-10-001000](#) [800-90-010-10-002000](#) [801-43-002-10-013000](#) [801-43-006-10-002000](#)