

**PLEASE CHECK WWW.MOLEX.COM FOR LATEST PART INFORMATION**

**Part Number:** [5013280214](#)  
**Status:** **Active**  
**Overview:** [Inertia Lock Wire-to-Wire System](#)  
**Description:** 3.30mm Pitch Wire-to-Wire Inertia Lock Receptacle Housing, Single Row, 2 Circuits, Blue

**Documents:**

[3D Model](#) [Product Specification PS-501328-001 \(PDF\)](#)  
[Drawing \(PDF\)](#) [RoHS Certificate of Compliance \(PDF\)](#)

**General**

|                |  |
|----------------|--|
| Product Family | Crimp Housings                                   |
| Series         | <a href="#">501328</a>                           |
| Application    | Signal, Wire-to-Wire                             |
| Overview       | <a href="#">Inertia Lock Wire-to-Wire System</a> |
| Product Name   | Inertia Lock                                     |
| UPC            | 822348797028                                     |

**Physical**

|                               |                |
|-------------------------------|----------------|
| Circuits (maximum)            | 2              |
| Color - Resin                 | Blue           |
| Gender                        | Female         |
| Glow-Wire Compliant           | No             |
| Lock to Mating Part           | Yes            |
| Material - Resin              | Nylon          |
| Net Weight                    | 680.000/mg     |
| Number of Rows                | 1              |
| Packaging Type                | Bag            |
| Panel Mount                   | No             |
| Pitch - Mating Interface      | 3.30mm         |
| Polarized to Mating Part      | Yes            |
| Stackable                     | No             |
| Temperature Range - Operating | -25°C to +80°C |

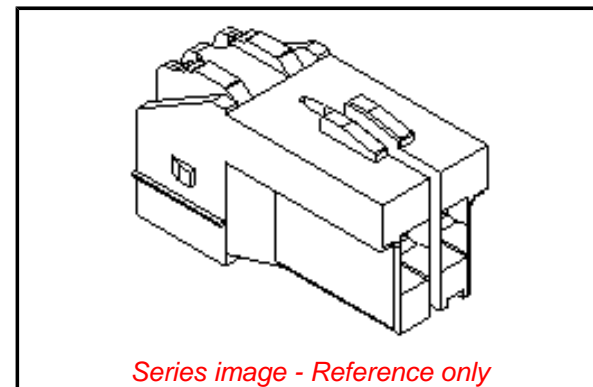
**Electrical**

|                               |      |
|-------------------------------|------|
| Current - Maximum per Contact | 4.0A |
|-------------------------------|------|

**Material Info**

**Reference - Drawing Numbers**

|                       |   |
|-----------------------|---|
| Product Specification | PS-501328-001, RPS-501328-002, RPS-501328-003 |
| Sales Drawing         | SD-501328-001                                 |



*Series image - Reference only*

**EU ELV**

**Not Relevant**

**EU RoHS**

**Compliant**

**REACH SVHC**

Not Contained Per -  
ED/21/2016 (20 June  
2016)

**Halogen-Free**

**Status**

**Low-Halogen**

**Need more information on product environmental compliance?**

Email [productcompliance@molex.com](mailto:productcompliance@molex.com)  
Please visit the [Contact Us](#) section for any non-product compliance questions.

China ROHS  
ELV

Green Image  
Not Relevant

**Search Parts in this Series**

[501328](#) Series

**Mates With**

[501329-0214](#) Plug Housing . [56265](#) Plug Terminal for 18-20 AWG. [56279](#) Plug Terminal for 22-26 AWG

**Use With**

[51348-0213](#) Retainer . [501395](#) Receptacle Terminal for 18-20 AWG. [500989](#) Receptacle Terminal for 22-26 AWG

## X-ON Electronics

Largest Supplier of Electrical and Electronic Components

*Click to view similar products for [Headers & Wire Housings](#) category:*

*Click to view products by [Molex](#) manufacturer:*

Other Similar products are found below :

[892-18-020-10-001101](#) [58102-G61-06LF](#) [582553-1](#) [0009485154](#) [009176003701906](#) [0050291907](#) [LY20-4P-DT1-P1E-BR](#) [02.125.8002.8](#)  
[609-3404](#) [61062-3](#) [622-0430](#) [622-3653LF](#) [63453-116](#) [636-1030](#) [636-1427](#) [636-3427](#) [636-4007](#) [641938-9](#) [641991-4](#) [644827-2](#) [65817-010LF](#)  
[65817-015LF](#) [65863-015LF](#) [66207-023LF](#) [67095-007LF](#) [67601157](#) [68648-049](#) [70.362.1628.0](#) [70-4210](#) [70-4226B](#) [70-4853B](#) [707-5020](#) [707-5028](#) [71.350.2428.0](#) [71918-208LF](#) [71961-016LF](#) [733-134](#) [733-162](#) [754199-000](#) [760-3052](#) [787-8014-00](#) [79531-3000](#) [FCN-360C032-B](#) [FCN-367T-T012/H](#) [FCN-723D010/2](#) [80.063.4001.1](#) [800-90-001-10-001000](#) [800-90-010-10-002000](#) [801-43-002-10-013000](#) [801-43-006-10-002000](#)