

**PLEASE CHECK WWW.MOLEX.COM FOR LATEST PART INFORMATION**

**Part Number:** [5013290214](#)  
**Status:** **Active**  
**Overview:** Inertia Lock Wire-to-Wire System  
**Description:** 3.30mm Pitch Wire-to-Wire Inertia Lock Plug Housing, Single Row, 2 Circuits, Blue

**Documents:**

[3D Model](#) [Product Specification PS-501328-001 \(PDF\)](#)  
[Drawing \(PDF\)](#) [RoHS Certificate of Compliance \(PDF\)](#)

**General**

Product Family Crimp Housings  
 Series [501329](#)  
 Application Signal, Wire-to-Wire  
 Overview Inertia Lock Wire-to-Wire System  
 Product Name Inertia Lock  
 UPC 822348797059

**Physical**

Circuits (maximum) 2  
 Color - Resin Blue  
 Gender Male  
 Glow-Wire Compliant No  
 Lock to Mating Part Yes  
 Material - Resin Nylon  
 Net Weight 1060.000/mg  
 Number of Rows 1  
 Packaging Type Bag  
 Panel Mount No  
 Pitch - Mating Interface 3.30mm  
 Polarized to Mating Part Yes  
 Stackable No  
 Temperature Range - Operating -25°C to +80°C

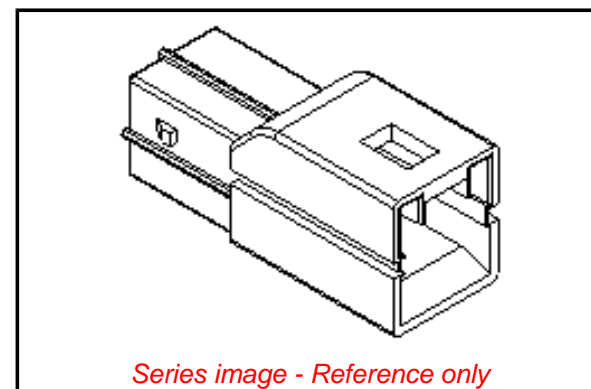
**Electrical**

Current - Maximum per Contact 4.0A

**Material Info**

**Reference - Drawing Numbers**

Product Specification PS-501328-001, RPS-501328-001, RPS-501328-002, RPS-501328-003  
 Sales Drawing SD-501329-001



**EU ELV**

**Not Relevant**

**EU RoHS**

**Compliant**

**REACH SVHC**

Not Contained Per - ED/21/2016 (20 June 2016)

**Halogen-Free**

**Status**

**Low-Halogen**

**Need more information on product environmental compliance?**

Email [productcompliance@molex.com](mailto:productcompliance@molex.com)  
 Please visit the [Contact Us](#) section for any non-product compliance questions.

China ROHS  
ELV

China RoHS  
Green Image  
Not Relevant

**Search Parts in this Series**

[501329](#) Series

**Mates With**

[501328-0214](#) Receptacle Housing . [501395](#) Receptacle Terminal for 18-20 AWG.  
[500989](#) Receptacle Terminal for 22-26 AWG

**Use With**

[51348-0213](#) Retainer . [56265](#) Plug Terminal for 18-20 AWG. [56279](#) Plug Terminal for 22-26 AWG

## X-ON Electronics

Largest Supplier of Electrical and Electronic Components

*Click to view similar products for [Headers & Wire Housings](#) category:*

*Click to view products by [Molex](#) manufacturer:*

Other Similar products are found below :

[892-18-020-10-001101](#) [58102-G61-06LF](#) [582553-1](#) [0009485154](#) [009176003701906](#) [0050291907](#) [LY20-4P-DT1-P1E-BR](#) [02.125.8002.8](#)  
[609-3404](#) [61062-3](#) [622-0430](#) [622-3653LF](#) [63453-116](#) [636-1030](#) [636-1427](#) [636-3427](#) [636-4007](#) [641938-9](#) [641991-4](#) [644827-2](#) [65817-010LF](#)  
[65817-015LF](#) [65863-015LF](#) [66207-023LF](#) [67095-007LF](#) [67601157](#) [68648-049](#) [70.362.1628.0](#) [70-4210](#) [70-4226B](#) [70-4853B](#) [707-5020](#) [707-](#)  
[5028](#) [71.350.2428.0](#) [71918-208LF](#) [71961-016LF](#) [733-134](#) [733-162](#) [754199-000](#) [760-3052](#) [787-8014-00](#) [79531-3000](#) [FCN-360C032-B](#) [FCN-](#)  
[367T-T012/H](#) [FCN-723D010/2](#) [80.063.4001.1](#) [800-90-001-10-001000](#) [800-90-010-10-002000](#) [801-43-002-10-013000](#) [801-43-006-10-002000](#)