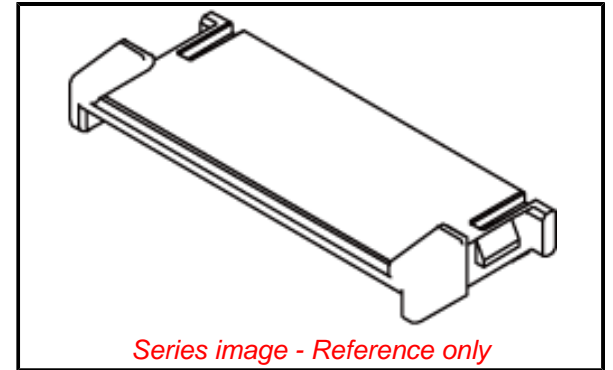


PLEASE CHECK WWW.MOLEX.COM FOR LATEST PART INFORMATION

Part Number: **5017834009**
Status: **Active**
Overview: Easy-On FFC FPC Connectors
Description: 0.50mm Pitch FFC-to-Board Connector Plug Jacket, 40 Circuits

Documents:

3D Model	Product Specification PS-501864-004-001 (PDF)
3D Model (PDF)	Application Specification 5017832000-A00 (PDF)
Drawing (PDF)	Packaging Specification SPK-501783-001-001 (PDF)
Product Specification PS-501786-004-001 (PDF)	RoHS Certificate of Compliance (PDF)



Series image - Reference only

Agency Certification

UL E29179

General

Product Family	Accessories
Series	<u>501783</u>
Comments	Requires a custom FFC with notches
Component Type	Jacket
Overview	<u>Easy-On FFC FPC Connectors</u>
Product Name	Easy-On
UPC	822350232104

Physical

Circuits (Loaded)	40
Circuits (maximum)	40
Color - Resin	Black
Flammability	94V-0
Gender	Plug
Material - Resin	Polyester
Net Weight	303.500/mg
Packaging Type	Bag
Polarized to Mating Part	Yes
Temperature Range - Operating	-40° to +105°C

Material Info

Reference - Drawing Numbers

Application Specification	5017832000-A00
Packaging Specification	SPK-501783-001-001
Product Specification	PS-501786-004-001, PS-501864-004-001
Sales Drawing	SD-501783-004-001

EU ELV

Not Relevant

EU RoHS

Compliant

REACH SVHC

Contained Per -
D(2021)4569-DC (8
July 2021)
4-aminoazobenzene
Dihexyl-phthalate
Phenanthrene
Imidazolidine-2-thione
Dipentyl phthalate
bis(2-(2-
methoxyethoxy)ethyl)
ether
Octanoic acid,
2,2,3,3,4,4,5,5,6,6,7,7,8,8-
pen
Decamethylcyclopentasiloxane
Octamethylcyclotetrasiloxane
Disodium 3,3'-[[1,1'-
Biphenyl]-4,4'-
Diylbis(Azo)
1,2-
Benzenedicarboxylic
acid, bis(3-
methylbutyl)
Disodium-octaborate
2-ethylhexyl 10-
ethyl-4,4-dioctyl-7-
oxo-8-oxa-3,
2-(2H-Benzotriazol-2-
yl)-4,6-
ditertpentylphenol
1,2-
Benzenedicarboxylic
acid, dihexyl ester,
bra
diisohexyl phthalate
1,2-
Benzenedicarboxylic
acid, dipentyl ester, br

China RoHS

n-pentyl-
isopentylphthalate
Boric acid
Zirconia
Aluminosilicate
Refractory Ceramic
Fibr
Fluoranthene
Perfluorononan-1-
oic acid
(2,2,3,3,4,4,5,5,6,6,7
Methylhexahydrophthalic
anhydride
reaction mass of
2-ethylhexyl 10-
ethyl-4,4-dioct
Lead chromate
molybdate sulfate red
Lead sulfochromate
yellow
Boric acid, disodium
salt, hydrate
Strontium-chromate
1,2-
Benzenedicarboxylic
acid, di-C6-8-
branched a
Potassium
hydroxyoctaoxidizincatedichromate
1,2-
Benzenedicarboxylic
acid, bis(2-
methoxyethyl
1,2-bis(2-
methoxyethoxy)ethane
Decabromodiphenylether
Cadmium-sulphide
Lead(II,IV)-oxide
Cadmium
pyrochlore, antimony
lead yellow
Lead-dinitrate
Lead oxide sulfate
(Pb2O(SO4))
Lead-titanium-trioxide
Pentalead-tetraoxide-
sulphate
Trilead-dioxide-
phosphonate
Lead titanium
zirconium oxide
Cyanamide, lead(2+)
salt (1:1)
Cadmium Hydroxide
Sulfurous Acid, Lead
Salt, Dibasic
[Phthalato(2-)]dioxotrilead
Fatty Acids, C16-18,
Lead Salts

Halogen-Free

Status

Not Low-Halogen

For more information, please visit [Contact US](#)

China ROHS

Green Image

ELV Not Relevant
RoHS Phthalates Not Contained

Search Parts in this Series

501783 Series

Use With

501786 FFC-to-Board Connector, 501864
FFC-to-Board Connector, 501784 Plug
Jacket Cover

This document was generated on 09/29/2021

PLEASE CHECK WWW.MOLEX.COM FOR LATEST PART INFORMATION

X-ON Electronics

Largest Supplier of Electrical and Electronic Components

Click to view similar products for [FFC & FPC Connectors](#) category:

Click to view products by [Molex](#) manufacturer:

Other Similar products are found below :

[FPH-1422G](#) [FPH-1602G](#) [K-FC20](#) [FH29B-80S-0.2SHW\(99\)](#) [FPH-2022G](#) [AYF332735](#) [52610-1075](#) [52610-1275](#) [52610-1934](#) [501864-3091-TR225](#) [086222026001800](#) [52610-0675](#) [62684-36210E9ALF](#) [52746-1671-TR250](#) [10051922-2810EHLF](#) [6-520415-9](#) [SFV6R-1STE9HLF](#) [XF3M-2915-1B-R100](#) [1658549-1](#) [AYF534065TA](#) [AYF351525](#) [086212040340800+](#) [AYF530365TA](#) [67000-014LF](#) [67000-004LF](#) [006207341915000+](#) [DS1020-19RT1D](#) [67000-003LF](#) [67000-011LF](#) [67000-016LF](#) [HFW14R-2STE9LF](#) [SFV32R-2STBE9HLF](#) [SFW12R-5STE9LF](#) [SFW18R-1STAE9LF](#) [SFW4R-5STE9LF](#) [52807-0430](#) [046283021002868+](#) [THD1015-8CL-SN](#) [67000-006LF](#) [502250-8027](#) [104267-9617](#) [66987-011LF](#) [AYF362535](#) [F0501-T-50-20T-R](#) [F1003-ZV-12-25T-R](#) [HFW8S-2STAE1HLF](#) [67000-008LF](#) [67000-012LF](#) [ECC576069EU](#) [F1002-B-20-20T-R](#)