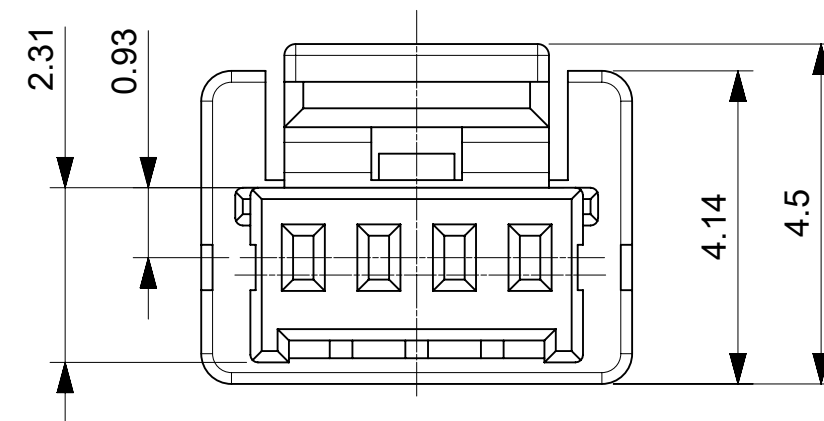
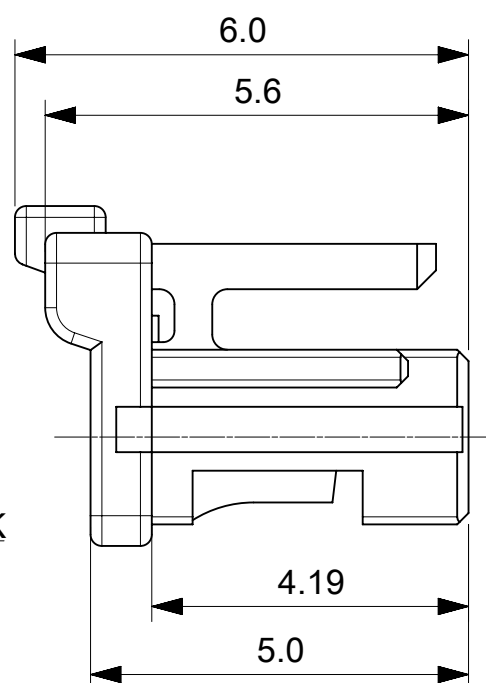
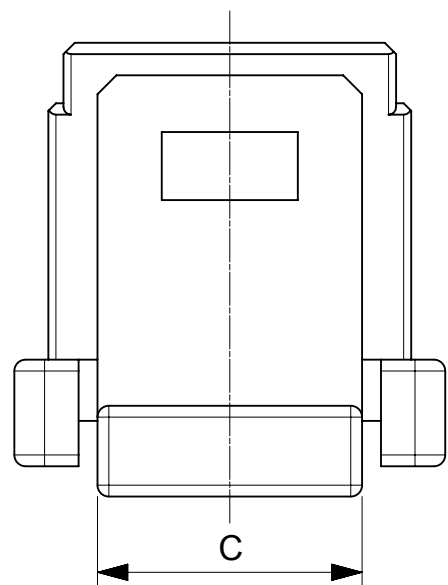


NOTES

- △1 材料：TABLE 1 参照
MATERIAL：SEE TABLE 1
- △2 本製品の適合嵌合相手及び各製品仕様書はSHEET 2 及び SHEET 3を御参照ください。
REFER TO SHEET 2 OR SHEET 3 FOR APPLICABLE PRODUCTS AND VARIOUS SPECIFICATIONS.
- △3 偶数極に適用
APPLY FOR EVEN CIRCUIT
- △4 発注番号：TABLE 2 参照
ORDER No.：SEE TABLE 2
- 5. 梱包仕様書：SPK-501939-001
PACKING SPECIFICATION：

501939 ** **

極数 CIRCUIT SIZE	ハウジングカラー HOUSING COLOR
	00:NATURAL(WHITE)
	31:BLACK



CIRCUIT 1
INDICATOR MARK

CIRCUIT N

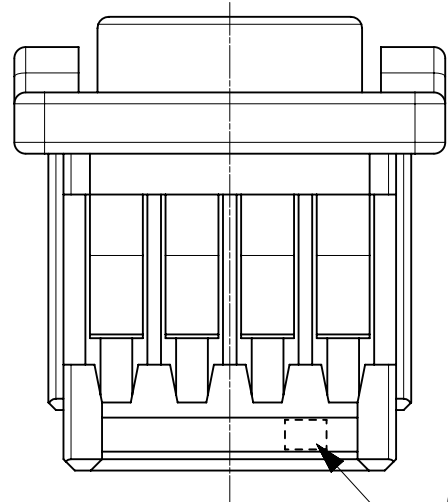
CIRCUIT 1

TRADE MARK

1.0
(PITCH)

(0.5) △3

(B)

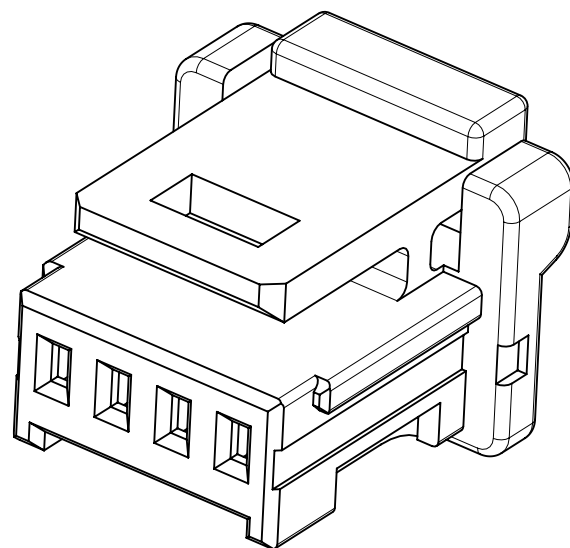


CAV No.
& MOLD No.

△1 TABLE 1

△4 TABLE 2

			HOUSING COLOR		
			BLACK	NATURAL(WHITE)	
3.5	4.0	6.7	501939 0531	501939 0500	5
	3.0	5.7	501939 0431	501939 0400	4
2.5	2.0	4.7	501939 0331	501939 0300	3
C	B	A	発注番号 ORDER No.		極数 CIRCUIT SIZE
極数別 寸法 DIMENSION			梱包形態：ポリ袋 PACKAGE:POLYBAG		



部品 PART	材質 MATERIAL
ハウジング HOUSING	ポリアミド(PA), UL94V-0, LOW HALOGEN, 色：SEE TABLE 2 POLYAMIDE(PA), UL94V-0, LOW HALOGEN, COLOR：SEE TABLE 2
DOCUMENT STATUS	P1
RELEASE DATE	2021/04/06 10:46:36

THIS DRAWING CONTAINS INFORMATION THAT IS PROPRIETARY TO MOLEX ELECTRONIC TECHNOLOGIES, LLC AND SHOULD NOT BE USED WITHOUT WRITTEN PERMISSION					
DIMENSION UNITS mm		SCALE NTS		CURRENT REV DESC: REVISED	
GENERAL TOLERANCES (UNLESS SPECIFIED)					
ANGULAR TOL ± 3.0°					
4 PLACES ± 0.2		EC NO: 658660		2021/04/06	
3 PLACES ± 0.2		DRWN: MIKEDA01		2021/04/06	
2 PLACES ± 0.2		CHK'D: SAKIYAMA		2021/04/06	
1 PLACE ± 0.2		APPR: KOMURAKAMI		2021/04/06	
0 PLACES ± 0.2		INITIAL REVISION:			
DRAFT WHERE APPLICABLE MUST REMAIN WITHIN DIMENSIONS		DRWN: AISHIKAWA		2019/03/15	
THIRD ANGLE PROJECTION		APPR: KOMURAKAMI		2019/04/03	
DRAWING A3-SIZE		SERIES 501939		DOCUMENT NUMBER 5019390000-SD	
MATERIAL NUMBER 501939****		CUSTOMER GENERAL		DOC TYPE PSD	
SHEET NUMBER 1 OF 3				DOC PART 000	
				REVISION E	

△ 適合製品及び各種仕様書 (標準仕様)
APPLICABLE PRODUCTS AND VARIOUS SPECIFICATIONS (STANDARD TYPE)

適合圧着端子 APPLICABLE CRIMP TERMINAL	PART NUMBER	PLATING TYPE		WIRE SIZE(AWG)
	501334 0000	TIN (THICKNESS) [MICRO-METER MIN]	1.0	#28 - #32
	501193 7000	GOLD (THICKNESS) [MICRO-METER MIN]	FLASH	
	501193 8000		0.38	
	501193 9000		0.76	

列 ROW	SINGLE								
	SMT				SMT				
適合嵌合相手 MATE WITH	VERTICAL	RIGHT ANGLE	VERTICAL	RIGHT ANGLE	VERTICAL	RIGHT ANGLE	VERTICAL	RIGHT ANGLE	
	TIN (THICKNESS) [MICRO-METER MIN]	TIN (THICKNESS) [MICRO-METER MIN]	GOLD (THICKNESS) [MICRO-METER MIN]	GOLD (THICKNESS) [MICRO-METER MIN]					
	1.0	1.0	0.1	0.38	0.76	0.1	0.38	0.76	
シリーズ番号 SERIES No.	501940 **07	501953 **07	501940 **03	203560 **03	203561 **03	501953 **05	203562 **05	203563 **05	
製品仕様書 PRODUCT SPECIFICATION	PS-501940-001				5019390000-PS 001				
取扱説明書 APPLICATION SPECIFICATION	5013300000-AS 000								

※製品嵌合図は各"適合嵌合相手"図面参照のこと
 MATING VIEW:REFER TO EACH "MATE WITH" PART DRAWING.

THIS DRAWING CONTAINS INFORMATION THAT IS PROPRIETARY TO MOLEX ELECTRONIC TECHNOLOGIES, LLC AND SHOULD NOT BE USED WITHOUT WRITTEN PERMISSION										
DIMENSION UNITS	SCALE	CURRENT REV DESC: REVISED					molex			
mm	NTS									
GENERAL TOLERANCES (UNLESS SPECIFIED)							PICO-CLASP 1.0 WTB CONN SINGLE ROW REC HSG OUTER LOCK			
ANGULAR TOL	± 3.0 °									
4 PLACES	± 0.2	EC NO: 658660				PRODUCT CUSTOMER DRAWING				
3 PLACES	± 0.2	DRWN: MIKEDA01	2021/04/06							
2 PLACES	± 0.2	CHK'D: SAKIYAMA	2021/04/06			DOCUMENT NUMBER 5019390000-SD				
1 PLACE	± 0.2	APPR: KOMURAKAMI	2021/04/06							
0 PLACES	± 0.2	INITIAL REVISION:				DOC TYPE	DOC PART	REVISION		
DRAFT WHERE APPLICABLE MUST REMAIN WITHIN DIMENSIONS		THIRD ANGLE PROJECTION	DRAWING	SERIES	MATERIAL NUMBER	CUSTOMER	SHEET NUMBER			
			A3-SIZE	501939	501939****	GENERAL	2 OF 3			

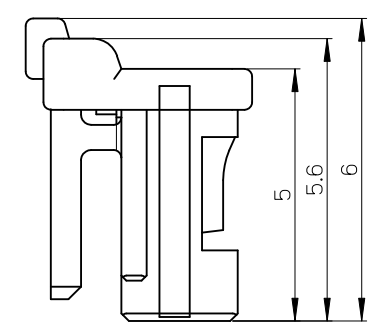
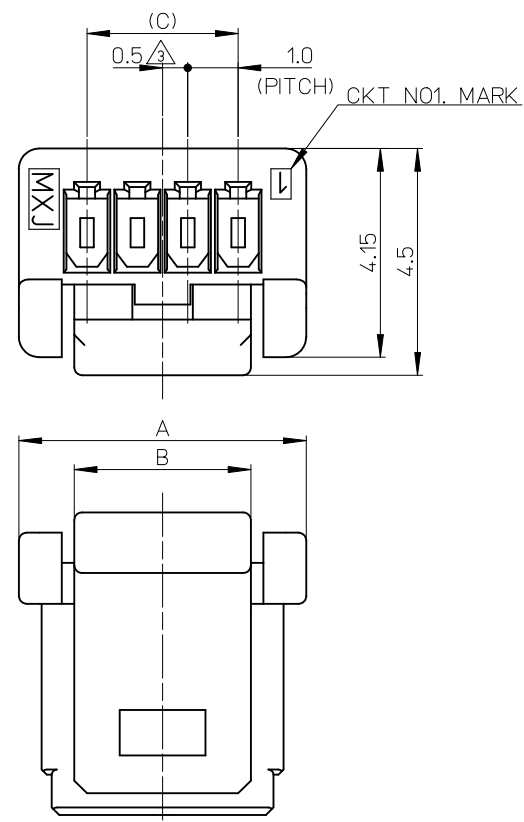
△ 2 適合製品及び各種仕様書 (ローハロゲン仕様)
 APPLICABLE PRODUCTS AND VARIOUS SPECIFICATIONS (LOW HALOGEN TYPE)

列 ROW	SINGLE							
	SMT				SMT			
	VERTICAL	RIGHT ANGLE	VERTICAL	RIGHT ANGLE	VERTICAL	RIGHT ANGLE	VERTICAL	RIGHT ANGLE
適合嵌合相手 MATE WITH	TIN (THICKNESS) [MICRO-METER MIN]	TIN (THICKNESS) [MICRO-METER MIN]	GOLD (THICKNESS) [MICRO-METER MIN]			GOLD (THICKNESS) [MICRO-METER MIN]		
	1.0	1.0	0.1	0.38	0.76	0.1	0.38	0.76
シリーズ番号 SERIES No.	208383 ***9	208385 ***9	208383 ***7	208383 ***5	208383 ***3	208385 ***7	208385 ***5	208385 ***3
製品仕様書 PRODUCT SPECIFICATION	5019390000-PS 002				5019390000-PS 003			
取扱説明書 APPLICATION SPECIFICATION	5013300000-AS 001							

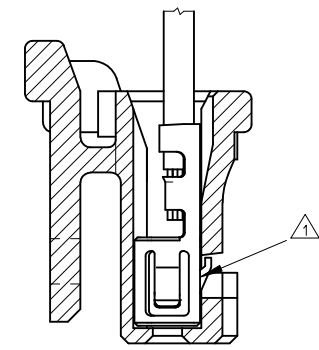
- ※製品嵌合図は各"適合嵌合相手"図面参照のこと
 MATING VIEW:REFER TO EACH "MATE WITH" PART DRAWING.
- ※適合圧着端子は標準仕様と共通になります
 THE APPLICABLE CRIMP TERMINAL ARE THE SAME THE STANDARD.

THIS DRAWING CONTAINS INFORMATION THAT IS PROPRIETARY TO MOLEX ELECTRONIC TECHNOLOGIES, LLC AND SHOULD NOT BE USED WITHOUT WRITTEN PERMISSION									
DIMENSION UNITS	SCALE	CURRENT REV DESC: REVISED						molex	
mm	NTS								
GENERAL TOLERANCES (UNLESS SPECIFIED)								PICO-CLASP 1.0 WTB CONN SINGLE ROW REC HSG OUTER LOCK	
ANGULAR TOL	± 3.0 °							PRODUCT CUSTOMER DRAWING	
4 PLACES	± 0.2	EC NO: 658660							
3 PLACES	± 0.2	DRWN: MIKEDA01	2021/04/06						
2 PLACES	± 0.2	CHK'D: SAKIYAMA	2021/04/06						
1 PLACE	± 0.2	APPR: KOMURAKAMI	2021/04/06						
0 PLACES	± 0.2	INITIAL REVISION:				DOCUMENT NUMBER		DOC TYPE	DOC PART
		DRWN: AISHIKAWA	2019/03/15			5019390000-SD		PSD	000
		APPR: KOMURAKAMI	2019/04/03					E	
DRAFT WHERE APPLICABLE MUST REMAIN WITHIN DIMENSIONS	THIRD ANGLE PROJECTION	DRAWING	SERIES	MATERIAL NUMBER	CUSTOMER	SHEET NUMBER			
		A3-SIZE	501939	501939****	GENERAL	3 OF 3			

10 9 8 7 6 5 4 3 2 1



- NOTES.
- △1 適合ターミナル: 501334-****
APPLICABLE TERMINAL: 501334-****
 2. 嵌合相手: 501940/501953-****
MATE WITH: 501940/501953-****
 - △3 偶数極に適用
APPLY FOR EVEN CIRCUIT SIZE
 4. ELV 及び RoHS適合品
ELV AND RoHS COMPLIANT.
 5. 材質
MATERIAL
66ナイロン 66NYLON
ガラス無充填 GLASS FILLED 0%
UL94V-0



4.0	3.5	6.7	5
3.0		5.7	4
2.0	2.5	4.7	3
C	B	A	極数 CIRCUITS

CONNECTOR SERIES No. 501939-****

REVISED EC NO: J2010-2217 DRWN: THAYU 2010/05/12 CHKD: AMIZUMURA 2010/05/13 APPR: NUKITA 2010/05/14	GENERAL TOLERANCES (UNLESS SPECIFIED)		DIMENSION STYLE MM ONLY		SCALE 10:1	DESIGN UNITS METRIC	THIRD ANGLE PROJECTION
	10 UNDER	±0.2	DRAWN BY NYOSHIDA	DATE 2005/09/16	TITLE 1.0 WIRE TO BOARD CONN. 1-ROW RECPACLE HOUSING POSITIVE LOCK		
	10 OVER 30 UNDER	±0.25	CHECKED BY AMIZUMURA	DATE 2005/09/16			
	30 OVER	±0.3	APPROVED BY MYAGI	DATE 2005/09/16	MOLEX INCORPORATED		
	ANGULAR	±3 °	MATERIAL NO.	DOCUMENT NO.			
D	DRAFT WHERE APPLICABLE MUST REMAIN WITHIN DIMENSIONS		SEE SHEET 2		SD-501939-001	1 OF 2	

SIZE A3 THIS DRAWING CONTAINS INFORMATION THAT IS PROPRIETARY TO MOLEX INCORPORATED AND SHOULD NOT BE USED WITHOUT WRITTEN PERMISSION

10 9 8 7 6 5 4 3 2 1

F
E
D
C
B
A

F
E
D
C
B
A

アイボリー IVORY	紫 VIOLET	橙 ORANGE	茶 BROWN	緑 GREEN	色 COLOR
501939-0530	501939-0539	501939-0538	501939-0537	501939-0536	5
501939-0430	501939-0439	501939-0438	501939-0437	501939-0436	4
501939-0330	501939-0339	501939-0338	501939-0337	501939-0336	3
PLASTIC BAG PACKAGE オーダー番号 ORDER NO.	PLASTIC BAG PACKAGE オーダー番号 ORDER NO.	PLASTIC BAG PACKAGE オーダー番号 ORDER NO.	PLASTIC BAG PACKAGE オーダー番号 ORDER NO.	PLASTIC BAG PACKAGE オーダー番号 ORDER NO.	極数 CIRCUITS
CONNECTOR SERIES No. 501939-****					
青 BLUE	黄 YELLOW	赤 RED	黒 BLACK	白 WHITE	色 COLOR
501939-0534	501939-0533	501939-0532	501939-0431	501939-0500	5
501939-0434	501939-0433	501939-0432	501939-0331	501939-0400	4
501939-0334	501939-0333	501939-0332	501939-0300		3
PLASTIC BAG PACKAGE オーダー番号 ORDER NO.	PLASTIC BAG PACKAGE オーダー番号 ORDER NO.	PLASTIC BAG PACKAGE オーダー番号 ORDER NO.	PLASTIC BAG PACKAGE オーダー番号 ORDER NO.	PLASTIC BAG PACKAGE オーダー番号 ORDER NO.	極数 CIRCUITS
CONNECTOR SERIES No. 501939-****					

REVISED EC NO: J2010-2217 DRWN: THANU 2010/05/12 CHKD: KAKAWA 2010/05/13 APPR: NUKITA 2010/05/14	DESCRIPTION D REV	GENERAL TOLERANCES (UNLESS SPECIFIED)		DIMENSION STYLE MM ONLY		SCALE 10:1	DESIGN UNITS METRIC	THIRD ANGLE PROJECTION		
		10 UNDER ±0.2	10 OVER 30 UNDER ±0.25	30 OVER ±0.3	ANGULAR ±3 °	DRAFT WHERE APPLICABLE MUST REMAIN WITHIN DIMENSIONS	DRAWN BY NYOSHIDA	DATE 2005/09/16	TITLE 1.0 WIRE TO BOARD CONN. 1-ROW RECPTACLE HOUSING POSITIVE LOCK	
		DRAWN BY AMIZUMURA		DATE 2005/09/16		APPROVED BY MYAGI		DATE 2005/09/16		MATERIAL NO. SEE TABLE
		MOLEX INCORPORATED		DOCUMENT NO. SD-501939-001		SHEET NO. 2 OF 2		THIS DRAWING CONTAINS INFORMATION THAT IS PROPRIETARY TO MOLEX INCORPORATED AND SHOULD NOT BE USED WITHOUT WRITTEN PERMISSION		

X-ON Electronics

Largest Supplier of Electrical and Electronic Components

Click to view similar products for [Headers & Wire Housings](#) category:

Click to view products by [Molex](#) manufacturer:

Other Similar products are found below :

[892-18-020-10-001101](#) [58102-G61-06LF](#) [582553-1](#) [0009485154](#) [009176003701906](#) [0050291907](#) [LY20-4P-DT1-P1E-BR](#) [02.125.8002.8](#)
[609-3404](#) [61062-3](#) [622-0430](#) [622-3653LF](#) [63453-116](#) [636-1030](#) [636-1427](#) [636-3427](#) [636-4007](#) [641938-9](#) [641991-4](#) [644827-2](#) [65817-010LF](#)
[65817-015LF](#) [65863-015LF](#) [66207-023LF](#) [67095-007LF](#) [67601157](#) [68648-049](#) [70.362.1628.0](#) [70-4210](#) [70-4226B](#) [70-4853B](#) [707-5020](#) [707-](#)
[5028](#) [71.350.2428.0](#) [71918-208LF](#) [71961-016LF](#) [733-134](#) [733-162](#) [754199-000](#) [760-3052](#) [787-8014-00](#) [79531-3000](#) [FCN-360C032-B](#) [FCN-](#)
[367T-T012/H](#) [FCN-723D010/2](#) [80.063.4001.1](#) [800-90-001-10-001000](#) [800-90-010-10-002000](#) [801-43-002-10-013000](#) [801-43-006-10-002000](#)