

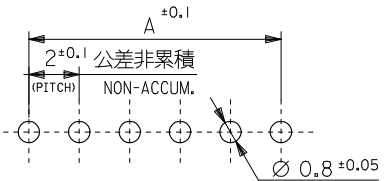
注記 NOTES

1. 嵌合相手：51065 シリーズ
MATE WITH : 51065 SERIES
2. 材質 MATERIAL
ウエハー：ポリアミド、UL94V-0
WAFER : PA , UL94V-0
ピン : 黄銅、金メッキ
PIN : BRASS, GOLD (Au) PLATING
3. キングは下記表の位置及び形状に付加のこと。2極はキング無し。
KINK TO BE APPLIED AS FOLLOWS,
2 CIRCUIT HAS NO KINK.

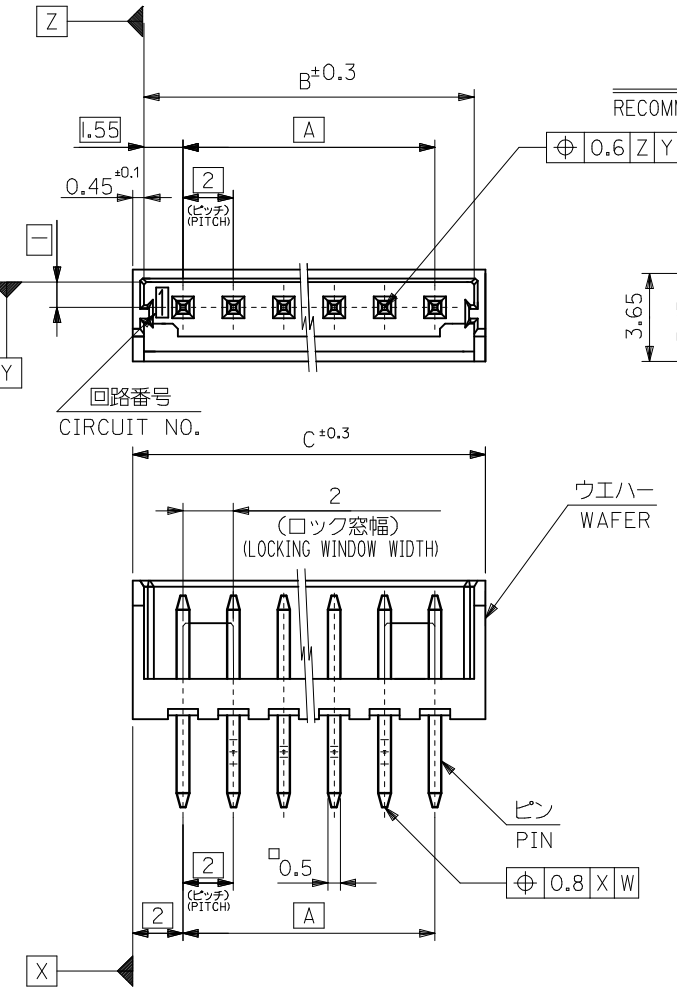
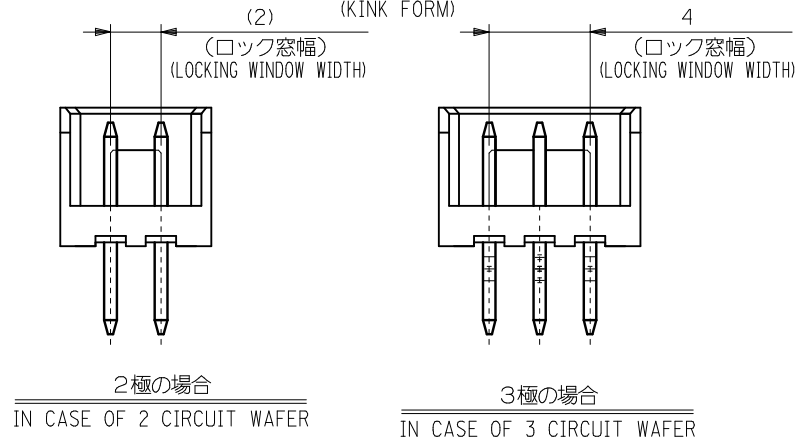
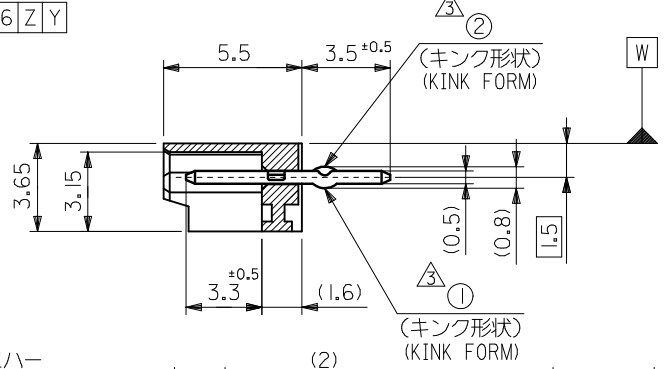
極数 CKT	回路番号 CKT NO.							
	1	2	3	4	5	N-2	N-1	N
6極以上 MORE THAN 6 CKT	—	①	②	—	—	②	①	—
5極 5 CKT	①	②	—	②	①			
4極 4 CKT	①	②	②	①				
3極 3 CKT	①	②	①					

4. 本製品は、53253-**70の金メッキ品です。
THIS PRODUCT IS AU PLATING OF 53253-**70.
5. 梱包仕様 PACKAGING
502603-**70 トレー TRAY

32	31.1	28	502603-1570	15
30	29.1	26	-1470	14
28	27.1	24	-1370	13
26	25.1	22	-1270	12
24	23.1	20	-1170	11
22	21.1	18	-1070	10
20	19.1	16	-0970	9
18	17.1	14	-0870	8
16	15.1	12	-0770	7
14	13.1	10	-0670	6
12	11.1	8	-0570	5
10	9.1	6	-0470	4
8	7.1	4	-0370	3
6	5.1	2	502603-0270	2
C	B	A	MATERIAL NO.	極数
MODEL NO.			502603-**70	



基板取付穴寸法 (参考) (t=1.6)
RECOMMENDED P.C. BOARD HOLE DIM. (REFERENCE)



REVISED	EC NO. J2017-0462	2017/02/17	DRWN:KUSATO	2017/02/17	CHKD:AIDA	APPR:TKANEKO	2017/03/02	GENERAL TOLERANCES (UNLESS SPECIFIED)			DIMENSION STYLE		SCALE	DESIGN UNITS		TITLE
								0.25 UNDER	UNDER	±0.03	MM ONLY		5:1	METRIC	THIRD ANGLE PROJECTION	
								0.25 OVER	0.5 UNDER	±0.05	DRAWN BY	DATE	NEW 2.0 WIRE TO BOARD CONN. WAFER ASSY (ST.) -LEAD FREE-			
								0.5 OVER	1.0 UNDER	±0.1	YMAEDA	2007/03/30	molex			
								1.0 OVER	10 UNDER	±0.2	CHECKED BY	DATE				
								10 OVER	30 UNDER	±0.25	KTOYOTA	2007/03/30	SD-502603-001			
								30 OVER		±0.3	APPROVED BY	DATE				
								ANGULAR	±3 °		NUKITA	2007/03/30	1 OF 1			
											MATERIAL NO.	DOCUMENT NO.				
											SEE CHART		THIS DRAWING CONTAINS INFORMATION THAT IS PROPRIETARY TO MOLEX ELECTRONIC TECHNOLOGIES, LLC AND SHOULD NOT BE USED WITHOUT WRITTEN PERMISSION			

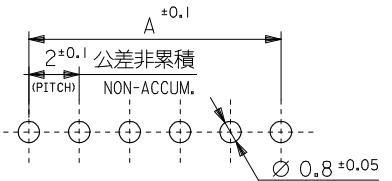
注記 NOTES

1. 嵌合相手 : 51065 シリーズ
MATE WITH : 51065 SERIES
2. 材質 MATERIAL
ウエハー : ポリアミド . UL94V-0
WAFER : PA , UL94V-0
ピン : 黄銅, 金メッキ
PIN : BRASS, GOLD (Au) PLATING
3. キングは下記表の位置及び形状に付加のこと。2極はキング無し。
KINK TO BE APPLIED AS FOLLOWS,
2 CIRCUIT HAS NO KINK.

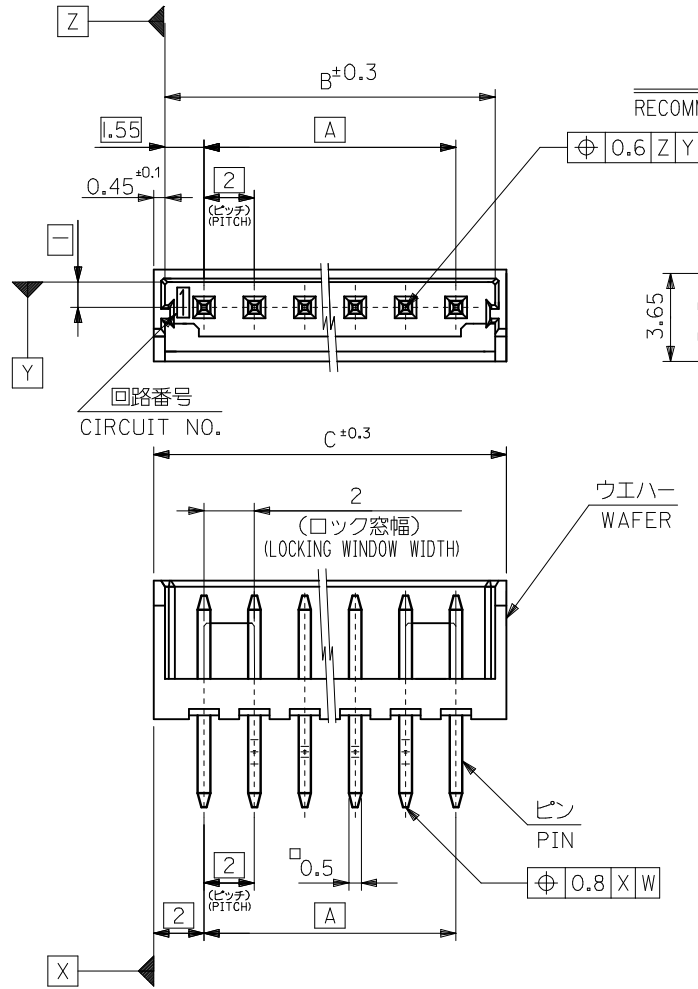
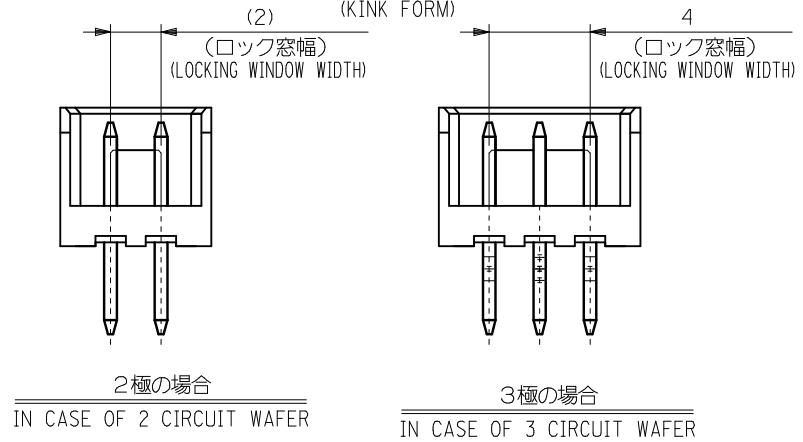
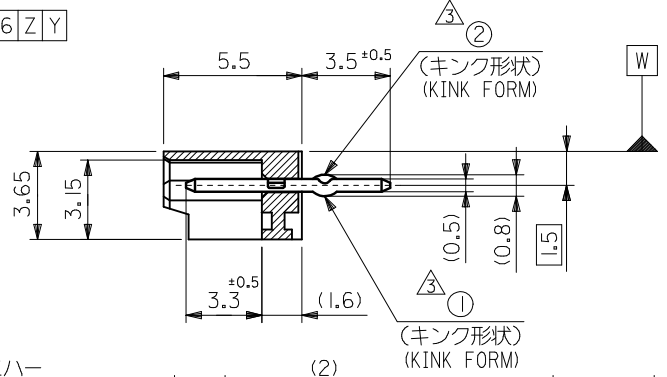
極数 CKT	回路番号 CKT NO.							
	1	2	3	4	5	N-2	N-1	N
6 極以上 MORE THAN 6 CKT	—	①	②	—	—	②	①	—
5 極 5 CKT	①	②	—	②	①			
4 極 4 CKT	①	②	②	①				
3 極 3 CKT	①	②	①					

4. 本製品は、53253-**70の金メッキ品です。
THIS PRODUCT IS AU PLATING OF 53253-**70.
5. 梱包仕様 PACKAGING
502603-**70 トレー TRAY

32	31.1	28	502603-1570	15
30	29.1	26	-1470	14
28	27.1	24	-1370	13
26	25.1	22	-1270	12
24	23.1	20	-1170	11
22	21.1	18	-1070	10
20	19.1	16	-0970	9
18	17.1	14	-0870	8
16	15.1	12	-0770	7
14	13.1	10	-0670	6
12	11.1	8	-0570	5
10	9.1	6	-0470	4
8	7.1	4	-0370	3
6	5.1	2	502603-0270	2
C	B	A	MATERIAL NO.	極数
MODEL NO.			502603-**70	



基板取付穴寸法 (参考) (t=1.6)
RECOMMENDED P.C. BOARD HOLE DIM. (REFERENCE)



REVISED	GENERAL TOLERANCES (UNLESS SPECIFIED)			DIMENSION STYLE		SCALE	DESIGN UNITS	
	0.25 UNDER	0.25 OVER	0.5 UNDER	MM ONLY	DATE	5:1	METRIC	THIRD ANGLE PROJECTION
EC NO: J2017-0462	±0.03	±0.05	±0.1	DRAWN BY	DATE			
2017/02/17	±0.1	±0.2	±0.25	YMAEDA	2007/03/30			
DRW:KUSATO	±0.25	±0.3		CHECKED BY	DATE			
2017/02/17				KTOYOTA	2007/03/30			
CHK:DAIDA				APPROVED BY	DATE			
2017/03/02				NUKITA	2007/03/30			
APPR:TKANEKO				MATERIAL NO.				
	ANGULAR	±3 °		SEE CHART				
	DRAFT WHERE APPLICABLE MUST REMAIN WITHIN DIMENSIONS			SIZE				
A				A3				

NEW 2.0 WIRE TO BOARD
CONN. WAFER ASSY (ST.)
-LEAD FREE-



SD-502603-001

SHEET NO.
1 OF 1

THIS DRAWING CONTAINS INFORMATION THAT IS PROPRIETARY TO MOLEX ELECTRONIC TECHNOLOGIES, LLC AND SHOULD NOT BE USED WITHOUT WRITTEN PERMISSION

X-ON Electronics

Largest Supplier of Electrical and Electronic Components

Click to view similar products for [Headers & Wire Housings](#) category:

Click to view products by [MOLEX](#) manufacturer:

Other Similar products are found below :

[95000-104TRLF](#) [10135584-644402LF](#) [DF62W-EP2022PCA](#) [95000-106TRLF](#) [DF62W-2022SCA](#) [DF62W-EP2022PC](#) [2203348](#) [DF62W-2022SC](#) [1084018](#) [1029039](#) [1084017](#) [802-10-012-10-002000](#) [1112640](#) [1112639](#) [891-007-9SS-BST1T](#) [000-34000](#) [0008550134](#) [0009482033](#) [0009507031](#) [57102-F02-18ULF](#) [57102-S06-03LF](#) [57202-S52-04LF](#) [PCN6-15S-2.5E](#) [0039019024](#) [58102-G61-06LF](#) [582553-1](#) [0009485154](#) [0009508121](#) [0022285053](#) [0050291907](#) [018731A](#) [LY20-4P-DT1-P1E-BR](#) [02.125.8002.8](#) [60101931](#) [60598-1 \(Cut Strip\)](#) [M1625-3R/100](#) [61062-3](#) [61082-181009](#) [CSU011177004](#) [636-1427](#) [638009-1](#) [641938-9](#) [641991-4](#) [644168-1](#) [644827-2](#) [647662-1](#) [65039-019ELF](#) [65692-001LF](#) [65781-018](#) [65781-047](#)