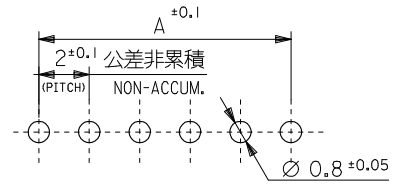


注記 NOTES

1. 嵌合相手 : 51065 シリーズ
MATE WITH : 51065 SERIES
2. 材質 MATERIAL
ウエハー : ポリアミド、UL94V-0
WAFER : PA , UL94V-0
ピン : 黄銅、金メッキ
PIN : BRASS, GOLD (Au) PLATING
3. キングは下記表の位置及び形状に付加のこと。2極はキング無し。
KINK TO BE APPLIED AS FOLLOWS,
2 CIRCUIT HAS NO KINK.

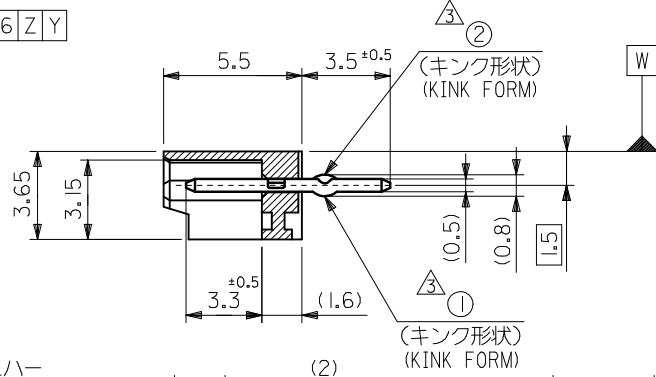
極数 CKT	回路番号 CKT NO.	回路番号							
		1	2	3	4	5	N-2	N-1	N
6極以上	MORE THAN 6 CKT	—	①	②	—	—	②	①	—
5極	5 CKT	①	②	—	②	①			
4極	4 CKT	①	②	②	①				
3極	3 CKT	①	②	①					

4. 本製品は、53253-**70の金メッキ品です。
THIS PRODUCT IS AU PLATING OF 53253-**70.
5. 梱包仕様 PACKAGING
502603-**70 トレー TRAY

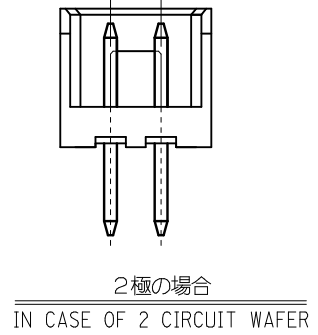


基板取付穴寸法 (参考) (t=1.6)

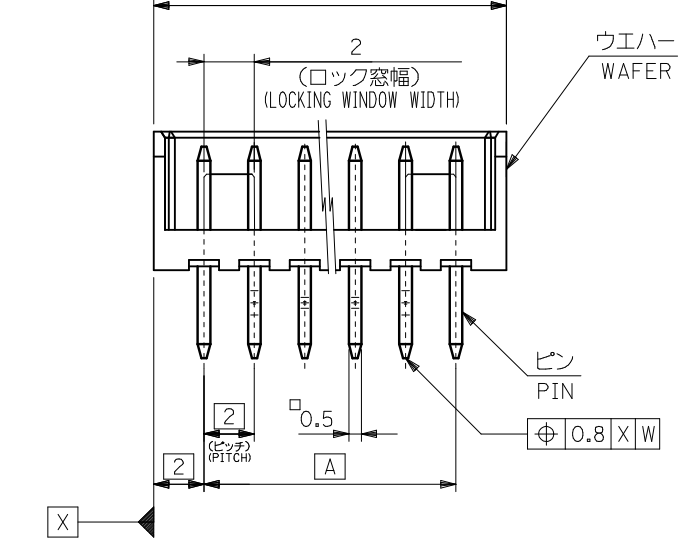
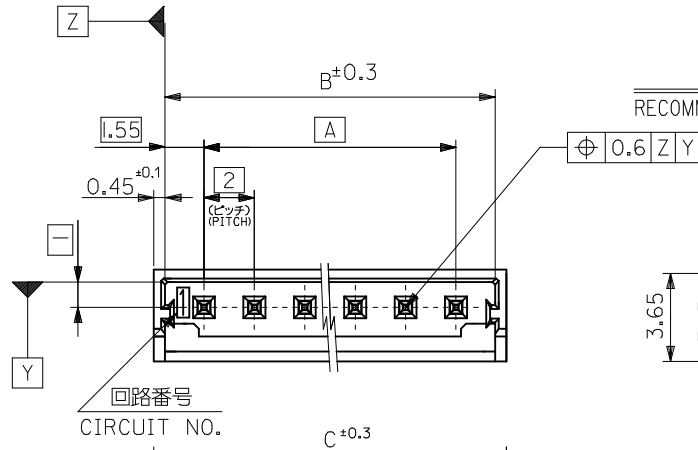
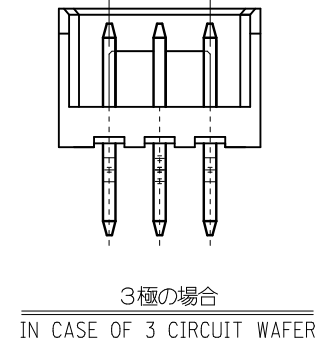
RECOMMENDED P.C. BOARD HOLE DIM. (REFERENCE)



(2) (キング形状) (KINK FORM)
(2) (ロック窓幅) (LOCKING WINDOW WIDTH)



4 (キング形状) (KINK FORM)
(4) (ロック窓幅) (LOCKING WINDOW WIDTH)



32	31.1	28	502603-1570	15
30	29.1	26	-1470	14
28	27.1	24	-1370	13
26	25.1	22	-1270	12
24	23.1	20	-1170	11
22	21.1	18	-1070	10
20	19.1	16	-0970	9
18	17.1	14	-0870	8
16	15.1	12	-0770	7
14	13.1	10	-0670	6
12	11.1	8	-0570	5
10	9.1	6	-0470	4
8	7.1	4	-0370	3
6	5.1	2	502603-0270	2
C	B	A	MATERIAL NO.	極数
MODEL NO.			502603-**70	

REVISED EC NO: J2017-0462 2017/02/17 DRINKUSATO 2017/02/17 CHYDAIDA 2017/03/02 APPR:TKANEKO	GENERAL TOLERANCES (UNLESS SPECIFIED)		DIMENSION STYLE MM ONLY		SCALE 5:1	DESIGN UNITS METRIC	THIRD ANGLE PROJECTION
	0.25 UNDER	UNDER	±0.03	DRAWN BY YMAEDA	DATE 2007/03/30	TITLE NEW 2.0 WIRE TO BOARD CONN. WAFER ASSY (ST.) -LEAD FREE-	
	0.25 OVER	0.5 UNDER	±0.05	CHECKED BY KTOYOTA	DATE 2007/03/30	molex	
	0.5 OVER	1.0 UNDER	±0.1	APPROVED BY NUKITA	DATE 2007/03/30		
	1.0 OVER	10 UNDER	±0.2	MATERIAL NO.	DOCUMENT NO.	SD-502603-001	
10 OVER	30 UNDER	±0.25	SEE CHART		SHEET NO. 1 OF 1		
30 OVER		±0.3	DRAFT WHERE APPLICABLE MUST REMAIN WITHIN DIMENSIONS		THIS DRAWING CONTAINS INFORMATION THAT IS PROPRIETARY TO MOLEX ELECTRONIC TECHNOLOGIES, LLC AND SHOULD NOT BE USED WITHOUT WRITTEN PERMISSION		

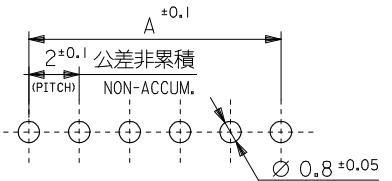
注記 NOTES

1. 嵌合相手：51065 シリーズ
MATE WITH：51065 SERIES
2. 材質 MATERIAL
ウエハー：ポリアミド、UL94V-0
WAFER：PA、UL94V-0
ピン：黄銅、金メッキ
PIN：BRASS, GOLD (Au) PLATING
3. キングは下記表の位置及び形状に付加のこと。2極はキング無し。
KINK TO BE APPLIED AS FOLLOWS,
2 CIRCUIT HAS NO KINK.

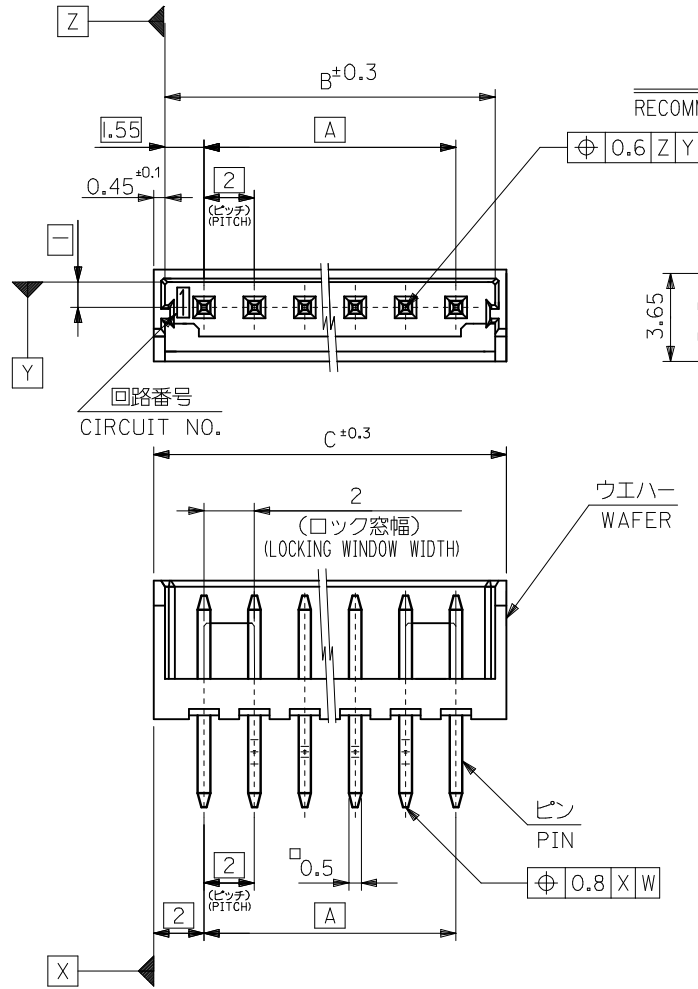
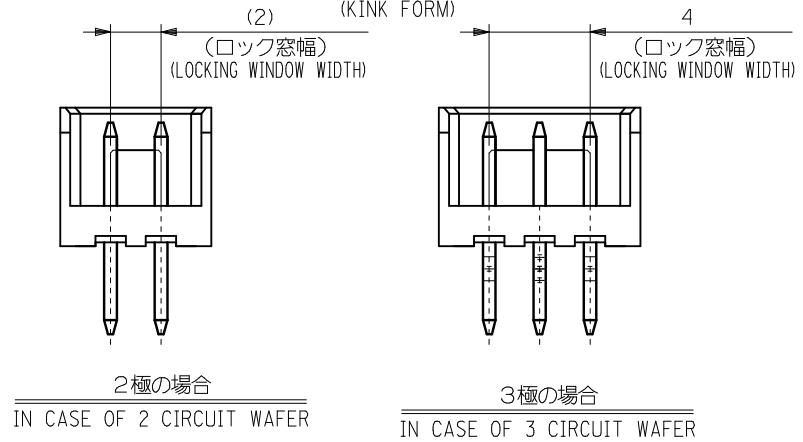
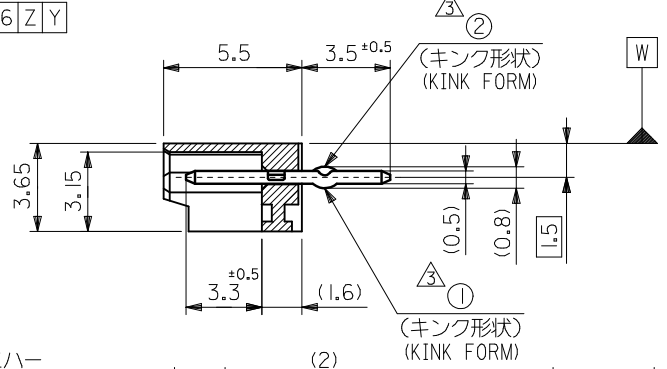
極数 CKT	回路番号 CKT NO.							
	1	2	3	4	5	N-2	N-1	N
6 極以上 MORE THAN 6 CKT	—	①	②	—	—	②	①	—
5 極 5 CKT	①	②	—	②	①			
4 極 4 CKT	①	②	②	①				
3 極 3 CKT	①	②	①					

4. 本製品は、53253-**70の金メッキ品です。
THIS PRODUCT IS AU PLATING OF 53253-**70.
5. 梱包仕様 PACKAGING
502603-**70 トレー TRAY

32	31.1	28	502603-1570	15
30	29.1	26	-1470	14
28	27.1	24	-1370	13
26	25.1	22	-1270	12
24	23.1	20	-1170	11
22	21.1	18	-1070	10
20	19.1	16	-0970	9
18	17.1	14	-0870	8
16	15.1	12	-0770	7
14	13.1	10	-0670	6
12	11.1	8	-0570	5
10	9.1	6	-0470	4
8	7.1	4	-0370	3
6	5.1	2	502603-0270	2
C	B	A	MATERIAL NO.	極数
MODEL NO.			502603-**70	



基板取付穴寸法 (参考) (t=1.6)
RECOMMENDED P.C. BOARD HOLE DIM. (REFERENCE)



REVISED	GENERAL TOLERANCES (UNLESS SPECIFIED)			DIMENSION STYLE		SCALE	DESIGN UNITS	
	0.25 UNDER	0.25 OVER	0.5 UNDER	MM ONLY	DATE	5:1	METRIC	THIRD ANGLE PROJECTION
EC NO: J2017-0462	±0.03	±0.05	±0.1	DRAWN BY	DATE	TITLE	NEW 2.0 WIRE TO BOARD CONN. WAFER ASSY (ST.) -LEAD FREE-	
2017/02/17	±0.1	±0.2	±0.25	YMAEDA	2007/03/30			
DRWN:KUSATO	±0.2	±0.3		CHECKED BY	DATE		molex	
2017/02/17				KTOYOTA	2007/03/30			
CHKD:AIDA				APPROVED BY	DATE		SD-502603-001	
2017/03/02				NUKITA	2007/03/30			
APPR:TKANEKO				MATERIAL NO.		DOCUMENT NO.	SHEET NO. 1 OF 1	
				SEE CHART				
A	DRAFT WHERE APPLICABLE MUST REMAIN WITHIN DIMENSIONS			SIZE	THIS DRAWING CONTAINS INFORMATION THAT IS PROPRIETARY TO MOLEX ELECTRONIC TECHNOLOGIES, LLC AND SHOULD NOT BE USED WITHOUT WRITTEN PERMISSION			
				A3				

X-ON Electronics

Largest Supplier of Electrical and Electronic Components

Click to view similar products for [Headers & Wire Housings](#) category:

Click to view products by [Molex](#) manufacturer:

Other Similar products are found below :

[95000-104TRLF](#) [10135584-644402LF](#) [DF62W-EP2022PCA](#) [95000-106TRLF](#) [DF62W-2022SCA](#) [DF62W-EP2022PC](#) [2203348](#) [DF62W-2022SC](#) [1084018](#) [1029039](#) [1084017](#) [802-10-012-10-002000](#) [1112640](#) [1112639](#) [891-007-9SS-BST1T](#) [000-34000](#) [0008550134](#) [0009482033](#) [0009507031](#) [57102-F02-18ULF](#) [57102-S06-03LF](#) [57202-S52-04LF](#) [PCN6-15S-2.5E](#) [0039019024](#) [58102-G61-06LF](#) [582553-1](#) [0009485154](#) [0009508121](#) [0022285053](#) [0050291907](#) [018731A](#) [LY20-4P-DT1-P1E-BR](#) [02.125.8002.8](#) [60101931](#) [60598-1 \(Cut Strip\)](#) [M1625-3R/100](#) [61062-3](#) [61082-181009](#) [CSU011177004](#) [636-1427](#) [638009-1](#) [641938-9](#) [641991-4](#) [644168-1](#) [644827-2](#) [647662-1](#) [65039-019ELF](#) [65692-001LF](#) [65781-018](#) [65781-047](#)