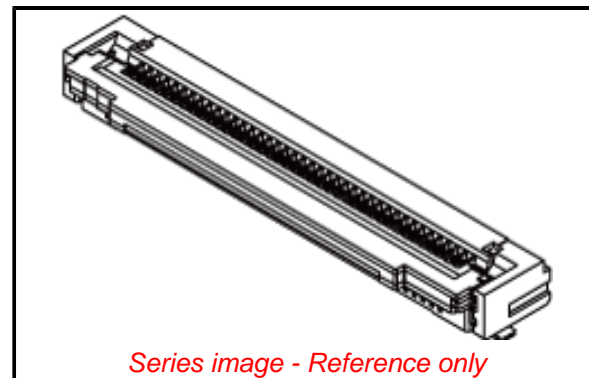


**PLEASE CHECK WWW.MOLEX.COM FOR LATEST PART INFORMATION**

**Part Number:** **5027906091**  
**Status:** **Active**  
**Overview:** FFC-FPC (SMT)  
**Description:** 0.50mm Pitch Easy-On Front Flip FPC Connector, Surface Mount, ZIF, Double Bottom Contact, 2.50mm Height, Accepts FFC/FPC with Ear-tabs, 60 Circuits

**Documents:**

|   |  |
|---|--|
| <a href="#">3D Model</a>                                      | <a href="#">Product Specification PS-502790-002-001 (PDF)</a>    |
| <a href="#">Drawing (PDF)</a>                                 | <a href="#">Packaging Specification SPK-502790-001-001 (PDF)</a> |
| <a href="#">Product Specification PS-502790-001-001 (PDF)</a> | <a href="#">RoHS Certificate of Compliance (PDF)</a>             |



**General**

|                |                    |
|----------------|--------------------|
| Product Family | FFC/FPC Connectors |
| Series         | 502790             |
| Overview       | FFC-FPC (SMT)      |
| Product Name   | Easy-On            |
| UPC            | 883906339678       |

**Physical**

|                                |                       |
|--------------------------------|-----------------------|
| Actuator Type                  | Flip                  |
| Circuits (Loaded)              | 60                    |
| Color - Resin                  | Beige                 |
| Contact Position               | Bottom                |
| Mated Height                   | 2.50mm                |
| Material - Metal               | Phosphor Bronze       |
| Material - Plating Mating      | Gold                  |
| Material - Plating Termination | Gold                  |
| Net Weight                     | 548.381/mg            |
| Number of Rows                 | 1                     |
| Orientation                    | Right Angle           |
| PCB Mounting                   | Surface Mount         |
| PCB Retention                  | Yes                   |
| Packaging Type                 | Embossed Tape on Reel |
| Pitch - Mating Interface       | 0.50mm                |
| Polarized to PCB               | Yes                   |
| Stackable                      | No                    |
| Temperature Range - Operating  | -40° to +105°C        |
| Wire/Cable Type                | FPC only              |

**Electrical**

|                               |                 |
|-------------------------------|-----------------|
| Current - Maximum per Contact | 0.5A            |
| Voltage - Maximum             | 50V AC (RMS)/DC |

**Material Info**

**Reference - Drawing Numbers**

|                         |                                      |
|-------------------------|--------------------------------------|
| Packaging Specification | SPK-502790-001-001                   |
| Product Specification   | PS-502790-001-001, PS-502790-002-001 |
| Sales Drawing           | SD-502790-001, SD-502790-002         |

**EU ELV**

**Not Relevant**

**EU RoHS**

**Compliant**

**REACH SVHC**

Not Contained Per -  
ED/61/2018 (27 June  
2018)

**Halogen-Free**

**Status**

**Not Low-Halogen**

For more information, please visit [Contact US](#)

China ROHS

ELV

RoHS Phthalates

**China RoHS**

Green Image

Not Relevant

Not Contained

**Search Parts in this Series**

[502790 Series](#)

## X-ON Electronics

Largest Supplier of Electrical and Electronic Components

*Click to view similar products for [FFC & FPC Connectors](#) category:*

*Click to view products by [Molex](#) manufacturer:*

Other Similar products are found below :

[FPH-1422G](#) [FPH-1602G](#) [K-FC20](#) [FH29B-80S-0.2SHW\(99\)](#) [FPH-2022G](#) [AYF332735](#) [52610-1075](#) [52610-1275](#) [52610-1934](#) [501864-3091-TR225](#) [086222026001800](#) [52610-0675](#) [62684-36210E9ALF](#) [52746-1671-TR250](#) [10051922-2810EHLF](#) [6-520415-9](#) [SFV6R-1STE9HLF](#) [XF3M-2915-1B-R100](#) [1658549-1](#) [AYF534065TA](#) [AYF351525](#) [086212040340800+](#) [AYF530365TA](#) [67000-014LF](#) [67000-004LF](#) [006207341915000+](#) [DS1020-19RT1D](#) [67000-003LF](#) [67000-011LF](#) [67000-016LF](#) [HFW14R-2STE9LF](#) [SFV32R-2STBE9HLF](#) [SFW12R-5STE9LF](#) [SFW18R-1STAE9LF](#) [SFW4R-5STE9LF](#) [52807-0430](#) [046283021002868+](#) [THD1015-8CL-SN](#) [67000-006LF](#) [502250-8027](#) [104267-9617](#) [66987-011LF](#) [AYF362535](#) [F0501-T-50-20T-R](#) [F1003-ZV-12-25T-R](#) [HFW8S-2STAE1HLF](#) [67000-008LF](#) [67000-012LF](#) [ECC576069EU](#) [F1002-B-20-20T-R](#)