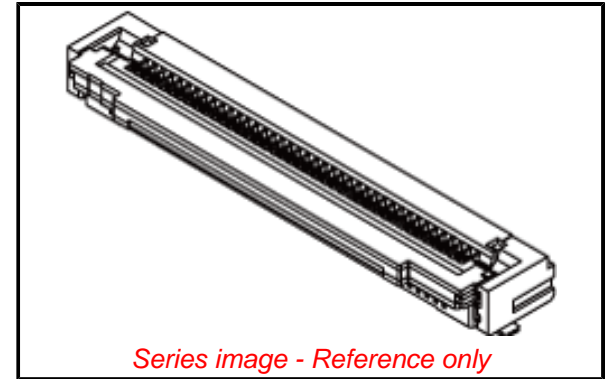


PLEASE CHECK WWW.MOLEX.COM FOR LATEST PART INFORMATION

Part Number: [5027906491](#)
Status: **Active**
Overview: FFC-FPC (SMT)
Description: 0.50mm Pitch Easy-On Front Flip FPC Connector, Surface Mount, ZIF, Double Bottom Contact, 2.50mm Height, Accepts FFC/FPC with Ear-tabs, 64 Circuits

Documents:

| | |
|---|--|
| 3D Model | Product Specification PS-502790-002-001 (PDF) |
| Drawing (PDF) | Packaging Specification SPK-502790-001-001 (PDF) |
| Product Specification PS-502790-001-001 (PDF) | RoHS Certificate of Compliance (PDF) |



General

| | |
|----------------|-------------------------------|
| Product Family | FFC/FPC Connectors |
| Series | 502790 |
| Overview | FFC-FPC (SMT) |
| Product Name | Easy-On |
| UPC | 883906339685 |

Physical

| | |
|--------------------------------|-----------------------|
| Actuator Type | Flip |
| Circuits (Loaded) | 64 |
| Color - Resin | Beige |
| Contact Position | Bottom |
| Mated Height | 2.50mm |
| Material - Metal | Phosphor Bronze |
| Material - Plating Mating | Gold |
| Material - Plating Termination | Gold |
| Net Weight | 558.117/mg |
| Number of Rows | 1 |
| Orientation | Right Angle |
| PCB Mounting | Surface Mount |
| PCB Retention | Yes |
| Packaging Type | Embossed Tape on Reel |
| Pitch - Mating Interface | 0.50mm |
| Polarized to PCB | Yes |
| Stackable | No |
| Temperature Range - Operating | -40° to +105°C |
| Wire/Cable Type | FPC only |

Electrical

| | |
|-------------------------------|-----------------|
| Current - Maximum per Contact | 0.5A |
| Voltage - Maximum | 50V AC (RMS)/DC |

Material Info

Reference - Drawing Numbers

| | |
|-------------------------|--------------------------------------|
| Packaging Specification | SPK-502790-001-001 |
| Product Specification | PS-502790-001-001, PS-502790-002-001 |
| Sales Drawing | SD-502790-001, SD-502790-002 |

EU ELV

Not Relevant

EU RoHS

Compliant

REACH SVHC

Not Contained Per -
ED/61/2018 (27 June
2018)

Halogen-Free

Status

Not Low-Halogen

For more information, please visit [Contact US](#)

China ROHS

ELV

RoHS Phthalates

China RoHS

Green Image

Not Relevant

Not Contained

Search Parts in this Series

[502790 Series](#)

X-ON Electronics

Largest Supplier of Electrical and Electronic Components

Click to view similar products for [FFC & FPC Connectors](#) category:

Click to view products by [Molex](#) manufacturer:

Other Similar products are found below :

[FPH-1422G](#) [FPH-1602G](#) [K-FC20](#) [FH29B-80S-0.2SHW\(99\)](#) [FPH-2022G](#) [AYF332735](#) [52610-1075](#) [52610-1275](#) [52610-1934](#) [501864-3091-TR225](#) [086222026001800](#) [52610-0675](#) [62684-36210E9ALF](#) [52746-1671-TR250](#) [10051922-2810EHLF](#) [6-520415-9](#) [SFV6R-1STE9HLF](#) [XF3M-2915-1B-R100](#) [1658549-1](#) [AYF534065TA](#) [AYF351525](#) [086212040340800+](#) [AYF530365TA](#) [67000-014LF](#) [67000-004LF](#) [006207341915000+](#) [DS1020-19RT1D](#) [67000-003LF](#) [67000-011LF](#) [67000-016LF](#) [HFW14R-2STE9LF](#) [SFV32R-2STBE9HLF](#) [SFW12R-5STE9LF](#) [SFW18R-1STAE9LF](#) [SFW4R-5STE9LF](#) [52807-0430](#) [046283021002868+](#) [THD1015-8CL-SN](#) [67000-006LF](#) [502250-8027](#) [104267-9617](#) [66987-011LF](#) [AYF362535](#) [F0501-T-50-20T-R](#) [F1003-ZV-12-25T-R](#) [HFW8S-2STAE1HLF](#) [67000-008LF](#) [67000-012LF](#) [ECC576069EU](#) [F1002-B-20-20T-R](#)