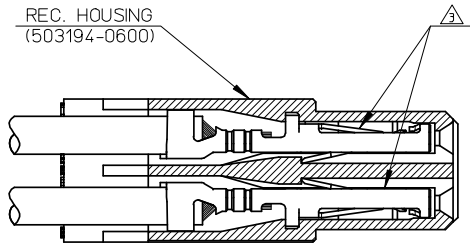


注記
NOTES:

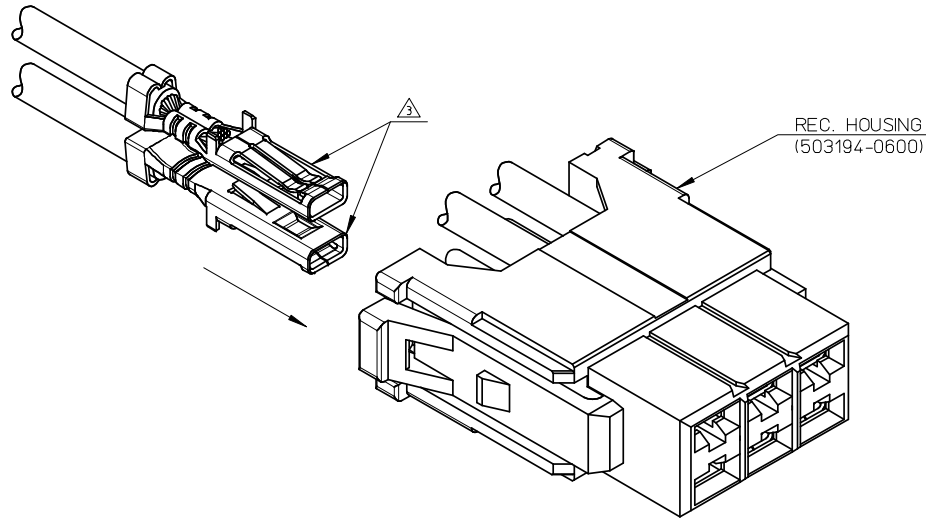
1. 材質
MATERIAL
ナイロン (PA), ガラス充填, UL94V-0, 色: 自然色 (白)
NYLON (PA), GLASS FILLED, UL94V-0, COLOR: NATURAL (WHITE)
2. 嵌合相手: 503193-0600
MATE WITH: 503193-0600
3. 適合端子: 503196シリーズ
APPLICABLE TERMINAL: 503196 SERIES
4. 適合シェル: 58687-00*0 (プラグ シェル アッセンブリ)
58691-00*0 (リセパタクル シェル アッセンブリ)
APPLICABLE SHELL: 58687-00*0 (PLUG SHELL ASSEMBLY)
58691-00*0 (REC. SHELL ASSEMBLY)
5. 適用端子引抜き工具: 578056-6000
APPLICABLE TERMINAL EXTRACTION TOOL: 578056-6000
6. ハーネス加工時及び輸送時においては、コネクタ間での絡みや衝撃、
梱包時の積み重ねによる負荷がかからないように御注意願います。
WHEN TAKING A HARNESS CONNECTOR SHALL BE USED FREE
FORM DIRECT EXCESSIVE FORCE AND TWISTED.
7. 製品の取扱いについては、コネクタ取扱い説明書 (AS-58696-001) を参照願います。
PLEASE REFER TO USER'S MANUAL (AS-58696-001) FOR ROBOT CONN.
8. ELV及びRoHS適合品
ELV And RoHS COMPLIANT

503194-0600	503194-06**	6
PLASTIC BAG	MODEL No.	CIRCUIT 極数
オーダー番号 ORDER No.		

RELEASED EC NO.: J2008-3396 DRWN: SAKI IYAMA 2008/03/26 CHKD: S. SATO 2008/03/26 APPR: S. ICHIKAWA 2008/03/26 REV: O	GENERAL TOLERANCES (UNLESS SPECIFIED)		DIMENSION STYLE	SCALE	DESIGN UNITS	THIRD ANGLE PROJECTION
			MM ONLY	//	METRIC	
	10 UNDER	± 0.2	DRAWN BY	DATE	TITLE	
	10 OVER 30 UNDER	± 0.25	S. AKIYAMA	08/02/07	ROBOT CONN. 6P REC. HOUSING	
	30 OVER	± 0.3	CHECKED BY	DATE		
	ANGULAR ± 3 °	S. SATO	08/02/07			
	DRAFT WHERE APPLICABLE MUST REMAIN WITHIN DIMENSIONS	APPROVED BY	DATE	MOLEX INCORPORATED		
		S. ICHIKAWA	08/02/07	DOCUMENT NO.		
		MATERIAL NO.	SEE CHART		SD-503194-001	SHEET NO.
		SIZE	THIS DRAWING CONTAINS INFORMATION THAT IS PROPRIETARY TO MOLEX INCORPORATED AND SHOULD NOT BE USED WITHOUT WRITTEN PERMISSION			1 OF 2
		A3				



端子装着状態図
CRIMP TERMINAL ASSEMBLY



端子挿入方向
DIRECTION OF TERMINAL INSERTION

RELEASED EC NO: J2008-3396 DRWNSAKIYAMA 2008/03/25 CHKD.S.SATO 2008/03/26 APPR.S.ICHIKAWA 2008/03/26	GENERAL TOLERANCES (UNLESS SPECIFIED)		DIMENSION STYLE MM ONLY		SCALE --#	DESIGN UNITS METRIC	THIRD ANGLE PROJECTION
	10 UNDER	±0.2	DRAWN BY S.AKIYAMA	DATE 08/02/07	TITLE ROBOT CONN. 6P REC. HOUSING		
	10 OVER 30 UNDER	±0.25	CHECKED BY S.SATO	DATE 08/02/07			
	30 OVER	±0.3	APPROVED BY S.ICHIKAWA	DATE 08/02/07	MOLEX INCORPORATED		
ANGULAR	±3 °	MATERIAL NO.	DOCUMENT NO.	SHEET NO.			
DRAFT WHERE APPLICABLE MUST REMAIN WITHIN DIMENSIONS		SEE CHART		SD-503194-001		2 OF 2	
		SIZE A3		THIS DRAWING CONTAINS INFORMATION THAT IS PROPRIETARY TO MOLEX INCORPORATED AND SHOULD NOT BE USED WITHOUT WRITTEN PERMISSION			

X-ON Electronics

Largest Supplier of Electrical and Electronic Components

Click to view similar products for [Headers & Wire Housings](#) category:

Click to view products by [Molex](#) manufacturer:

Other Similar products are found below :

[892-18-020-10-001101](#) [58102-G61-06LF](#) [582553-1](#) [0009485154](#) [009176003701906](#) [0050291907](#) [LY20-4P-DT1-P1E-BR](#) [02.125.8002.8](#)
[609-3404](#) [61062-3](#) [622-0430](#) [622-3653LF](#) [63453-116](#) [636-1030](#) [636-1427](#) [636-3427](#) [636-4007](#) [641938-9](#) [641991-4](#) [644827-2](#) [65817-010LF](#)
[65817-015LF](#) [65863-015LF](#) [66207-023LF](#) [67095-007LF](#) [67601157](#) [68648-049](#) [70.362.1628.0](#) [70-4210](#) [70-4226B](#) [70-4853B](#) [707-5020](#) [707-](#)
[5028](#) [71.350.2428.0](#) [71918-208LF](#) [71961-016LF](#) [733-134](#) [733-162](#) [754199-000](#) [760-3052](#) [787-8014-00](#) [79531-3000](#) [FCN-360C032-B](#) [FCN-](#)
[367T-T012/H](#) [FCN-723D010/2](#) [80.063.4001.1](#) [800-90-001-10-001000](#) [800-90-010-10-002000](#) [801-43-002-10-013000](#) [801-43-006-10-002000](#)