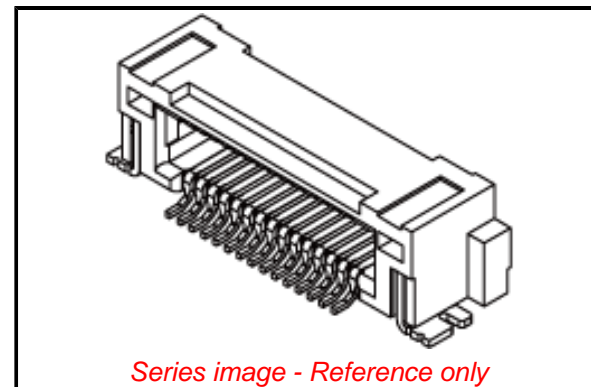


**PLEASE CHECK WWW.MOLEX.COM FOR LATEST PART INFORMATION**

**Part Number:** **5033764010**  
**Status:** **Active**  
**Overview:** SlimStack Board-to-Board/Board-to-FPC Connectors  
**Description:** SlimStack Board-to-Board Plug, 0.40mm Pitch, Surface Mount, Dual Row, Right-Angle, with Solder Tabs and Plastic Pegs, 40 Circuits

**Documents:**

|  |  |
|--|--|
| <a href="#">3D Model</a>                                     | <a href="#">Product Specification PS-54552-024-001 (PDF)</a>     |
| <a href="#">Drawing (PDF)</a>                                | <a href="#">Packaging Specification SPK-503376-001-001 (PDF)</a> |
| <a href="#">3D Model (PDF)</a>                               | <a href="#">Datasheet (PDF)</a>                                  |
| <a href="#">Product Specification PS-54552-023-001 (PDF)</a> | <a href="#">RoHS Certificate of Compliance (PDF)</a>             |



**General**

|                |  |
|----------------|--|
| Product Family | PCB Headers                                      |
| Series         | 503376   |
| Application    | Board-to-Board, Signal                           |
| Overview       | SlimStack Board-to-Board/Board-to-FPC Connectors |
| Product Name   | SlimStack  |
| Series Name    | 0.4, RA  |
| UPC            | 884982061262                                     |

**Physical**

|                                |                       |
|--------------------------------|-----------------------|
| Breakaway                      | No                    |
| Circuits (Loaded)              | 40                    |
| Circuits (maximum)             | 40                    |
| Color - Resin                  | Black                 |
| Durability (mating cycles max) | 30                    |
| Glow-Wire Capable              | No                    |
| Material - Metal               | Phosphor Bronze       |
| Material - Plating Mating      | Gold                  |
| Material - Plating Termination | Gold                  |
| Net Weight                     | 149.440/mg            |
| Number of Rows                 | 2                     |
| Orientation                    | Right Angle           |
| PCB Locator                    | Yes                   |
| PCB Retention                  | Yes                   |
| Packaging Type                 | Embossed Tape on Reel |
| Pitch - Mating Interface       | 0.40mm                |
| Pitch - Termination Interface  | 0.40mm                |
| Temperature Range - Operating  | -40° to +105°C        |
| Termination Interface: Style   | Surface Mount         |

**Electrical**

|                               |                 |
|-------------------------------|-----------------|
| Current - Maximum per Contact | 0.3A            |
| Voltage - Maximum             | 30V AC (RMS)/DC |

**Material Info**

**Reference - Drawing Numbers**

|                         |   |
|-------------------------|---|
| Packaging Specification | SPK-503376-001-001                                      |
| Product Specification   | PS-54552-023-001, PS-54552-024-001                      |
| Sales Drawing           | SD-503376-001-001, SD-503376-002-001, SD-503376-002-002 |

**EU ELV**

**Not Relevant**

**EU RoHS**

**Compliant**

**REACH SVHC**

Not Contained Per -  
D(2021)4569-DC (8  
July 2021)

**Halogen-Free**

**Status**

**Low-Halogen**

For more information, please visit [Contact US](#)

China ROHS

ELV

RoHS Phthalates

**China RoHS**

Green Image

Not Relevant

Not Contained

**Search Parts in this Series**

503376 Series

**Mates With**

54552 PCB Receptacle

## X-ON Electronics

Largest Supplier of Electrical and Electronic Components

*Click to view similar products for [Board to Board & Mezzanine Connectors](#) category:*

*Click to view products by [Molex](#) manufacturer:*

Other Similar products are found below :

[589158040000018](#) [MDF7C-18P-2.54DSA\(55\)](#) [FCN-230C068-11](#) [FCN-268F012-G/BD](#) [FCN-268F036-G/BD](#) [FCN-268M012-G/0D](#) [FCN-268M024-G/1D](#) [FCN-723J004/1](#) [MIS-048-01-F-D-DP-K](#) [832-10-034-10-001000](#) [FX4C-80S-1.27DSA](#) [FCN-214Q030-G/0](#) [FCN-234P048-G/0](#) [FCN-235D050-G/C](#) [2-22603-0](#) [AXG720047](#) [5031084030](#) [MIT-114-03-F-D-K](#) [55323-1519](#) [YFT-20-05-H-03-SB-K](#) [503308-3040](#) [026-6203-PDB](#) [027-6203-PDB](#) [069159702701000](#) [10123981-102LF](#) [101A10019X](#) [55650-0588-C](#) [68682-310LF](#) [68684-306](#) [75140-7012](#) [87471-650](#) [194261-1](#) [FCN-268F024-G0D](#) [10124054-515LF](#) [68685-603](#) [8-1616154-3](#) [MIS-019-01-F-D](#) [FCN-268M024-G/3D](#) [FCN-268M036-G/BD](#) [20021832-06016C1LF](#) [KX15-20KLDL-E1000E](#) [AXE810124](#) [FCN-214J100-G/0](#) [FCN-230C068-E/S](#) [AXE812124](#) [AXE816124](#) [AXE720127](#) [354184](#) [MIT-019-04-F-D-K](#) [P50-028-DDS-TG](#)