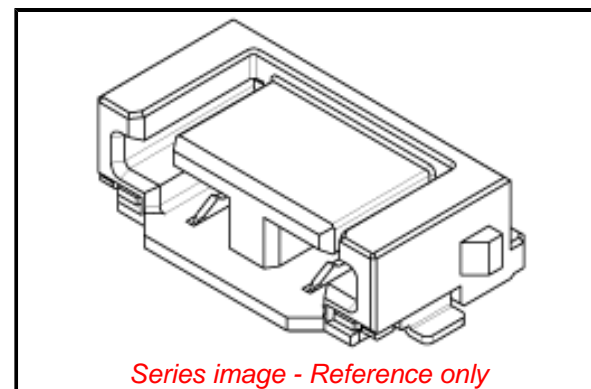


PLEASE CHECK WWW.MOLEX.COM FOR LATEST PART INFORMATION

Part Number: [5034710200](#)
Status: **Active**
Overview: [Flexi-Mate Connector System](#)
Description: Flexi-Mate 3.70mm Pitch Board-to-Board/Wire-to-Board Receptacle, Surface Mount, Right-Angle, 3.00mm Stacking Height, 2 Circuits

Documents:

3D Model	Application Specification AS-503471-001-061 (PDF)
Drawing (PDF)	Packaging Specification SPK-503471-001-001 (PDF)
Product Specification 5034710000-000 (PDF)	RoHS Certificate of Compliance (PDF)
Product Specification PS-503471-001-001 (PDF)	



Agency Certification

UL E29179

General

Product Family	PCB Receptacles
Series	503471
Application	Board-to-Board, Power, Wire-to-Board
Overview	Flexi-Mate Connector System
Product Name	Flexi-Mate
UPC	883906918637

Physical

Circuits (Loaded)	2
Circuits (maximum)	2
Color - Resin	White
Durability (mating cycles max)	15
Flammability	94V-0
Glow-Wire Capable	No
Lock to Mating Part	Yes
Mated Height	3.00mm
Material - Metal	Phosphor Bronze
Material - Plating Mating	Tin
Material - Plating Termination	Tin
Net Weight	174.060/mg
Number of Rows	1
Orientation	Right Angle
PCB Locator	No
PCB Retention	Yes
Packaging Type	Embossed Tape on Reel
Pitch - Mating Interface	3.70mm
Polarized to Mating Part	Yes
Polarized to PCB	Yes
Temperature Range - Operating	-40° to +85°C
Termination Interface: Style	Surface Mount

Electrical

Current - Maximum per Contact	2.0A
Voltage - Maximum	500V

Material Info

Reference - Drawing Numbers

Application Specification	AS-503471-001-061
Packaging Specification	SPK-503471-001-001
Product Specification	5034710000-000, PS-503471-001-001
Sales Drawing	SD-503471-001, SD-503471-002

EU ELV

Not Relevant

EU RoHS

Compliant

REACH SVHC

Not Contained Per - ED/71/2019 (16 July 2019)

Halogen-Free

Status

Not Low-Halogen

For more information, please visit [Contact US](#)

China ROHS

ELV

RoHS Phthalates

China RoHS

Green Image

Not Relevant

Not Contained

Search Parts in this Series

[503471](#) Series

Mates With

[503469](#) PCB Header for B-to-B . [503473](#) Housing and [503485](#) Crimp Terminal for W-to-B

This document was generated on 09/16/2019

PLEASE CHECK WWW.MOLEX.COM FOR LATEST PART INFORMATION

X-ON Electronics

Largest Supplier of Electrical and Electronic Components

Click to view similar products for [Lighting Connectors](#) category:

Click to view products by [Molex](#) manufacturer:

Other Similar products are found below :

[293300-7](#) [293660-5](#) [CNX_H03_NTP](#) [30-9767-BU](#) [3605](#) [3-21030-1](#) [ZCH-110-RGB-I](#) [503471-0290](#) [ZCH-110-RGB-J](#) [217-0716-200](#)
[1954563-1](#) [1-293657-2](#) [2834036-1](#) [2834037-1](#) [1-2213222-4](#) [2-2213222-4](#) [2213222-4](#) [2834122-3](#) [2834122-5](#) [2834135-2](#) [FLA-R4142-30](#)
[FLA-R4162-30](#) [FLA-R2142-30](#) [FLA-R2162-30](#) [FLA-R2161-30](#) [FLA-R0161-30](#) [FLA-R0141-30](#) [FLA-R0142-30](#) [FLA-R0162-30](#) [FLA-C00-](#)
[00](#) [DGA00010553](#) [CNXV04NTP](#) [104128-0610](#) [503485-0000 \(Cut Strip\)](#) [503485-0000 \(Loose Piece\)](#) [503485-0000 \(MINI Reel\)](#) [1-2834074-2](#)
[1-2834074-3](#) [1357-AC PLUG W2C \(CHINA\)](#) [1357-AC PLUG W2 \(USA\)](#) [104266-0110](#) [2106212-1](#) [2-2834074-2](#) [104266-0210](#) [293470-1](#)
[293651-2](#) [293651-4](#) [1-2834006-2](#) [293651-1](#) [2213142-3](#)