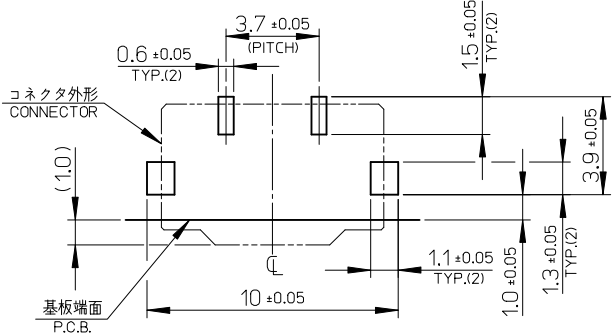
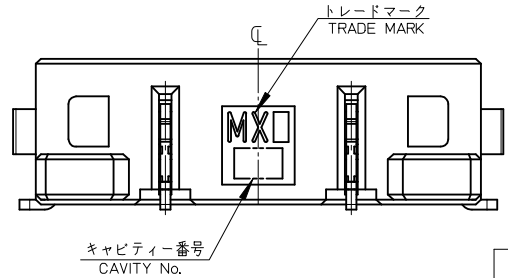
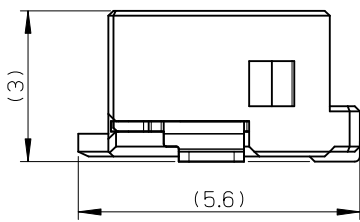
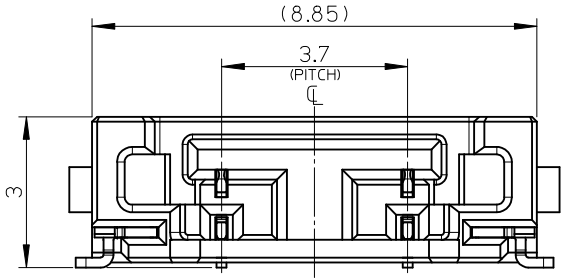
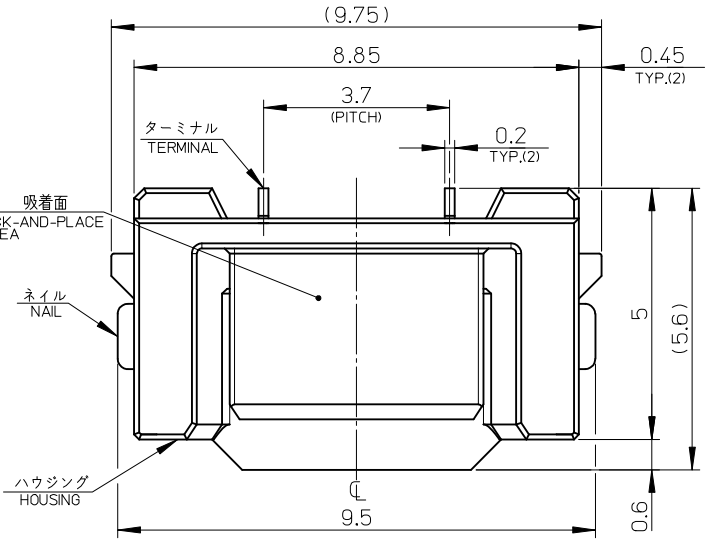
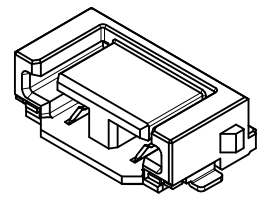


注記:
NOTES:

1. 材質
MATERIAL
ハウジング : 液晶ポリマー (LCP)、ガラス充填、UL94V-0、白色
HOUSING : LIQUID CRYSTAL POLYMER (LCP), GLASS FILLED, UL94V-0, WHITE
ターミナル : りん青銅
錫めっき : 1.0μm以上
下地 : ニッケルめっき 1.0μm以上
TERMINAL : PHOSPHOR BRONZE
TIN PLATING : 1.0 MICROMETER MINIMUM
UNDERPLATE : NICKEL 1.0 MICROMETER MINIMUM
ネイル : りん青銅
錫めっき : 1.0μm以上
下地 : ニッケルめっき 1.0μm以上
NAIL : PHOSPHOR BRONZE
TIN PLATING : 1.0 MICROMETER MINIMUM
UNDERPLATE : NICKEL 1.0 MICROMETER MINIMUM
2. 嵌合相手 : 503469-****又は503473-****
MATE WITH : 503469-**** OR 503473-****
3. 端子テール部及びネイルの平坦度は0.1以下
TAIL AND NAIL COPLANARITY TO BE 0.1 MAXIMUM.
4. 端子テール部及びネイルに錫めっきを使用しているため、外観に摺動痕が付く場合が御座います。
THE WOUND OF FRICTION MIGHT ADHERE TO EXTERNALS
BECAUSE THE TIN PLATING IS USED FOR THE TAIL AND NAIL.
5. 本製品のプラスチック部に黒点等が確認される場合や色合いが異なる場合がありますが、製品性能に影響はありません。
THERE IS NO INFLUENCE IN THE PRODUCT PERFORMANCE THOUGH THE BLACK SPOT ETC. MIGHT BE CONFIRMED TO THE PLASTIC PART OF THIS PRODUCT AND THE SHADE MIGHT BE DIFFERENT.
6. エンボス極包品の詳細はSD-503471-004を参照願います。
REFER TO THE SD-503471-004 FOR EMBOSSED TAPE PACKAGING.
7. ELV及びRoHS適合品
ELV AND RoHS COMPLIANT.

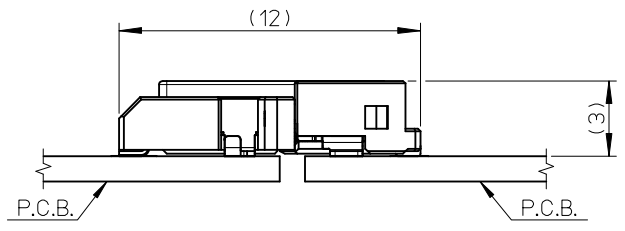
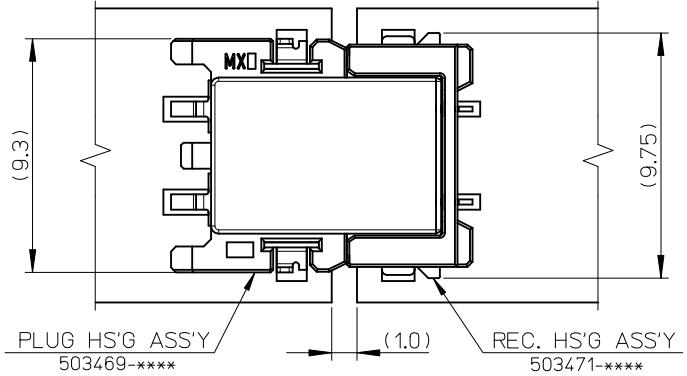


基板パターンレイアウト (参考)
P.C.B. PATTERN LAYOUT (REFERENCE)
(SCALE : 5-1)

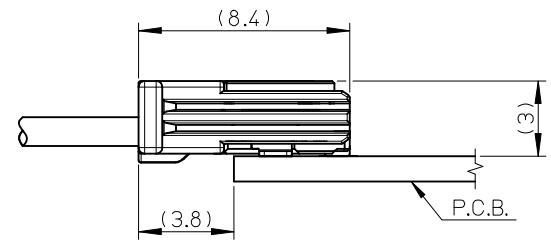
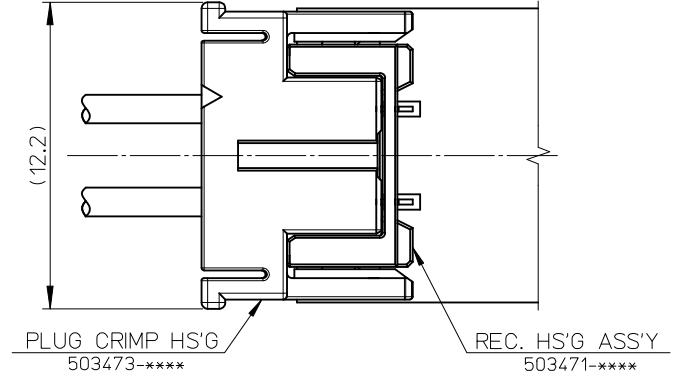
503471-0290	2
EMBOSSD TAPE PACKAGE	CIRCUIT 極数
オーダー番号 ORDER No.	
コネクタシリーズ番号 CONNECTOR SERIES No.	503471-**09

RELEASED EC NO: J2013-1020 DRWN:THANYU CHKD:KASAKAWA APPR:YO ITO	2013/03/18	2013/03/19	2013/03/22	DESCRIPTION	GENERAL TOLERANCES (UNLESS SPECIFIED)	DIMENSION STYLE MM ONLY	SCALE 10:1	DESIGN UNITS METRIC	THIRD ANGLE PROJECTION	
	10 UNDER	± 0.2	DRAWN BY THANYU		DATE 2013/03/18	TITLE	3.7 MULTIPLE CONN. REC. HS'G ASS'Y LOW-HALOGEN molex			
	10 OVER 30 UNDER	± 0.25	CHECKED BY KASAKAWA		DATE 2013/03/19					
	30 OVER	± 0.3	APPROVED BY YO ITO		DATE 2013/03/22					
0	REV	ANGULAR ±1 °	DRAFT WHERE APPLICABLE MUST REMAIN WITHIN DIMENSIONS	MATERIAL NO. SEE CHART	DOCUMENT NO. SD-503471-003	SHEET NO. 1 OF 2	THIS DRAWING CONTAINS INFORMATION THAT IS PROPRIETARY TO MOLEX INCORPORATED AND SHOULD NOT BE USED WITHOUT WRITTEN PERMISSION			

<嵌合状態図 (参考)> 503471-****/503469-****
 <MATED CONNECTOR (REFERENCE)>
 (503471-****/503469-****)



<嵌合状態図 (参考)> 503471-****/503473-****
 <MATED CONNECTOR (REFERENCE)>
 (503471-****/503473-****)



RELEASED EC NO: J2013-1020 DRWN: THANYU 2013/03/18 CHKD: KASAKAWA 2013/03/19 APPR: YOITO 2013/03/22	DESCRIPTION REV: 0	GENERAL TOLERANCES (UNLESS SPECIFIED)		DIMENSION STYLE MM ONLY		SCALE 5:1	DESIGN UNITS METRIC	THIRD ANGLE PROJECTION	
		10 UNDER	± 0.2	DRAWN BY THANYU	DATE 2013/03/18	TITLE 3.7 MULTIPLE CONN. REC. HS'G ASS'Y LOW-HALOGEN			
		10 OVER 30 UNDER	± 0.25	CHECKED BY KASAKAWA	DATE 2013/03/19				
		30 OVER	± 0.3	APPROVED BY YOITO	DATE 2013/03/22	MATERIAL NO. SEE CHART		DOCUMENT NO. SD-503471-003	SHEET NO. 2 OF 2
ANGULAR ±1 °		DRAFT WHERE APPLICABLE MUST REMAIN WITHIN DIMENSIONS		SIZE A3		THIS DRAWING CONTAINS INFORMATION THAT IS PROPRIETARY TO MOLEX INCORPORATED AND SHOULD NOT BE USED WITHOUT WRITTEN PERMISSION			

X-ON Electronics

Largest Supplier of Electrical and Electronic Components

Click to view similar products for [Lighting Connectors](#) category:

Click to view products by [Molex](#) manufacturer:

Other Similar products are found below :

[293300-7](#) [293660-5](#) [CNX_H03_NTP](#) [30-9767-BU](#) [3605](#) [3-21030-1](#) [ZCH-110-RGB-I](#) [503471-0290](#) [ZCH-110-RGB-J](#) [217-0716-200](#)
[1954563-1](#) [1-293657-2](#) [2834036-1](#) [2834037-1](#) [1-2213222-4](#) [2-2213222-4](#) [2213222-4](#) [2834122-3](#) [2834122-5](#) [2834135-2](#) [FLA-R4142-30](#)
[FLA-R4162-30](#) [FLA-R2142-30](#) [FLA-R2162-30](#) [FLA-R2161-30](#) [FLA-R0161-30](#) [FLA-R0141-30](#) [FLA-R0142-30](#) [FLA-R0162-30](#) [FLA-C00-](#)
[00](#) [DGA00010553](#) [CNXV04NTP](#) [104128-0610](#) [503485-0000 \(Cut Strip\)](#) [503485-0000 \(Loose Piece\)](#) [503485-0000 \(MINI Reel\)](#) [1-2834074-2](#)
[1-2834074-3](#) [1357-AC PLUG W2C \(CHINA\)](#) [1357-AC PLUG W2 \(USA\)](#) [104266-0110](#) [CNXV02NTP](#) [2106212-1](#) [2-2834074-2](#) [104266-](#)
[0210](#) [293470-1](#) [293651-2](#) [293651-4](#) [1-2834006-2](#) [293651-1](#)