

LEGEND:

5569 - N A * * - * - *

BASE NUMBER

CIRCUIT SIZE

ASSEMBLY

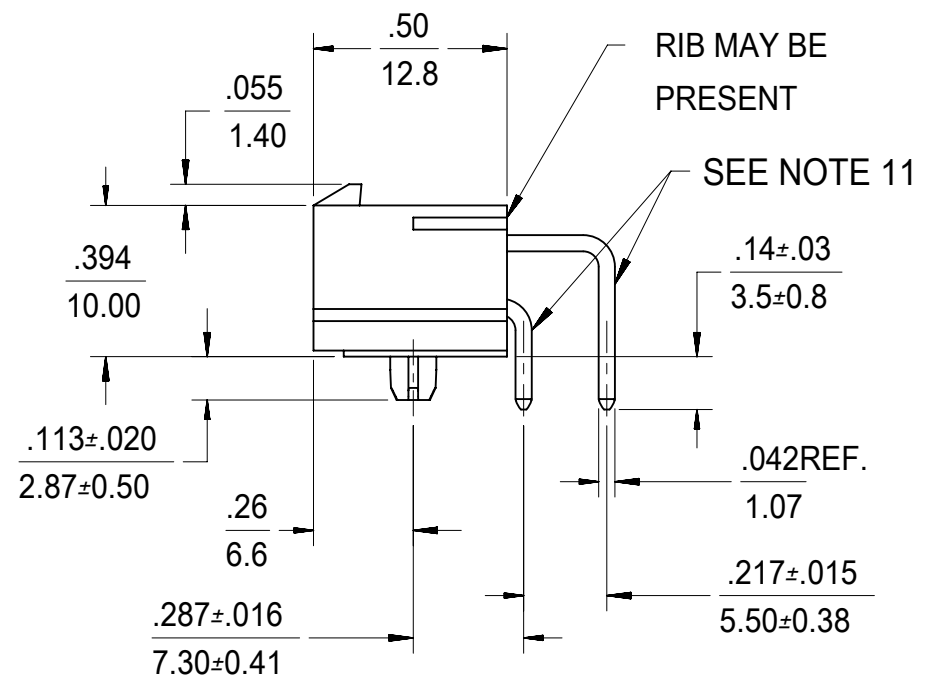
MOUNTING OPTION
(SEE NOTE 6.)

PLATING
(SEE NOTE 2.)

HOUSING MAT'L.
(SEE NOTE 1.)

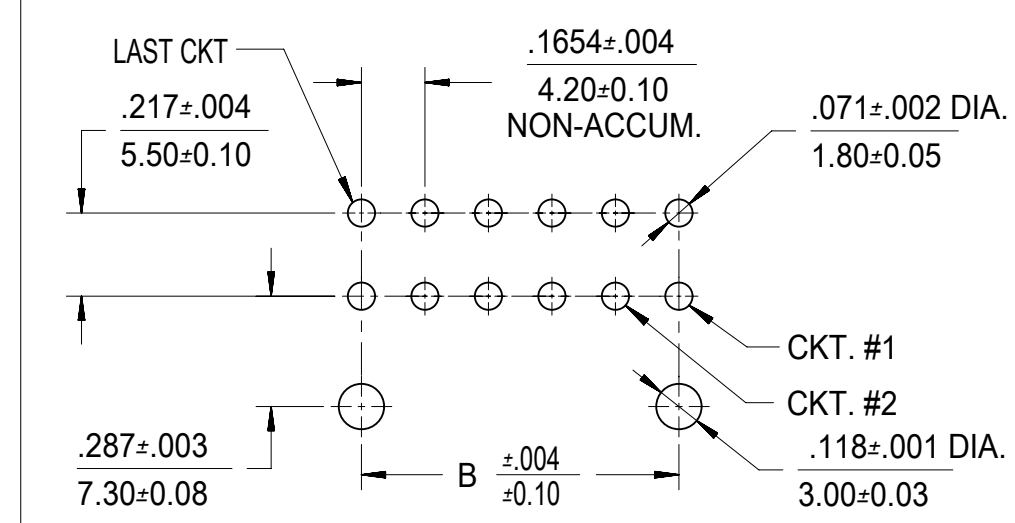
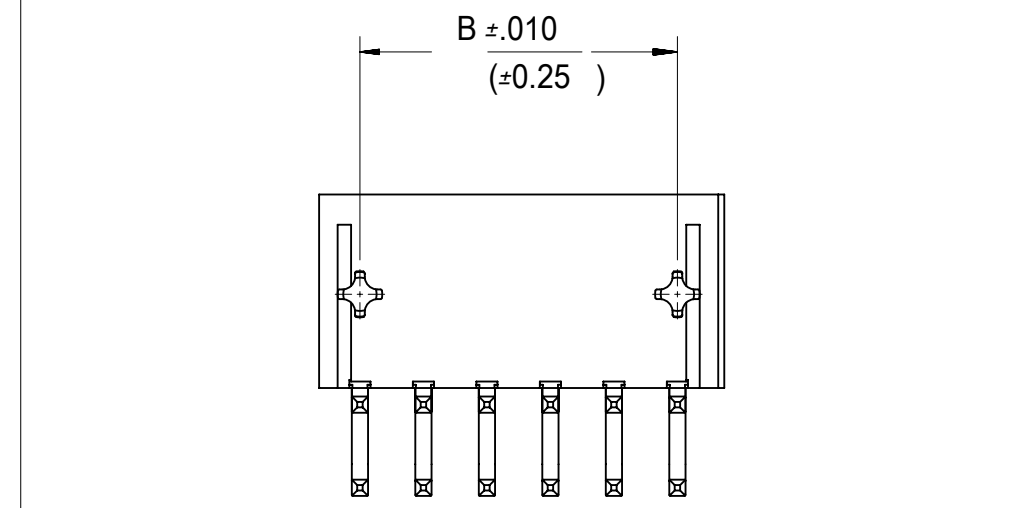
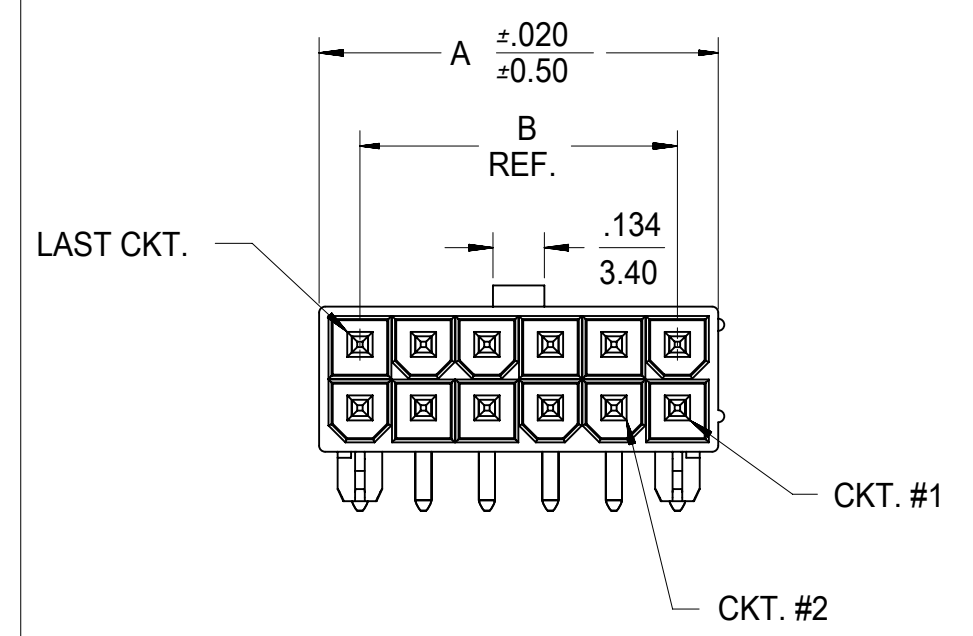
PACKAGING
(SEE NOTE 4.)

CIRCUIT SIZE	DIM. "A"	DIM. "B"
6	.54 (13.8)	.33 (8.4)
8	.71 (18.0)	.50 (12.6)
10	.87 (22.2)	.66 (16.8)
12	1.04 (26.4)	.83 (21.0)
14	1.20 (30.6)	.99 (25.2)
16	1.37 (34.8)	1.16 (29.4)
18	1.54 (39.0)	1.32 (33.6)
20	1.70 (43.2)	1.49 (37.8)
22	1.87 (47.4)	1.65 (42.0)
24	2.03 (51.6)	1.82 (46.2)

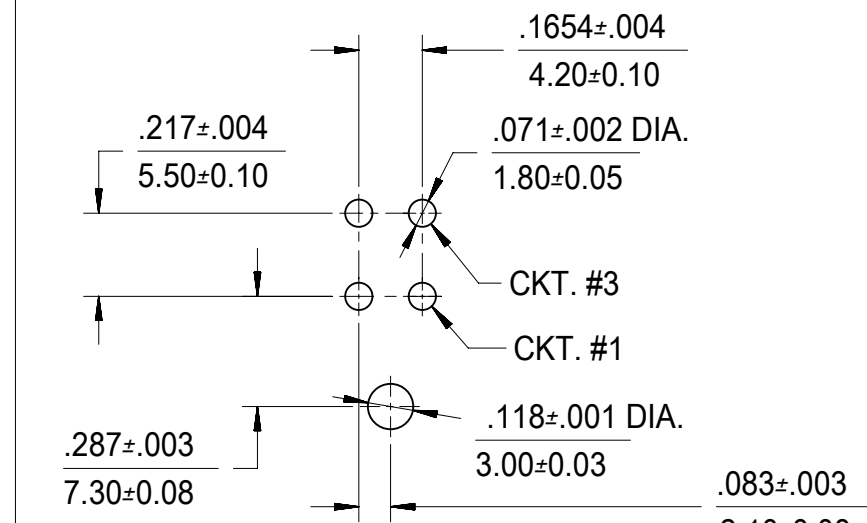
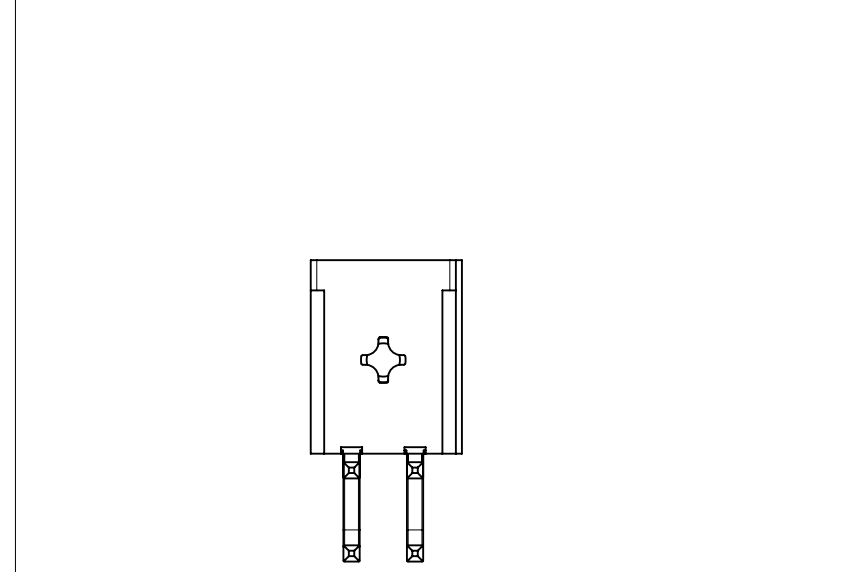
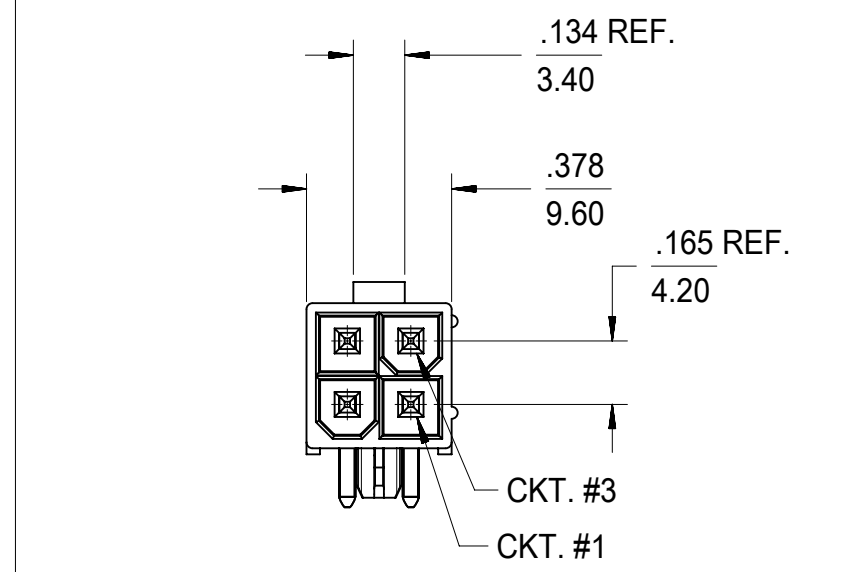


THIS VIEW APPLIES TO ALL CIRCUIT SIZES

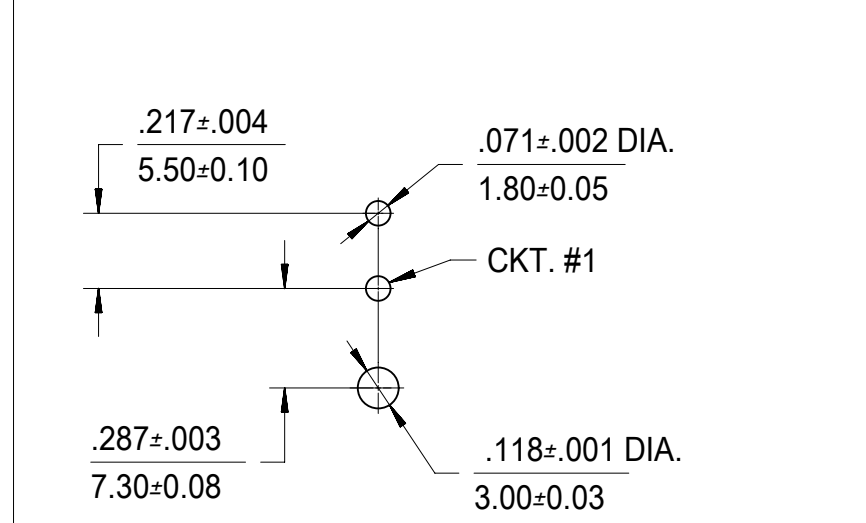
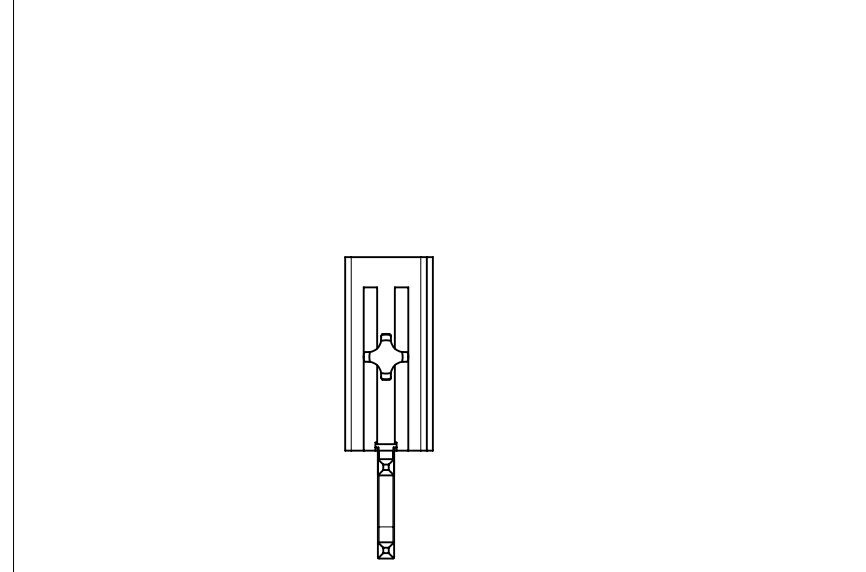
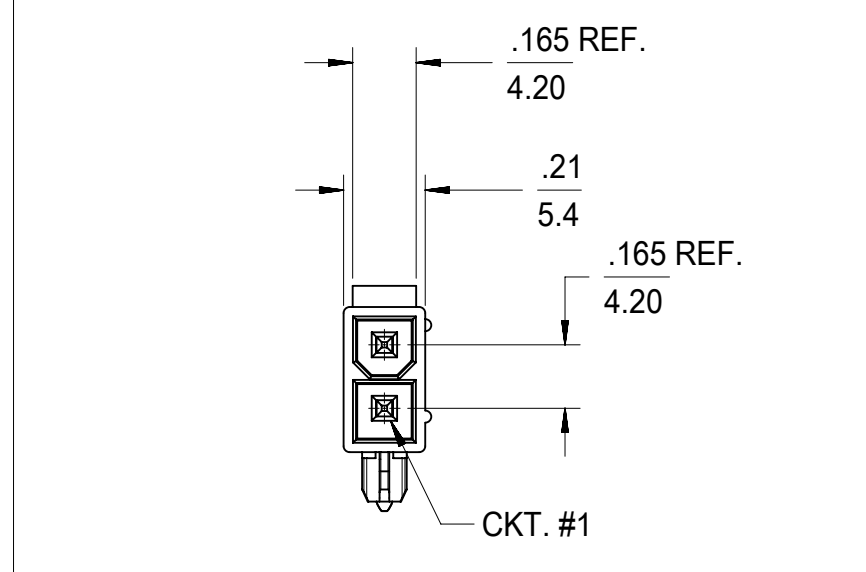
- NOTES:**
- MATERIAL:**
HOUSING:
"130" = GLASS FILLED LCP, UL94V-0, IEC 60335-1
5TH EDITION GLOW WIRE CAPABLE
COLOR - BLACK
TERMINAL:
BRASS ALLOY
 - FINISH (PLATING):**
"MS" = .000100/(0.00254) MIN. MATTE TIN OVER
.000050/(0.00127) MIN. NICKEL
"GS" = .000030/(0.00076) MIN. SELECT GOLD OVER
.000100/(0.00254) MIN. SELECT MATTE TIN
OVER .000050/(0.00127) MIN. NICKEL OVERALL
 - PRODUCT SPECIFICATION:** SEE CHARTS
 - PACKAGING:**
"T" = TRAY PACKED PER PK-5569-003
 - PART MATES WITH MINI-FIT JR. RECEPTACLE SERIES 5557 AND 46992.**
 - MOUNTING OPTIONS:**
7 = PRESS FIT PEG
 - DISCOLORATION IN THE BANDOLIER CARRIER AREA OF THE PIN IS INHERENT TO THE PLATING PROCESS AND IS DUE TO THE MASKING EFFECT OF THE CARRIER. THIS DISCOLORATION IS IN A NON-FUNCTIONAL AREA OF THE PIN AND WILL NOT AFFECT THE PERFORMANCE OF THE HEADER ASSEMBLY.**
 - PART CONFORMS TO CLASS "B" REQUIREMENTS OF COSMETIC SPECIFICATION PS-45499-002.**
 - CONNECTORS ARE NOT TO BE MATED AND UNMATED WHILE CIRCUITS ARE LIVE.**
 - PARTS ARE NOT DESIGNED FOR CURRENT SHARING.**
 - FORMING MARKS ON PINS ARE ACCEPTABLE.**
 - CORNER CORE-OUTS ARE OPTIONAL AND MAY OR MAY NOT BE PRESENT.**
 - TEXT ON PART IS FOR REFERENCE ONLY. TEXT AND TEXT LOCATION MAY VARY DEPENDING ON PART NUMBER AND/OR TOOL.**



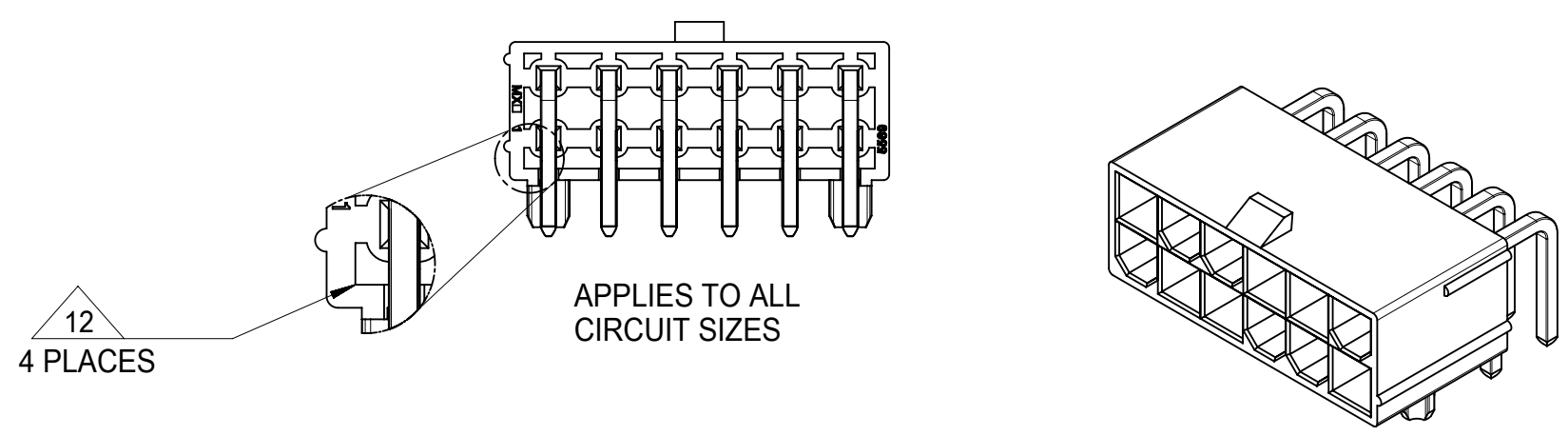
RECOMMENDED HOLE LAYOUT FOR .070/(1.78) MAX. THICK P.C. BOARD VIEWED FROM COMPONENT SIDE FOR 6 THRU 24 CIRCUITS



RECOMMENDED HOLE LAYOUT FOR .070/(1.78) MAX. THICK P.C. BOARD VIEWED FROM COMPONENT SIDE FOR 4CKT PARTS



RECOMMENDED HOLE LAYOUT FOR .070/(1.78) MAX. THICK P.C. BOARD VIEWED FROM COMPONENT SIDE FOR 2CKT PARTS



SYMBOLS		THIS DRAWING CONTAINS INFORMATION THAT IS PROPRIETARY TO MOLEX ELECTRONIC TECHNOLOGIES, LLC AND SHOULD NOT BE USED WITHOUT WRITTEN PERMISSION		CURRENT REV DESC: CORRECT CHART	
∇ = 0	IN/MM	SCALE	2:1		
∇ = 0	GENERAL TOLERANCES (UNLESS SPECIFIED)		EC NO: 170964		
∇ = 0	4 PLACES ±	MM	INCH	DRWN: AZAHIROVIC	2018/01/25
∇ = 0	3 PLACES ±	± 0.38	± 0.015	CHK'D: JBELL	2018/01/25
∇ = 0	2 PLACES ±	± 0.38	±	APPR: FSMITH	2018/01/25
∇ = 0	1 PLACE ±	± 0.38	±	INITIAL REVISION:	
∇ = 0	0 PLACES ±	±	±	DRWN: JJAGUILAR	2009/07/27
∇ = 0	ANGULAR TOL ± 0.5°	APPR: FSMITH 2009/07/31			
∇ = 0	DRAFT WHERE APPLICABLE MUST REMAIN WITHIN DIMENSIONS	THIRD ANGLE PROJECTION	DRAWING	SERIES	MATERIAL NUMBER
∇ = 0			C-SIZE	5569	SEE CHART
DOCUMENT STATUS		P1	RELEASE DATE	2018/01/25	23:48:05
THIS DRAWING REPLACES DRAWING SD-5569-NA2*-130		PRODUCT CUSTOMER DRAWING		DOCUMENT NUMBER	DOC TYPE DOC PART REVISION
		55690007-SD		PSD	000 A
		GENERAL MARKET		SHEET NUMBER	
		1 OF 2			

TOOLED	PART NO.	ENG. NO.	CKT. SIZE	MOUNTING OPTION	PLATING (SEE NOTE 2)	HOUSING MATERIAL (SEE NOTE 1)	PACKAGING	PRODUCT SPECIFICATION
YES	50-36-2457	5569-02A7MS-130-T	2	PRESS FIT PEGS	MATTE TIN/NICKEL	94V-0	TRAY PACKAGED PER PK-5569-003	PS-5556-004
	50-36-2459	5569-04A7MS-130-T	4	PRESS FIT PEGS	MATTE TIN/NICKEL	94V-0		
	50-36-2462	5569-06A7MS-130-T	6	PRESS FIT PEGS	MATTE TIN/NICKEL	94V-0		
	50-36-2464	5569-08A7MS-130-T	8	PRESS FIT PEGS	MATTE TIN/NICKEL	94V-0		
	50-36-2466	5569-10A7MS-130-T	10	PRESS FIT PEGS	MATTE TIN/NICKEL	94V-0		
	50-36-2296	5569-12A7MS-130-T	12	PRESS FIT PEGS	MATTE TIN/NICKEL	94V-0		
	50-36-2428	5569-14A7MS-130-T	14	PRESS FIT PEGS	MATTE TIN/NICKEL	94V-0		
	50-36-2426	5569-16A7MS-130-T	16	PRESS FIT PEGS	MATTE TIN/NICKEL	94V-0		
NO	50-36-2468	5569-18A7MS-130-T	18	PRESS FIT PEGS	MATTE TIN/NICKEL	94V-0		
	50-36-2471	5569-20A7MS-130-T	20	PRESS FIT PEGS	MATTE TIN/NICKEL	94V-0		
	50-36-2473	5569-22A7MS-130-T	22	PRESS FIT PEGS	MATTE TIN/NICKEL	94V-0		
	50-36-2475	5569-24A7MS-130-T	24	PRESS FIT PEGS	MATTE TIN/NICKEL	94V-0		
	46999-0720	5569-02A7GS-130-T	2	PRESS FIT PEGS	SELECT GOLD/NICKEL	94V-0		
	46999-0721	5569-04A7GS-130-T	4	PRESS FIT PEGS	SELECT GOLD/NICKEL	94V-0		
	46999-0722	5569-06A7GS-130-T	6	PRESS FIT PEGS	SELECT GOLD/NICKEL	94V-0		
	46999-0723	5569-08A7GS-130-T	8	PRESS FIT PEGS	SELECT GOLD/NICKEL	94V-0		
46999-0724	5569-10A7GS-130-T	10	PRESS FIT PEGS	SELECT GOLD/NICKEL	94V-0			
46999-0725	5569-12A7GS-130-T	12	PRESS FIT PEGS	SELECT GOLD/NICKEL	94V-0			
46999-0726	5569-14A7GS-130-T	14	PRESS FIT PEGS	SELECT GOLD/NICKEL	94V-0			
46999-0727	5569-16A7GS-130-T	16	PRESS FIT PEGS	SELECT GOLD/NICKEL	94V-0			
46999-0728	5569-18A7GS-130-T	18	PRESS FIT PEGS	SELECT GOLD/NICKEL	94V-0			
46999-0729	5569-20A7GS-130-T	20	PRESS FIT PEGS	SELECT GOLD/NICKEL	94V-0			
46999-0730	5569-22A7GS-130-T	22	PRESS FIT PEGS	SELECT GOLD/NICKEL	94V-0			
46999-0731	5569-24A7GS-130-T	24	PRESS FIT PEGS	SELECT GOLD/NICKEL	94V-0			

SYMBOLS = 0 = 0 = 0 = 0 = 0 = 0 = 0 = 0	THIS DRAWING CONTAINS INFORMATION THAT IS PROPRIETARY TO MOLEX ELECTRONIC TECHNOLOGIES, LLC AND SHOULD NOT BE USED WITHOUT WRITTEN PERMISSION			
	DIMENSION UNITS		SCALE	
	IN/MM		1:1	
	CURRENT REV DESC: CORRECT CHART			
	GENERAL TOLERANCES (UNLESS SPECIFIED)			
	4 PLACES ±		±	
	3 PLACES ±		± 0.015	
	2 PLACES ±		± 0.38	
	1 PLACE ±		± 0.38	
	0 PLACES ±		±	
ANGULAR TOL ±		± 0.5 °		
DRAFT WHERE APPLICABLE MUST REMAIN WITHIN DIMENSIONS		THIRD ANGLE PROJECTION	DRAWING	SERIES
			C-SIZE	5569
EC NO: 170964		2018/01/25		
DRWN: AZAHIROVIC		2018/01/25		
CHK'D: JBELL		2018/01/25		
APPR: FSMITH		2018/01/25		
INITIAL REVISION:		2009/07/27		
DRWN: JJAGUILAR		2009/07/31		
APPR: FSMITH		2009/07/31		
DOCUMENT NUMBER		DOC TYPE	DOC PART	REVISION
55690007-SD		PSD	000	A
MATERIAL NUMBER		CUSTOMER		SHEET NUMBER
SEE CHART		GENERAL MARKET		2 OF 2

X-ON Electronics

Largest Supplier of Electrical and Electronic Components

Click to view similar products for [Headers & Wire Housings](#) category:

Click to view products by [Molex](#) manufacturer:

Other Similar products are found below :

[892-18-020-10-001101](#) [58102-G61-06LF](#) [582553-1](#) [0009485154](#) [009176003701906](#) [0050291907](#) [LY20-4P-DT1-P1E-BR](#) [02.125.8002.8](#)
[609-3404](#) [61062-3](#) [622-0430](#) [622-3653LF](#) [63453-116](#) [636-1030](#) [636-1427](#) [636-3427](#) [636-4007](#) [641938-9](#) [641991-4](#) [644827-2](#) [65817-010LF](#)
[65817-015LF](#) [65863-015LF](#) [66207-023LF](#) [67095-007LF](#) [67601157](#) [68648-049](#) [70.362.1628.0](#) [70-4210](#) [70-4226B](#) [70-4853B](#) [707-5020](#) [707-5028](#) [71.350.2428.0](#) [71918-208LF](#) [71961-016LF](#) [733-134](#) [733-162](#) [754199-000](#) [760-3052](#) [787-8014-00](#) [79531-3000](#) [FCN-360C032-B](#) [FCN-367T-T012/H](#) [FCN-723D010/2](#) [80.063.4001.1](#) [800-90-001-10-001000](#) [800-90-010-10-002000](#) [801-43-002-10-013000](#) [801-43-006-10-002000](#)