

PLEASE CHECK WWW.MOLEX.COM FOR LATEST PART INFORMATION

Part Number: [0050362281](#)

Status: **Active**

Overview: [Standard .062"+ and Standard .062" Pin and Socket Connector Systems](#)

Description: 1.57mm Diameter Standard .062" Pin and Socket Receptacle Housing, 9 Circuits, with Pre-bent Mounting Ears, Black, Glow-Wire Capable

Documents:

[3D Model](#)

[Drawing \(PDF\)](#)

[3D Model \(PDF\)](#)

[Product Specification PS-02-06-001 \(PDF\)](#)

[Packaging Specification PK-1625-003-001 \(PDF\)](#)

[RoHS Certificate of Compliance \(PDF\)](#)

Agency Certification

CSA LR19980
UL E29179

General

Product Family
Series
Application
Comments

Crimp Housings

[1625](#)

Power, Wire-to-Wire

This Molex product is manufactured from material that has the following ratings, tested by independent agencies :. a) A Glow Wire Ignition Temperature (GWIT) of at least 775 deg C per IEC 60695-2-13.. b) A Glow Wire Flammability Index (GWFI) above 850 deg C per IEC 60695-2-12.and hence complies with the requirements set out in the International Standard IEC 60335-1 5th edition - household and similar electrical appliances - safety; section 30 Resistance to heat and fire.<P><P>The customers using this product must determine its suitability for use in their particular application through testing or other acceptable means as described in end-product glow-wire flammability test standard IEC 60695-2-11 and any applicable product end-use standard(s).<P>If it is determined during the customer's evaluation of suitability, that higher performance is required, please contact Molex for possible product options.

Overview

[Standard .062"+ and Standard .062" Pin and Socket Connector Systems](#)

Product Name

Standard .062"

UPC

883906186708

Physical

Circuits (maximum)

9

Circuits Detail

3x3

Color - Resin

Black

Flammability

94V-0

Gender

Receptacle

Glow-Wire Capable

Yes

Keying to Mating Part

None

Lock to Mating Part

Yes

Material - Resin

Nylon

Net Weight

2.520/g

Number of Rows

3

Packaging Type

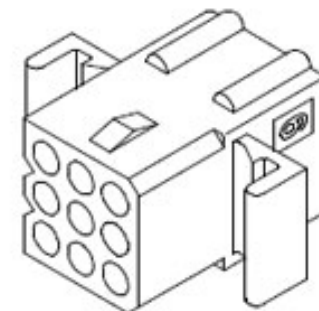
Bag

Panel Mount

Yes

Pitch - Mating Interface

3.68mm



Series image - Reference only

EU ELV

Not Relevant

EU RoHS

Compliant

REACH SVHC

Not Contained Per -
D(2021)4569-DC (8
July 2021)

Halogen-Free

Status

Not Low-Halogen

For more information, please visit [Contact US](#)

China ROHS

ELV

RoHS Phthalates

China RoHS

Green Image

Not Relevant

Not Contained

Search Parts in this Series

[1625 Series](#)

Mates With

[50362279](#)

Use With

Female Crimp Terminals [1561](#) , [4559](#) , [4529](#) , [2190](#) , [2189](#) , [1787](#) , [1855](#) . Male Crimp Terminals [1560](#) , [1786](#) , [1854](#). [1778](#) Male PC Tail Terminals. [1779](#) Female PC Tail Terminals

Pitch - Termination Interface	3.68mm
Polarized to Mating Part	Yes
Stackable	No
Temperature Range - Operating	-40° to +105°C

Electrical

Current - Maximum per Contact	5.0A
-------------------------------	------

Material Info

Engineering Number	1625-9R4-1
--------------------	------------

Reference - Drawing Numbers

Packaging Specification	PK-1625-003-001
Product Specification	PS-02-06-001
Sales Drawing	16250901-SD-000

This document was generated on 08/27/2021

PLEASE CHECK WWW.MOLEX.COM FOR LATEST PART INFORMATION

X-ON Electronics

Largest Supplier of Electrical and Electronic Components

Click to view similar products for [Pin & Socket Connectors](#) category:

Click to view products by [Molex](#) manufacturer:

Other Similar products are found below :

[6450822-1](#) [770392-1](#) [794042-1](#) [796885-1](#) [8-794535-1](#) [PLR3455ACS-222](#) [R929991004](#) [R929993003](#) [1403611-1](#) [1-480349-5](#) [152302-5](#)
[153211-2](#) [1586092-1](#) [1586129-1](#) [1586681-4](#) [1586700-1](#) [1586368-1](#) [1586380-1](#) [1586616-1](#) [1586680-5](#) [16-06-0038](#) [164164-5](#) [1-6609930-1](#)
[172296-1](#) [19-09-2035](#) [200503-1](#) [200788-2](#) [2029090-4](#) [2029095-4](#) [925061-7](#) [293734-4](#) [293737-2](#) [1-765362-4](#) [1871534-1](#) [200833-4](#)
[2008625-2](#) [2029027-2](#) [2029096-4](#) [R929991000](#) [R929991002](#) [R929993000](#) [319-10-101-00-005000](#) [319-10-102-00-001000](#) [319-10-104-00-001000](#) [319-10-105-00-001000](#) [319-10-108-00-001000](#) [319-10-112-00-006000](#) [39-01-8019](#) [319-10-101-00-001000](#) [319-10-102-00-005000](#)