

PLEASE CHECK WWW.MOLEX.COM FOR LATEST PART INFORMATION

Part Number: [5036571000](#)
Status: **Active**
Overview: [Micro-Lock™ Connectors](#)
Description: Micro-Lock 2.00mm Wire-to-Board Crimp Terminal, 22 - 26 AWG, Reel

Documents:

Drawing (PDF)	Application Specification AS-503658-001-001 (PDF)
Product Specification PS-503658-001-001 (PDF)	Packaging Specification SPK-503657-001-001 (PDF)
Product Specification PS-504054-001-001 (PDF)	RoHS Certificate of Compliance (PDF)

General

Product Family	Crimp Terminals
Series	503657
Application	Power, Signal
Crimp Quality Equipment	Yes
Overview	Micro-Lock™ Connectors
Product Name	Micro-Lock
UPC	884982339552

Physical

Durability (mating cycles max)	30
Gender	Female
Material - Metal	Copper Alloy
Material - Plating Mating	Tin
Net Weight	40.500/mg
Packaging Type	Reel
Wire Insulation Diameter	0.9-1.5
Wire Size AWG	22, 24, 26
Wire Size mm ²	0.126-0.34

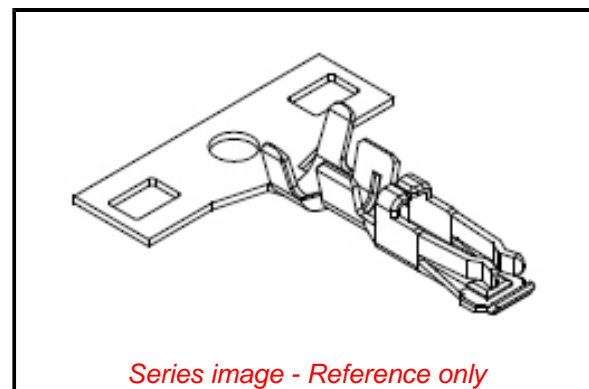
Electrical

Current - Maximum per Contact	3.0A
Voltage - Maximum	250V

Material Info

Reference - Drawing Numbers

Application Specification	AS-503658-001-001
Crimp Specification	CS-503657-001-001
Packaging Specification	SPK-503657-001-001
Product Specification	PS-503658-001-001, PS-504054-001-001
Sales Drawing	SD-503657-001



Series image - Reference only

EU ELV

Not Relevant

EU RoHS

Compliant

REACH SVHC

Not Contained Per -
ED/71/2019 (16 July
2019)

Halogen-Free

Status

Low-Halogen

For more information, please visit [Contact US](#)

China ROHS

ELV

RoHS Phthalates

China RoHS

Green Image

Not Relevant

Not Contained

Search Parts in this Series

[503657](#) Series

Use With

[503658](#) Micro-Lock Wire-to-Board Crimp Housing

Application Tooling | FAQ

Tooling specifications and manuals are found by selecting the products below. Crimp Height Specifications are then contained in the Application Tooling Specification document.

Global

Description	Product #
Extraction and Activation Tool	638132700
Hand Crimp Tool for 2.00mm Pitch Wire-to-Board Crimp Terminal	638239800
FineAdjust Applicator for 2.0 W/B Receptacle Terminals	639022800

T2 Terminator for 639122800
2.0 W/B Receptacle
Terminals

Japan

Description	Product #
S-1 Applicator for Micro-Lock Terminals, 22-26 AWG	<u>5780753700</u>

This document was generated on 09/17/2019

PLEASE CHECK WWW.MOLEX.COM FOR LATEST PART INFORMATION

X-ON Electronics

Largest Supplier of Electrical and Electronic Components

Click to view similar products for [Headers & Wire Housings](#) category:

Click to view products by [Molex](#) manufacturer:

Other Similar products are found below :

[892-18-020-10-001101](#) [58102-G61-06LF](#) [582553-1](#) [0009485154](#) [009176003701906](#) [0050291907](#) [LY20-4P-DT1-P1E-BR](#) [02.125.8002.8](#)
[609-3404](#) [61062-3](#) [622-0430](#) [622-3653LF](#) [63453-116](#) [636-1030](#) [636-1427](#) [636-3427](#) [636-4007](#) [641938-9](#) [641991-4](#) [644827-2](#) [65817-010LF](#)
[65817-015LF](#) [65863-015LF](#) [66207-023LF](#) [67095-007LF](#) [67601157](#) [68648-049](#) [70.362.1628.0](#) [70-4210](#) [70-4226B](#) [70-4853B](#) [707-5020](#) [707-5028](#) [71.350.2428.0](#) [71918-208LF](#) [71961-016LF](#) [733-134](#) [733-162](#) [754199-000](#) [760-3052](#) [787-8014-00](#) [79531-3000](#) [FCN-360C032-B](#) [FCN-367T-T012/H](#) [FCN-723D010/2](#) [80.063.4001.1](#) [800-90-001-10-001000](#) [800-90-010-10-002000](#) [801-43-002-10-013000](#) [801-43-006-10-002000](#)