

PLEASE CHECK WWW.MOLEX.COM FOR LATEST PART INFORMATION

Part Number: **5036600510**
Status: **Active**
Overview: Micro-Lock™ Connectors
Description: Micro-Lock 2.00mm Pitch Single-Row Right-Angle Header, 5 Circuits, White without Boss

Documents:

3D Model	Application Specification AS-503658-001-001 (PDF)
Drawing (PDF)	Packaging Specification 5036609200-200 (PDF)
Product Specification PS-503658-001-001 (PDF)	RoHS Certificate of Compliance (PDF)

General

Product Family	PCB Headers
Series	<u>503660</u>
Application	Wire-to-Board
CURRENT-MAX-NUMERIC	3.0
Overview	<u>Micro-Lock™ Connectors</u>
PITCH-MATING-NUMERIC	2.00
Product Name	Micro-Lock
UPC	884982339866

Physical

Breakaway	No
Circuits (Loaded)	5
Circuits (maximum)	5
Color - Resin	White
Durability (mating cycles max)	30
First Mate / Last Break	No
Glow-Wire Capable	No
Guide to Mating Part	No
Lock to Mating Part	Yes
Material - Metal	Brass
Material - Plating Mating	Tin
Material - Plating Termination	Nickel
Material - Resin	PBT
Net Weight	625.300/mg
Number of Rows	1
Orientation	Right Angle
PC Tail Length	3.00mm
PCB Locator	No
PCB Retention	None
PCB Thickness - Recommended	1.20mm, 1.60mm
Packaging Type	Tray
Pitch - Mating Interface	2.00mm
Surface Mount Compatible (SMC)	No
Termination Interface: Style	Through Hole - Kinked Pin

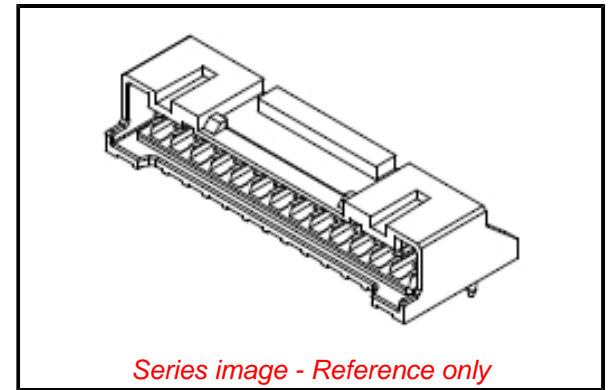
Electrical

Current - Maximum per Contact	3.0A
Voltage - Maximum	250V

Material Info

Reference - Drawing Numbers

Application Specification	AS-503658-001-001
Packaging Specification	5036609200-200
Product Specification	PS-503658-001-001
Sales Drawing	SD-503660-001



EU ELV

Not Relevant

EU RoHS

Compliant

REACH SVHC

Not Contained Per -
ED/71/2019 (16 July
2019)

Halogen-Free

Status

Low-Halogen

For more information, please visit [Contact US](#)

China ROHS

ELV

RoHS Phthalates

China RoHS

Green Image

Not Relevant

Not Contained

Search Parts in this Series

[503660 Series](#)

Mates With

[503658](#) Micro-Lock Wire-to-Board Crimp Housing

This document was generated on 09/12/2019

PLEASE CHECK WWW.MOLEX.COM FOR LATEST PART INFORMATION

X-ON Electronics

Largest Supplier of Electrical and Electronic Components

Click to view similar products for [Headers & Wire Housings](#) category:

Click to view products by [Molex](#) manufacturer:

Other Similar products are found below :

[892-18-020-10-001101](#) [58102-G61-06LF](#) [582553-1](#) [0009485154](#) [009176003701906](#) [0050291907](#) [LY20-4P-DT1-P1E-BR](#) [02.125.8002.8](#)
[609-3404](#) [61062-3](#) [622-0430](#) [622-3653LF](#) [63453-116](#) [636-1030](#) [636-1427](#) [636-3427](#) [636-4007](#) [641938-9](#) [641991-4](#) [644827-2](#) [65817-010LF](#)
[65817-015LF](#) [65863-015LF](#) [66207-023LF](#) [67095-007LF](#) [67601157](#) [68648-049](#) [70.362.1628.0](#) [70-4210](#) [70-4226B](#) [70-4853B](#) [707-5020](#) [707-](#)
[5028](#) [71.350.2428.0](#) [71918-208LF](#) [71961-016LF](#) [733-134](#) [733-162](#) [754199-000](#) [760-3052](#) [787-8014-00](#) [79531-3000](#) [FCN-360C032-B](#) [FCN-](#)
[367T-T012/H](#) [FCN-723D010/2](#) [80.063.4001.1](#) [800-90-001-10-001000](#) [800-90-010-10-002000](#) [801-43-002-10-013000](#) [801-43-006-10-002000](#)