

PLEASE CHECK WWW.MOLEX.COM FOR LATEST PART INFORMATION

Part Number: **5036600610**
Status: **Active**
Overview: Micro-Lock™ Connectors
Description: Micro-Lock 2.00mm Pitch Single-Row Right-Angle Header, 6 Circuits, White without Boss

Documents:

3D Model	Application Specification AS-503658-001-001 (PDF)
Drawing (PDF)	Packaging Specification 5036609200-200 (PDF)
Product Specification PS-503658-001-001 (PDF)	RoHS Certificate of Compliance (PDF)

General

Product Family	PCB Headers
Series	<u>503660</u>
Application	Wire-to-Board
CURRENT-MAX-NUMERIC	3.0
Overview	<u>Micro-Lock™ Connectors</u>
PITCH-MATING-NUMERIC	2.00
Product Name	Micro-Lock
UPC	884982339873

Physical

Breakaway	No
Circuits (Loaded)	6
Circuits (maximum)	6
Color - Resin	White
Durability (mating cycles max)	30
First Mate / Last Break	No
Glow-Wire Capable	No
Guide to Mating Part	No
Lock to Mating Part	Yes
Material - Metal	Brass
Material - Plating Mating	Tin
Material - Plating Termination	Nickel
Material - Resin	PBT
Net Weight	722.300/mg
Number of Rows	1
Orientation	Right Angle
PC Tail Length	3.00mm
PCB Locator	No
PCB Retention	None
PCB Thickness - Recommended	1.20mm, 1.60mm
Packaging Type	Tray
Pitch - Mating Interface	2.00mm
Surface Mount Compatible (SMC)	No
Termination Interface: Style	Through Hole - Kinked Pin

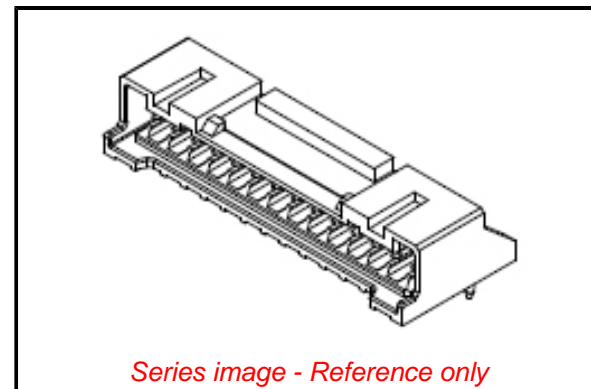
Electrical

Current - Maximum per Contact	3.0A
Voltage - Maximum	250V

Material Info

Reference - Drawing Numbers

Application Specification	AS-503658-001-001
Packaging Specification	5036609200-200
Product Specification	PS-503658-001-001
Sales Drawing	SD-503660-001



EU ELV

Not Relevant

EU RoHS

Compliant

REACH SVHC

Not Contained Per -
ED/71/2019 (16 July
2019)

Halogen-Free

Status

Low-Halogen

For more information, please visit [Contact US](#)

China ROHS

ELV

RoHS Phthalates

China RoHS

Green Image

Not Relevant

Not Contained

Search Parts in this Series

[503660 Series](#)

Mates With

[503658](#) Micro-Lock Wire-to-Board Crimp Housing

This document was generated on 09/13/2019

PLEASE CHECK WWW.MOLEX.COM FOR LATEST PART INFORMATION

X-ON Electronics

Largest Supplier of Electrical and Electronic Components

Click to view similar products for [Headers & Wire Housings](#) category:

Click to view products by [Molex](#) manufacturer:

Other Similar products are found below :

[95000-104TRLF](#) [10135584-644402LF](#) [DF62W-EP2022PCA](#) [95000-106TRLF](#) [DF62W-2022SCA](#) [DF62W-EP2022PC](#) [2203348](#) [DF62W-2022SC](#) [1084018](#) [1029039](#) [1084017](#) [802-10-012-10-002000](#) [1112640](#) [1112639](#) [891-007-9SS-BST1T](#) [000-34000](#) [0008550134](#) [0009482033](#) [0009507031](#) [57102-F02-18ULF](#) [57102-S06-03LF](#) [57202-S52-04LF](#) [PCN6-15S-2.5E](#) [0039019024](#) [58102-G61-06LF](#) [582553-1](#) [0009485154](#) [0009508121](#) [0022285053](#) [0050291907](#) [018731A](#) [LY20-4P-DT1-P1E-BR](#) [02.125.8002.8](#) [60101931](#) [60598-1 \(Cut Strip\)](#) [M1625-3R/100](#) [61062-3](#) [61082-181009](#) [CSU011177004](#) [636-1427](#) [638009-1](#) [641938-9](#) [641991-4](#) [644168-1](#) [644827-2](#) [647662-1](#) [65039-019ELF](#) [65692-001LF](#) [65781-018](#) [65781-047](#)