

**PLEASE CHECK WWW.MOLEX.COM FOR LATEST PART INFORMATION**

**Part Number:** [5037763020](#)  
**Status:** **Active**  
**Overview:** SlimStack Board-to-Board Connectors  
**Description:** SlimStack Board-to-Board Connector, 0.40mm Pitch, B8 Series, Plug, 0.80mm Mated Height, 2.50mm Mated Width, 30 Circuits

**Documents:**

<a href="#">3D Model</a>	<a href="#">Packaging Specification 5037769200-200 (PDF)</a>
<a href="#">Drawing (PDF)</a>	<a href="#">RoHS Certificate of Compliance (PDF)</a>
<a href="#">Product Specification PS-503772-001-001 (PDF)</a>	<a href="#">Product Literature (PDF)</a>
<a href="#">Product Specification PS-503772-002-001 (PDF)</a>	<a href="#">Product Literature (PDF)</a>
<a href="#">Application Specification AS-503772-001-001 (PDF)</a>	

**General**

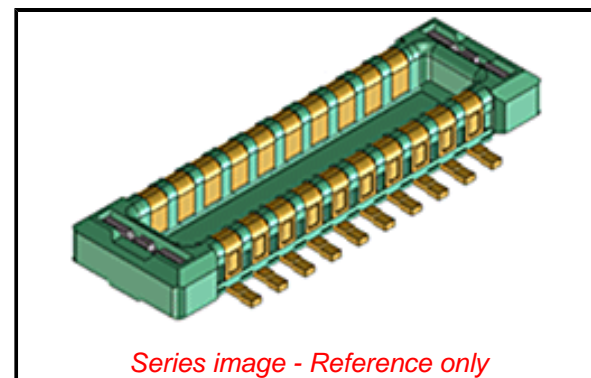
Product Family	PCB Headers
Series	<a href="#">503776</a>
3D Viewer	Yes
Application	Board-to-Board, Signal
CURRENT-MAX-NUMERIC	0.3
Datasheet Order No	987650-6531, 987650-6532_JA, 987650-6533_KO, 987650-6534_ZH, 987650-6536_DE, 987650-6537_ES
Overview	<a href="#">SlimStack Board-to-Board Connectors</a>
PITCH-MATING-NUMERIC	0.40
Product Guide Order No	987651-8281
Product Literature Order No	987652-0196, Reference Guide#
Product Name	SlimStack
Series Name	B8
UPC	191128423335

**Physical**

Breakaway	No
Circuits (Loaded)	30
Circuits (maximum)	30
Color - Resin	Black
Durability (mating cycles max)	30
Glow-Wire Capable	No
Lock to Mating Part	Yes
Mated Height	0.80mm
Mated Width	2.50mm
Material - Metal	Copper Alloy
Material - Plating Mating	Gold
Material - Plating Termination	Gold
Net Weight	13.750/mg
Number of Rows	2
Orientation	Vertical
PCB Locator	No
PCB Retention	Yes
Packaging Type	Embossed Tape on Reel
Pitch - Mating Interface	0.40mm
Polarized to Mating Part	No
Polarized to PCB	No
Temperature Range - Operating	-40° to +85°C
Termination Interface: Style	Surface Mount

**Electrical**

Current - Maximum per Contact	0.3A
Voltage - Maximum	50V AC/DC



**EU ELV**

**Not Relevant**

**EU RoHS**

**Compliant**

**REACH SVHC**

Not Contained Per - ED/71/2019 (16 July 2019)

**Halogen-Free**

**Status**

**Low-Halogen**

For more information, please visit [Contact US](#)

China ROHS

ELV

RoHS Phthalates

**China RoHS**

Green Image

Not Relevant

Not Contained

**Search Parts in this Series**

[503776](#) Series

**Mates With**

SlimStack B8 Receptacle [503772](#)

**Material Info**

**Reference - Drawing Numbers**

Application Specification

AS-503772-001-001

Packaging Specification

5037769200-200

Product Specification

PS-503772-001-001, PS-503772-002-001

Sales Drawing

5037760001-000, 5037761001-000

This document was generated on 09/25/2019

**PLEASE CHECK [WWW.MOLEX.COM](http://WWW.MOLEX.COM) FOR LATEST PART INFORMATION**

## X-ON Electronics

Largest Supplier of Electrical and Electronic Components

*Click to view similar products for [Board to Board & Mezzanine Connectors](#) category:*

*Click to view products by [Molex](#) manufacturer:*

Other Similar products are found below :

[589158040000018](#) [FCN-230C068-11](#) [FCN-268F012-G/BD](#) [FCN-268F036-G/BD](#) [FCN-268M012-G/0D](#) [FCN-268M024-G/1D](#) [FCN-723J004/1](#) [MIS-048-01-F-D-DP-K](#) [832-10-034-10-001000](#) [FX4C-80S-1.27DSA](#) [FCN-214Q030-G/0](#) [FCN-234P048-G/0](#) [FCN-235D050-G/C](#) [2-22603-0](#) [AXG720047](#) [5031084030](#) [MIT-114-03-F-D-K](#) [55323-1519](#) [YFT-20-05-H-03-SB-K](#) [503308-3040](#) [026-6203-PDB](#) [027-6203-PDB](#) [069159702701000](#) [10123981-102LF](#) [101A10019X](#) [55650-0588-C](#) [68682-310LF](#) [68684-306](#) [75140-7012](#) [87471-650](#) [YTW-30-07-H-Q-410-140](#) [194261-1](#) [FCN-268F024-G0D](#) [10124054-515LF](#) [68685-603](#) [8-1616154-3](#) [MIS-019-01-F-D](#) [FCN-268M024-G/3D](#) [FCN-268M036-G/BD](#) [20021832-06016C1LF](#) [KX15-20KLDL-E1000E](#) [AXE810124](#) [FCN-214J100-G/0](#) [FCN-230C068-E/S](#) [AXE812124](#) [AXE816124](#) [AXE720127](#) [354184](#) [MIT-019-04-F-D-K](#) [P50-028-DDS-TG](#)