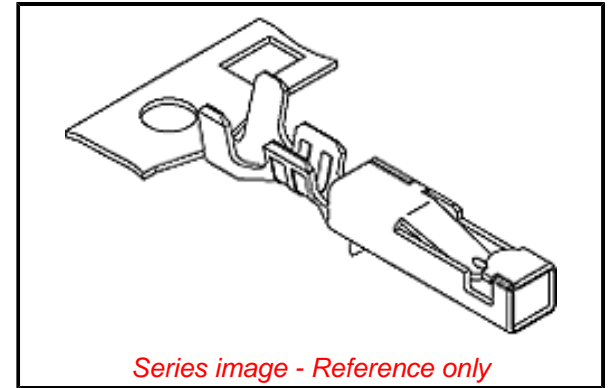


**PLEASE CHECK WWW.MOLEX.COM FOR LATEST PART INFORMATION**

**Part Number:** **0503978100**  
**Status:** **Active**  
**Overview:** CP Wire-to-Board and Wire-to-Wire Connector Systems  
**Description:** CP-2.5 Mini and CP-3.3 Crimp Terminal, Female, 22-28 AWG, Bag

**Documents:**

<a href="#">Drawing (PDF)</a>	<a href="#">Application Specification 5056050000-A00 (PDF)</a>
<a href="#">Product Specification 5056050000-000 (PDF)</a>	<a href="#">Application Specification 5056050000-A01 (PDF)</a>
<a href="#">Product Specification PS-500592-001-001 (PDF)</a>	<a href="#">Application Specification AS-504693-001-001 (PDF)</a>
<a href="#">Product Specification PS-504693-001-001 (PDF)</a>	<a href="#">Application Specification AS-504693-002-001 (PDF)</a>
<a href="#">Product Specification PS-51111-001-001 (PDF)</a>	<a href="#">Packaging Specification SPK-50397-001-001 (PDF)</a>
<a href="#">Product Specification PS-51111-003-001 (PDF)</a>	<a href="#">RoHS Certificate of Compliance (PDF)</a>



**General**

Product Family	Crimp Terminals
Series	50397
Application	Signal, Wire-to-Wire
Crimp Quality Equipment	Yes
Overview	CP Wire-to-Board and Wire-to-Wire Connector Systems
Packaging Alternative	503978000 (Reel)
Product Name	CP-2.5 Mini, CP-3.3
UPC	800754237444

**Physical**

Gender	Female
Material - Metal	Phosphor Bronze
Material - Plating Mating	Tin
Material - Plating Termination	Tin
Net Weight	89.600/mg
Packaging Type	Bag
Plating min - Mating	0.914µm
Plating min - Termination	0.914µm
Termination Interface: Style	Crimp or Compression
Wire Insulation Diameter	1.15-1.80mm
Wire Size AWG	22, 24, 26, 28
Wire Size mm <sup>2</sup>	N/A

**Electrical**

Current - Maximum per Contact	3.0A
Voltage - Maximum	300V AC (RMS)/DC

**Material Info**

**Reference - Drawing Numbers**

Application Specification	5056050000-A00, 5056050000-A01, AS-504693-001-001, AS-504693-002-001
Packaging Specification	SPK-50397-001-001
Product Specification	5056050000-000, PS-500592-001-001, PS-504693-001-001, PS-51111-001-001, PS-51111-003-001
Sales Drawing	SD-50397-001-001

**EU ELV**

**Not Relevant**

**EU RoHS**

**Compliant**

**REACH SVHC**

Not Contained Per -  
D(2021)4569-DC (8  
July 2021)

**Halogen-Free**

**Status**

**Low-Halogen**

For more information, please visit [Contact US](#)

China ROHS

ELV

RoHS Phthalates

**China RoHS**

Green Image

Not Relevant

Not Contained

**Search Parts in this Series**

50397 Series

**Use With**

CP-2.5 Mini Receptacle Housing [500592](#)  
. CP-3.3 Receptacle Housing [504693](#) ,  
[505605](#)

**Application Tooling | FAQ**

*Tooling specifications and manuals are found by selecting the products below. Crimp Height Specifications are then contained in the Application Tooling Specification document.*

**Global**

Description	Product #
-------------	-----------

Extraction and	<a href="#">638132700</a>
----------------	---------------------------

Activation Tool	
-----------------	--

Extraction Tool for	<a href="#">638138600</a>
---------------------	---------------------------

MTC (Multi Terminal	
---------------------	--

Connector) Female	
-------------------	--

Terminal, 14-18	
-----------------	--

AWG	
-----	--

Hand Crimp Tool	<a href="#">638238000</a>
-----------------	---------------------------

for 2.50mm Pitch	
------------------	--

Wire to Wire Crimp  
Terminals

**Japan**

**Description**

**Product #**

Hand Crimp Tool

573165000

Extraction Tool

573166100

This document was generated on 08/25/2021

**PLEASE CHECK [WWW.MOLEX.COM](http://WWW.MOLEX.COM) FOR LATEST PART INFORMATION**

## X-ON Electronics

Largest Supplier of Electrical and Electronic Components

*Click to view similar products for [Headers & Wire Housings](#) category:*

*Click to view products by [Molex](#) manufacturer:*

Other Similar products are found below :

[892-18-020-10-001101](#) [58102-G61-06LF](#) [582553-1](#) [0009485154](#) [009176003701906](#) [0050291907](#) [LY20-4P-DT1-P1E-BR](#) [02.125.8002.8](#)  
[609-3404](#) [61062-3](#) [622-0430](#) [622-3653LF](#) [63453-116](#) [636-1030](#) [636-1427](#) [636-3427](#) [636-4007](#) [641938-9](#) [641991-4](#) [644827-2](#) [65817-010LF](#)  
[65817-015LF](#) [65863-015LF](#) [66207-023LF](#) [67095-007LF](#) [67601157](#) [68648-049](#) [70.362.1628.0](#) [70-4210](#) [70-4226B](#) [70-4853B](#) [707-5020](#) [707-](#)  
[5028](#) [71.350.2428.0](#) [71918-208LF](#) [71961-016LF](#) [733-134](#) [733-162](#) [754199-000](#) [760-3052](#) [787-8014-00](#) [79531-3000](#) [FCN-360C032-B](#) [FCN-](#)  
[367T-T012/H](#) [FCN-723D010/2](#) [80.063.4001.1](#) [800-90-001-10-001000](#) [800-90-010-10-002000](#) [801-43-002-10-013000](#) [801-43-006-10-002000](#)