

PLEASE CHECK WWW.MOLEX.COM FOR LATEST PART INFORMATION

Part Number: **0503988100**
Status: **Active**
Overview: CP Wire-to-Board and Wire-to-Wire Connector Systems
Description: 2.50mm and 3.30mm Pitch Crimp Terminal, Male, 22-28 AWG, Bag

Documents:

Drawing (PDF)	Application Specification 5056050000-A01 (PDF)
Product Specification 5056050000-000 (PDF)	Application Specification AS-504693-001-001 (PDF)
Product Specification PS-500592-001-001 (PDF)	Application Specification AS-504693-002-001 (PDF)
Product Specification PS-504693-001-001 (PDF)	RoHS Certificate of Compliance (PDF)
Product Specification PS-51111-001-001 (PDF)	Product Literature (PDF)
Application Specification 5056050000-A00 (PDF)	

General

Product Family	Crimp Terminals
Series	50398
Application	Signal, Wire-to-Wire
Crimp Quality Equipment	Yes
Overview	CP Wire-to-Board and Wire-to-Wire Connector Systems
Packaging Alternative	503988000 (Reel)
Product Name	CP-2.5 Mini, CP-3.3
UPC	800754237499

Physical

Gender	Male
Material - Metal	Phosphor Bronze
Material - Plating Mating	Tin
Material - Plating Termination	Tin
Net Weight	125.900/mg
Packaging Type	Bag
Plating min - Mating	0.914µm
Plating min - Termination	0.914µm
Termination Interface: Style	Crimp or Compression
Wire Insulation Diameter	1.15-1.80mm
Wire Size AWG	22, 24, 26, 28
Wire Size mm ²	N/A

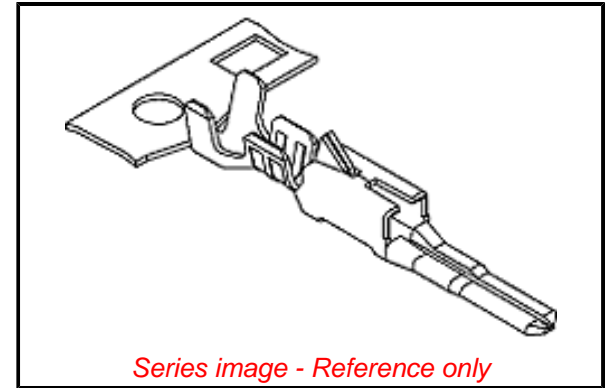
Electrical

Current - Maximum per Contact	3.0A
Voltage - Maximum	300V AC (RMS)/DC

Material Info

Reference - Drawing Numbers

Application Specification	5056050000-A00, 5056050000-A01, AS-504693-001-001, AS-504693-002-001
Product Specification	5056050000-000, PS-500592-001-001, PS-504693-001-001, PS-51111-001-001
Sales Drawing	SD-50398-001-001



EU ELV

Not Relevant

EU RoHS

Compliant

REACH SVHC

Not Contained Per -
D(2021)4569-DC (8
July 2021)

Halogen-Free

Status

Low-Halogen

For more information, please visit [Contact US](#)

China ROHS

ELV

RoHS Phthalates

China RoHS

Green Image

Not Relevant

Not Contained

Search Parts in this Series

50398 Series

Use With

CP-2.5 Mini Plug Housing [500593](#)

CP-3.3 Plug Housing [504694](#) , [505606](#)

Application Tooling | FAQ

Tooling specifications and manuals are found by selecting the products below. Crimp Height Specifications are then contained in the Application Tooling Specification document.

Global

Description

Product #

Extraction Tool for [638138600](#)

MTC (Multi Terminal
Connector) Female
Terminal, 14-18
AWG

Hand Crimp Tool [638238000](#)

for 2.50mm Pitch
Wire to Wire Crimp
Terminals

Japan

Description	Product #
Hand Crimp Tool	<u>573165000</u>
Hand Extraction Tool	<u>573166000</u>
Extraction Tool	<u>573166100</u>

This document was generated on 09/13/2021

PLEASE CHECK WWW.MOLEX.COM FOR LATEST PART INFORMATION

X-ON Electronics

Largest Supplier of Electrical and Electronic Components

Click to view similar products for [Headers & Wire Housings](#) category:

Click to view products by [Molex](#) manufacturer:

Other Similar products are found below :

[892-18-020-10-001101](#) [58102-G61-06LF](#) [582553-1](#) [0009485154](#) [009176003701906](#) [0050291907](#) [LY20-4P-DT1-P1E-BR](#) [02.125.8002.8](#)
[609-3404](#) [61062-3](#) [61082-181009](#) [622-3653LF](#) [63453-116](#) [636-1030](#) [636-1427](#) [636-3427](#) [636-4007](#) [641938-9](#) [641991-4](#) [644827-2](#) [65817-](#)
[010LF](#) [65817-015LF](#) [65863-015LF](#) [66207-023LF](#) [67095-007LF](#) [67601157](#) [68648-049](#) [70.362.1628.0](#) [70-4210](#) [70-4226B](#) [70-4853B](#) [707-](#)
[5020](#) [707-5028](#) [71.350.2428.0](#) [71918-208LF](#) [71961-016LF](#) [733-134](#) [733-162](#) [754199-000](#) [760-3052](#) [787-8014-00](#) [79531-3000](#) [FCN-](#)
[360C032-B](#) [FCN-367T-T012/H](#) [FCN-723D010/2](#) [80.063.4001.1](#) [800-90-001-10-001000](#) [800-90-010-10-002000](#) [801-43-002-10-013000](#)
[801-43-006-10-002000](#)