

PLEASE CHECK WWW.MOLEX.COM FOR LATEST PART INFORMATION

Part Number: [5041892070](#)
Status: **Active**
Overview: [Micro-Lock™ Connectors](#)
Description: Micro-Lock 1.25mm Pitch Dual-Row Right-Angle Header, Beige, 20 Circuits

Documents:

3D Model	Application Specification AS-504186-002-001 (PDF)
Drawing (PDF)	Packaging Specification SPK-504189-001-001 (PDF)
Product Specification PS-504186-001-001 (PDF)	RoHS Certificate of Compliance (PDF)
Application Specification AS-504186-001-001 (PDF)	

General

Product Family	PCB Headers
Series	504189
Application	Wire-to-Board
CURRENT-MAX-NUMERIC	1.5
Overview	Micro-Lock™ Connectors
PITCH-MATING-NUMERIC	1.25
Product Name	Micro-Lock
UPC	887191185606

Physical

Breakaway	No
Circuits (Loaded)	20
Circuits (maximum)	20
Color - Resin	Beige
Durability (mating cycles max)	30
First Mate / Last Break	No
Glow-Wire Capable	No
Guide to Mating Part	No
Lock to Mating Part	Yes
Material - Metal	Brass
Material - Plating Mating	Tin
Material - Plating Termination	Nickel
Net Weight	986.315/mg
Number of Rows	2
Orientation	Right Angle
PC Tail Length	3.00mm
PCB Locator	No
PCB Retention	None
PCB Thickness - Recommended	1.20mm, 1.60mm
Packaging Type	Embossed Tape on Reel
Pitch - Mating Interface	1.25mm
Pitch - Termination Interface	1.25mm
Temperature Range - Operating	-25° to +85°C
Termination Interface: Style	Surface Mount

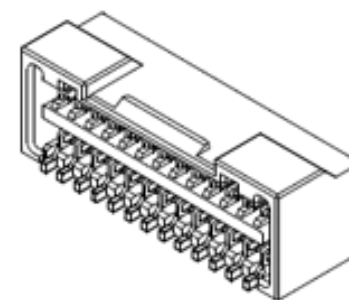
Electrical

Current - Maximum per Contact	1.5A
Voltage - Maximum	50V

Material Info

Reference - Drawing Numbers

Application Specification	AS-504186-001-001, AS-504186-002-001
Packaging Specification	SPK-504189-001-001
Product Specification	PS-504186-001-001
Sales Drawing	SD-504189-001, SD-504189-002



Series image - Reference only

EU ELV

Not Relevant

EU RoHS

Compliant

REACH SVHC

Not Contained Per -
ED/71/2019 (16 July
2019)

Halogen-Free

Status

Not Low-Halogen

For more information, please visit [Contact US](#)

China ROHS

ELV

RoHS Phthalates

China RoHS

Green Image

Not Relevant

Not Contained

Search Parts in this Series

[504189](#) Series

Mates With

[504186](#) Micro-Lock Wire-to-Board Crimp Housing

This document was generated on 09/14/2019

PLEASE CHECK WWW.MOLEX.COM FOR LATEST PART INFORMATION

X-ON Electronics

Largest Supplier of Electrical and Electronic Components

Click to view similar products for [Headers & Wire Housings](#) category:

Click to view products by [Molex](#) manufacturer:

Other Similar products are found below :

[892-18-020-10-001101](#) [58102-G61-06LF](#) [582553-1](#) [0009485154](#) [009176003701906](#) [0050291907](#) [LY20-4P-DT1-P1E-BR](#) [02.125.8002.8](#)
[609-3404](#) [61062-3](#) [622-0430](#) [622-3653LF](#) [63453-116](#) [636-1030](#) [636-1427](#) [636-3427](#) [636-4007](#) [641938-9](#) [641991-4](#) [644827-2](#) [65817-010LF](#)
[65817-015LF](#) [65863-015LF](#) [66207-023LF](#) [67095-007LF](#) [67601157](#) [68648-049](#) [70.362.1628.0](#) [70-4210](#) [70-4226B](#) [70-4853B](#) [707-5020](#) [707-5028](#) [71.350.2428.0](#) [71918-208LF](#) [71961-016LF](#) [733-134](#) [733-162](#) [754199-000](#) [760-3052](#) [787-8014-00](#) [79531-3000](#) [FCN-360C032-B](#) [FCN-367T-T012/H](#) [FCN-723D010/2](#) [80.063.4001.1](#) [800-90-001-10-001000](#) [800-90-010-10-002000](#) [801-43-002-10-013000](#) [801-43-006-10-002000](#)