

**PLEASE CHECK WWW.MOLEX.COM FOR LATEST PART INFORMATION**

**Part Number:** [5041930800](#)  
**Status:** **Active**  
**Overview:** [Micro-Lock™ Connectors](#)  
**Description:** [Micro-Lock 1.25mm Pitch Single-Row Crimp Housing, White, 8 Circuits, 5041930800](#)

**Documents:**

|   |   |
|---|---|
| <a href="#">3D Model</a>  | <a href="#">Application Specification AS-504193-002-001 (PDF)</a> |
| <a href="#">Drawing (PDF)</a>                                     | <a href="#">Packaging Specification SPK-504193-001-001 (PDF)</a>  |
| <a href="#">Product Specification PS-504193-001-001 (PDF)</a>     | <a href="#">RoHS Certificate of Compliance (PDF)</a>              |
| <a href="#">Application Specification AS-504193-001-001 (PDF)</a> |   |

**General**

|                |  |
|----------------|--|
| Product Family | Crimp Housings                         |
| Series         | <a href="#">504193</a>                 |
| Application    | Wire-to-Board                          |
| Overview       | <a href="#">Micro-Lock™ Connectors</a> |
| Product Name   | Micro-Lock                             |
| UPC            | 887191055077                           |

**Physical**

|                               |               |
|-------------------------------|---------------|
| Circuits (maximum)            | 8             |
| Color - Resin                 | White         |
| Gender                        | Receptacle    |
| Glow-Wire Capable             | No            |
| Lock to Mating Part           | Yes           |
| Material - Resin              | Polyester     |
| Net Weight                    | 150.628/mg    |
| Number of Rows                | 1             |
| Packaging Type                | Tray          |
| Panel Mount                   | No            |
| Pitch - Mating Interface      | 1.25mm        |
| Pitch - Termination Interface | 1.25mm        |
| Polarized to Mating Part      | Yes           |
| Temperature Range - Operating | -25° to +85°C |

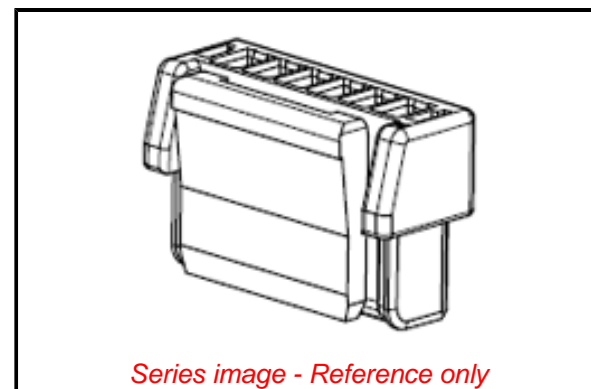
**Electrical**

|                               |      |
|-------------------------------|------|
| Current - Maximum per Contact | 1.5A |
|-------------------------------|------|

**Material Info**

**Reference - Drawing Numbers**

|                           |                                      |
|---------------------------|--------------------------------------|
| Application Specification | AS-504193-001-001, AS-504193-002-001 |
| Packaging Specification   | SPK-504193-001-001                   |
| Product Specification     | PS-504193-001-001                    |
| Sales Drawing             | SD-504193-001                        |



**EU ELV**

**Not Relevant**

**EU RoHS**

**Compliant**

**REACH SVHC**

Not Contained Per -  
ED/71/2019 (16 July  
2019)

**Halogen-Free**

**Status**

**Not Low-Halogen**

For more information, please visit [Contact US](#)

China ROHS

ELV

RoHS Phthalates

**China RoHS**

Green Image

Not Relevant

Not Contained

**Search Parts in this Series**

[504193 Series](#)

**Mates With**

[504194](#) Micro-Lock 1.25mm Pitch Vertical Header, [504195](#) Micro-Lock 1.25mm Pitch Right Angle Header

**Use With**

Micro-Lock Wire-to-Board Crimp Terminal [5041851000](#)

## X-ON Electronics

Largest Supplier of Electrical and Electronic Components

*Click to view similar products for [Headers & Wire Housings](#) category:*

*Click to view products by [Molex](#) manufacturer:*

Other Similar products are found below :

[892-18-020-10-001101](#) [58102-G61-06LF](#) [582553-1](#) [0009485154](#) [009176003701906](#) [0050291907](#) [LY20-4P-DT1-P1E-BR](#) [02.125.8002.8](#)  
[609-3404](#) [61062-3](#) [622-0430](#) [622-3653LF](#) [63453-116](#) [636-1030](#) [636-1427](#) [636-3427](#) [636-4007](#) [641938-9](#) [641991-4](#) [644827-2](#) [65817-010LF](#)  
[65817-015LF](#) [65863-015LF](#) [66207-023LF](#) [67095-007LF](#) [67601157](#) [68648-049](#) [70.362.1628.0](#) [70-4210](#) [70-4226B](#) [70-4853B](#) [707-5020](#) [707-5028](#) [71.350.2428.0](#) [71918-208LF](#) [71961-016LF](#) [733-134](#) [733-162](#) [754199-000](#) [760-3052](#) [787-8014-00](#) [79531-3000](#) [FCN-360C032-B](#) [FCN-367T-T012/H](#) [FCN-723D010/2](#) [80.063.4001.1](#) [800-90-001-10-001000](#) [800-90-010-10-002000](#) [801-43-002-10-013000](#) [801-43-006-10-002000](#)