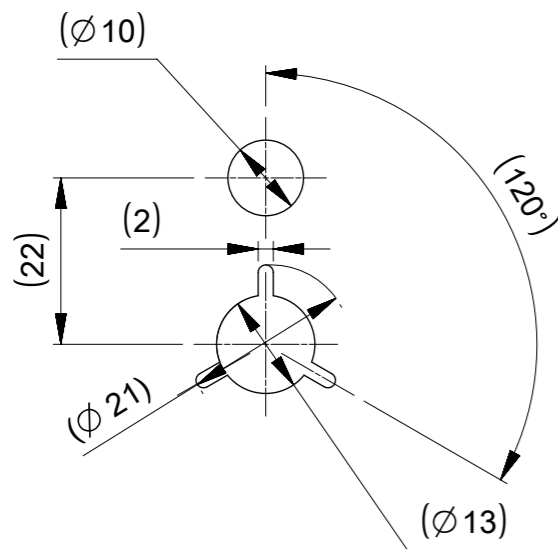
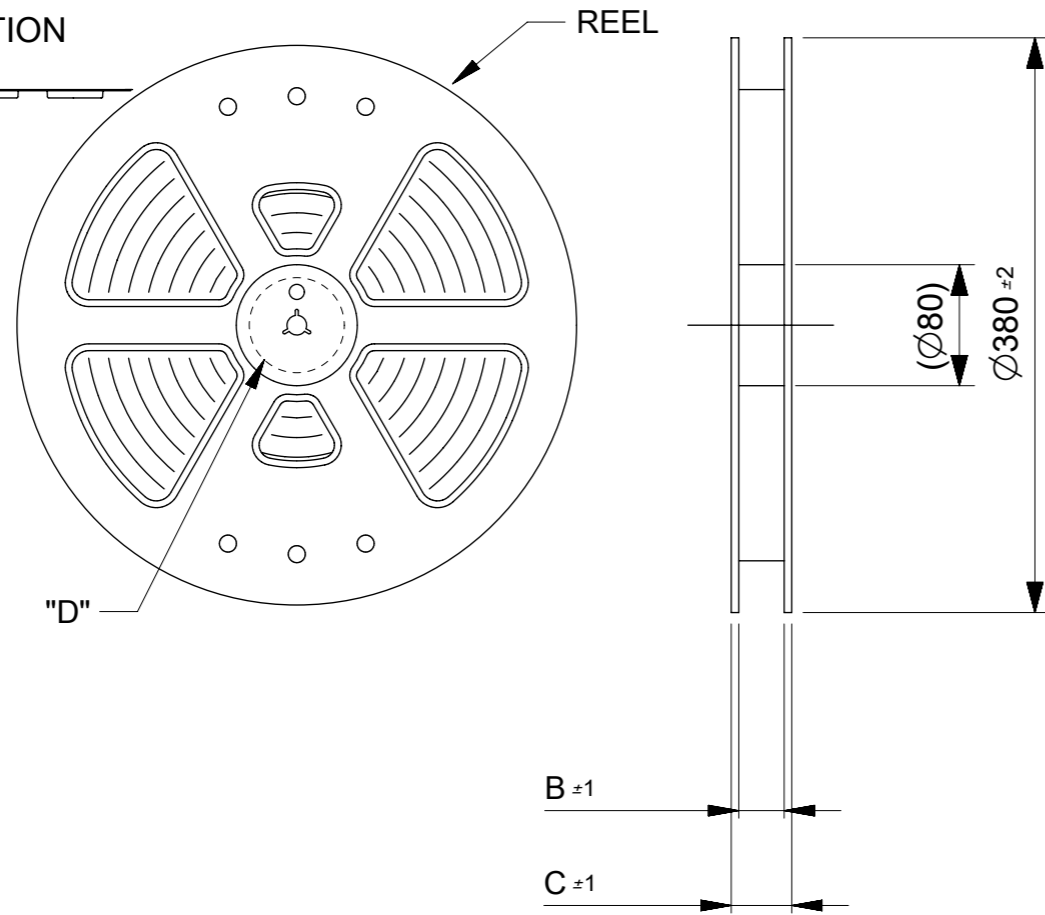


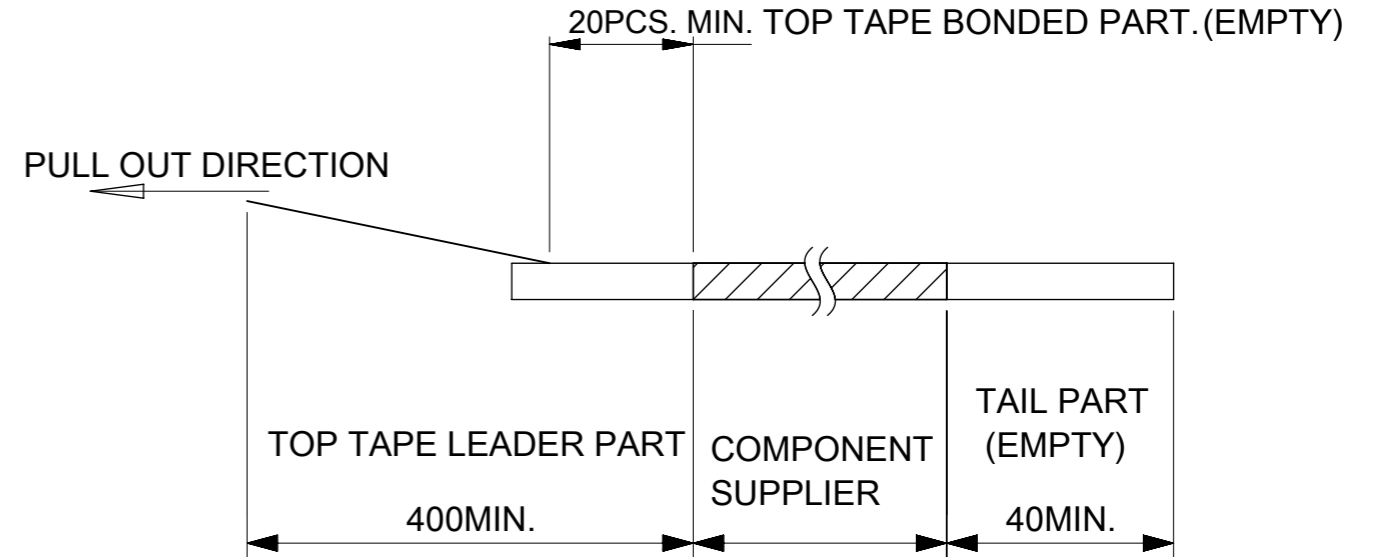
PULL OUT DIRECTION



DETAIL "D"

NOTES

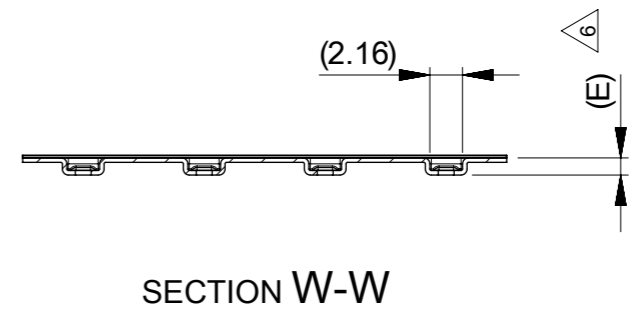
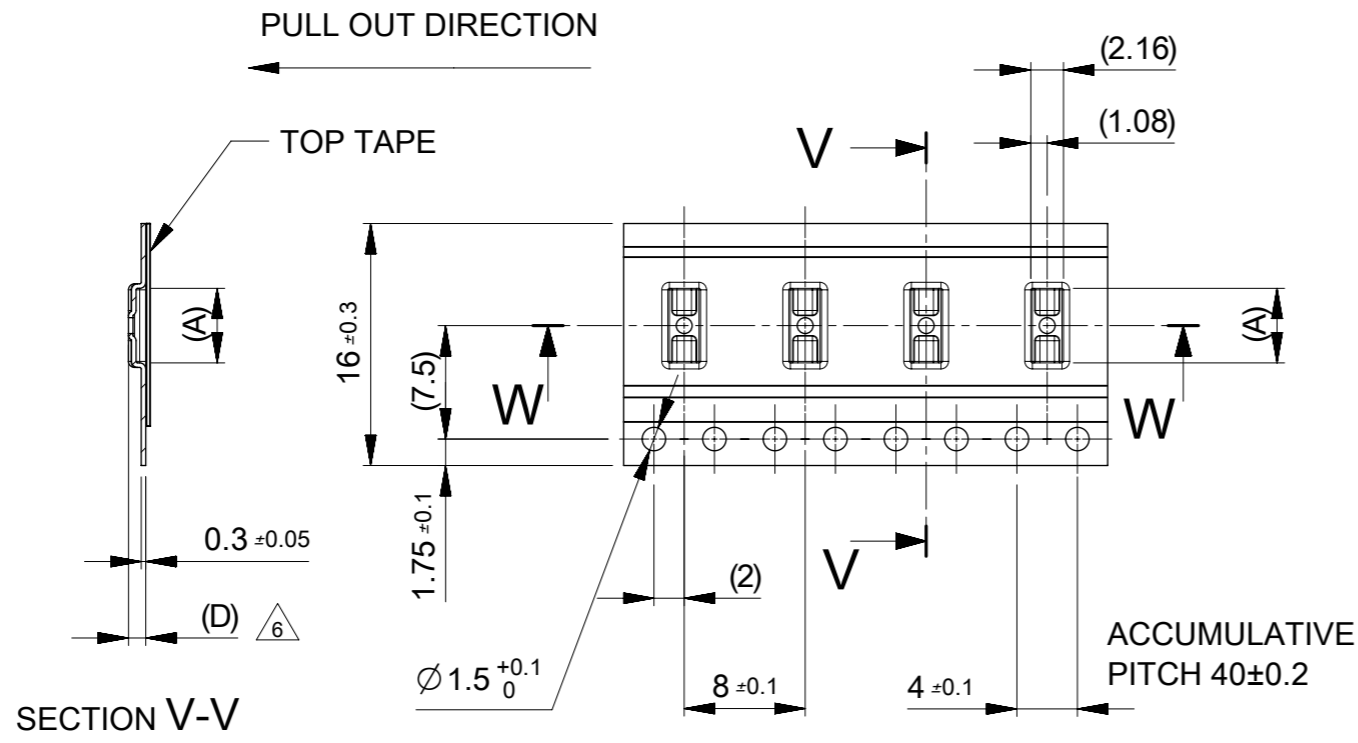
1. RE DETAILED DIMENSION, SEE PRODUCT DRAWING.
2. NUMBER OF CONNECTORS : 8000 PCS/REEL.
3. LEAD TAPE LENGTH.



4. TOP TAPE PEEL FORCE IS DEFINED BY IEC60286-3
5. MATERIAL
CARRER TAPE :POLYSTYRENE
TOP TAPE :PET , OTHER
REEL :POLYSTYRENE(PS)(RECYCLE MATERIAL CONTAINED)
- △ ONLY 6 CIRCUIT IS DIFFERENT IN THIS DIMENSION.

MODEL NO. 505070-**42

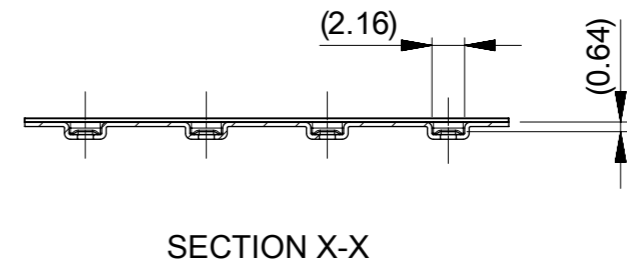
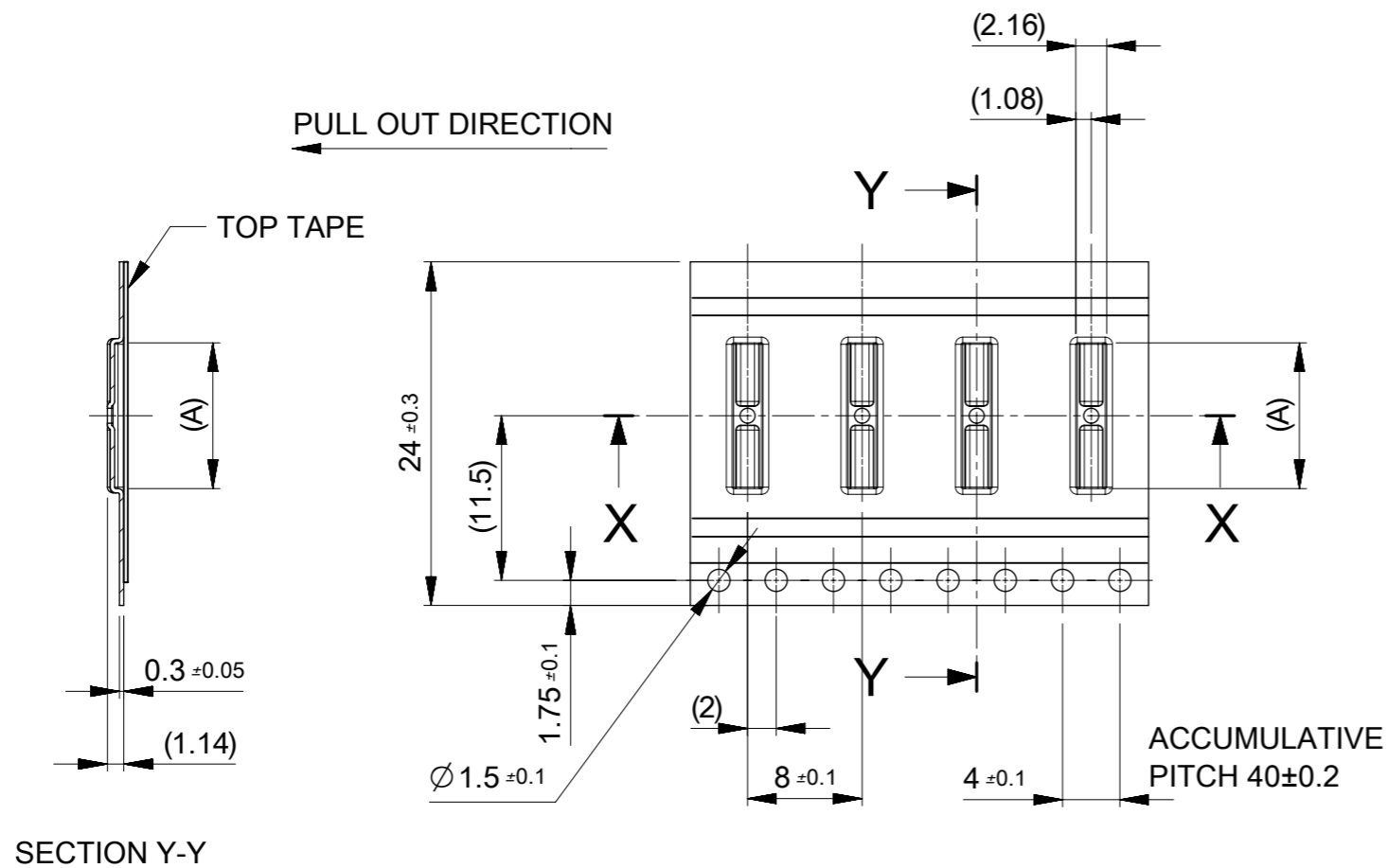
| | | | | | | | | | |
|---|--|---------|--|--|--|---------|--|--------|--|
| THIS DRAWING CONTAINS INFORMATION THAT IS PROPRIETARY TO MOLEX ELECTRONIC TECHNOLOGIES, LLC AND SHOULD NOT BE USED WITHOUT WRITTEN PERMISSION | | | | | | | | | |
| DIMENSION UNITS | | SCALE | | CURRENT REV DESC: REVISED | | | | | |
| mm | | 1:5 | | <p>molex</p> <p>0.35 BB CONN. H=0.6 SSB6 RP PLUG ASSY</p> <p>PRODUCT CUSTOMER DRAWING</p> <p>DOCUMENT NUMBER: 5050700000 DOC TYPE: PSD DOC PART: 008 REVISION: C</p> <p>MATERIAL NUMBER: CUSTOMER: GENERAL SHEET NUMBER: 1 OF 3</p> | | | | | |
| GENERAL TOLERANCES (UNLESS SPECIFIED) | | | | | | | | | |
| ANGULAR TOL ± 1.0 ° | | | | | | | | | |
| 4 PLACES ± 0.01 | | | | | | | | | |
| 3 PLACES ± 0.03 | | | | | | | | | |
| 2 PLACES ± 0.05 | | | | | | | | | |
| 1 PLACE ± 0.1 | | | | | | | | | |
| 0 PLACES ± 0.2 | | | | | | | | | |
| DRAFT WHERE APPLICABLE MUST REMAIN WITHIN DIMENSIONS | | | | THIRD ANGLE PROJECTION | | DRAWING | | SERIES | |
| | | A3-SIZE | | 505070 | | | | | |



| | | | | | | | | | | | | | |
|--------------------------------|------|------|------|------|------|-------------|-----|-----|-----|--------------|----------------|---------------|---------|
| 16 | 0.64 | 1.14 | 21.4 | 17.4 | 6.68 | 505070-3042 | ○ | --- | 30 | | | | |
| | | | | | 5.63 | 505070-2442 | ○ | --- | 24 | | | | |
| | | | | | 5.28 | 505070-2242 | ○ | --- | 22 | | | | |
| | | | | | 4.93 | 505070-2042 | ○ | --- | 20 | | | | |
| | | | | | 4.58 | 505070-1842 | --- | --- | 18 | | | | |
| | | | | | 4.23 | 505070-1642 | ○ | --- | 16 | | | | |
| | | | | | 3.88 | 505070-1442 | ○ | --- | 14 | | | | |
| | | | | | 3.53 | 505070-1242 | ○ | --- | 12 | | | | |
| | | | | | 3.18 | 505070-1042 | ○ | --- | 10 | | | | |
| | | | | | 2.78 | 505070-0842 | ○ | --- | 8 | | | | |
| | | | | | 2.43 | 505070-0642 | ○ | --- | 6 | | | | |
| キャリアテープ幅 CARRIER TAPE WIDTH | | | | | (E) | (D) | C | B | (A) | MATERIAL No. | HIGH VOL. TOOL | LOW VOL. TOOL | CIRCUIT |
| SAMPLE PREPARATION | | | | | | | | | | | | | |

THIS DRAWING CONTAINS INFORMATION THAT IS PROPRIETARY TO MOLEX ELECTRONIC TECHNOLOGIES, LLC AND SHOULD NOT BE USED WITHOUT WRITTEN PERMISSION

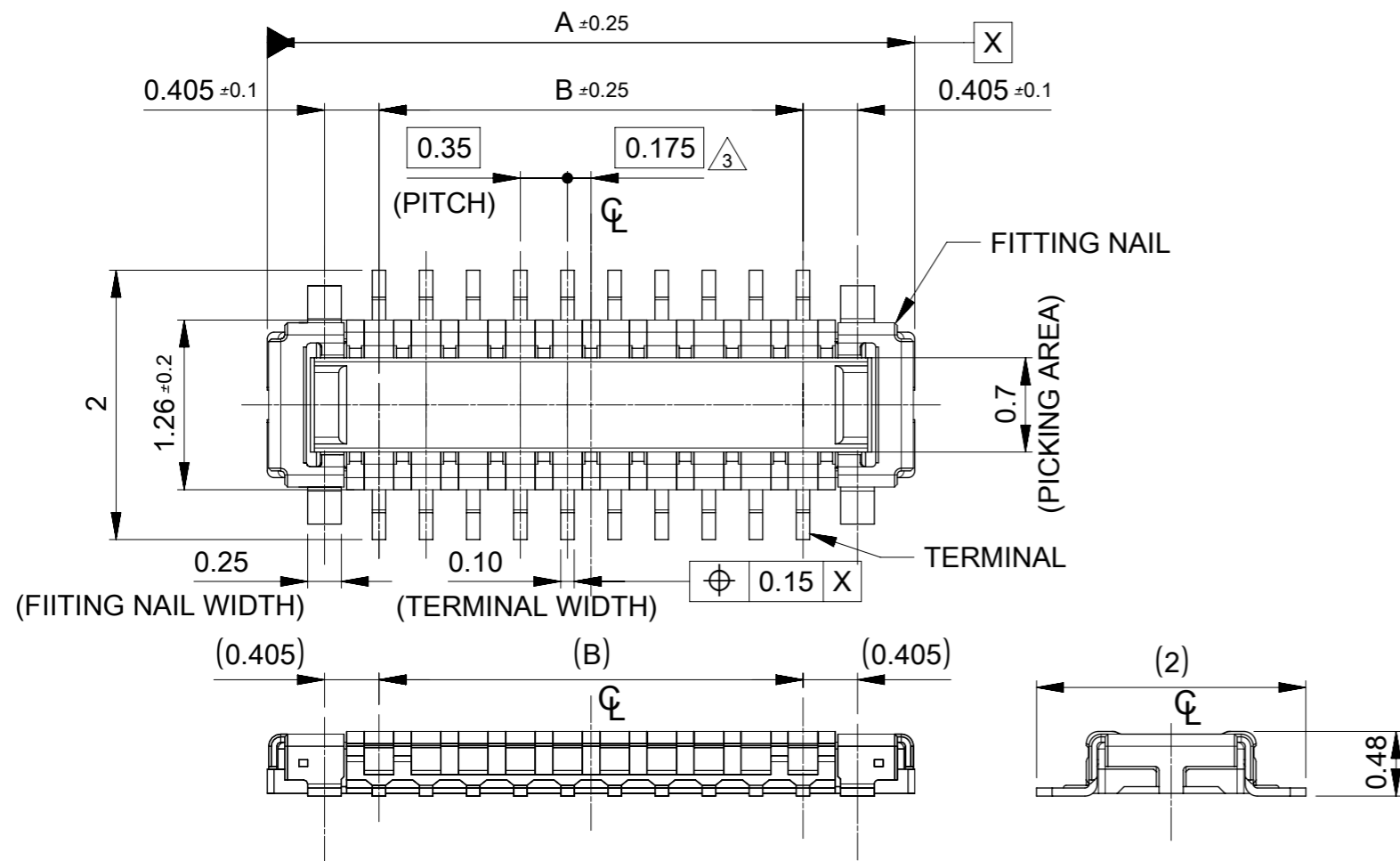
| | | | | | |
|--|---------------------|---------------------------|------------|---------------------------------------|-----------------|
| DIMENSION UNITS mm | SCALE 2:1 | CURRENT REV DESC: REVISED | | molex | |
| GENERAL TOLERANCES (UNLESS SPECIFIED) | | EC NO: 612826 | | 0.35 BB CONN. H=0.6 SSB6 RP PLUG ASSY | |
| ANGULAR TOL | ± 1.0 ° | DRWN: GSHARMA | 2019/02/22 | PRODUCT CUSTOMER DRAWING | |
| 4 PLACES | ± 0.01 | CHK'D: MSASAO | 2019/02/27 | DOCUMENT NUMBER | |
| 3 PLACES | ± 0.03 | APPR: MSASAO | 2019/02/27 | 5050700000 | |
| 2 PLACES | ± 0.05 | INITIAL REVISION: | | DOC TYPE | DOC PART |
| 1 PLACE | ± 0.1 | DRWN: TNISHIDA02 | 2017/03/28 | PSD | 008 |
| 0 PLACES | ± 0.2 | APPR: TKUSUHARA01 | 2017/04/03 | REVISION | |
| DRAFT WHERE APPLICABLE MUST REMAIN WITHIN DIMENSIONS | | THIRD ANGLE PROJECTION | DRAWING | SERIES | MATERIAL NUMBER |
| | | | A3-SIZE | 505070 | CUSTOMER |
| | | | | | GENERAL |
| | | | | | SHEET NUMBER |
| | | | | | 2 OF 3 |



| | | | | | | | |
|--------------------------------|-------------|------|-------|--------------|--------------------|--------------|---------|
| 24 | 29.4 | 25.4 | 12.63 | 505070-6442 | --- | --- | 64 |
| | | | 11.93 | 505070-6042 | --- | --- | 60 |
| | | | 10.88 | 505070-5442 | ○ | --- | 54 |
| | | | 10.18 | 505070-5042 | ○ | --- | 50 |
| | | | 9.83 | 505070-4842 | ○ | --- | 48 |
| | | | 9.48 | 505070-4642 | --- | --- | 46 |
| | | | 8.78 | 505070-4242 | ○ | --- | 42 |
| | | | 8.43 | 505070-4042 | ○ | --- | 40 |
| | | | 7.38 | 505070-3442 | ○ | --- | 34 |
| 7.03 | 505070-3242 | --- | --- | 32 | | | |
| キャリアテープ幅 CARRIER TAPE WIDTH | C | B | (A) | MATERIAL No. | HIGH VOL TOOL | LOW VOL TOOL | CIRCUIT |
| | | | | | SAMPLE PREPARATION | | |

THIS DRAWING CONTAINS INFORMATION THAT IS PROPRIETARY TO MOLEX ELECTRONIC TECHNOLOGIES, LLC AND SHOULD NOT BE USED WITHOUT WRITTEN PERMISSION

| | | | | | | | |
|--|--------------|------------------------------|---------|--------------------------|-----------------|----------|---------------------------------------|
| DIMENSION UNITS mm | SCALE 2:1 | CURRENT REV DESC: REVISED | | molex | | | |
| GENERAL TOLERANCES (UNLESS SPECIFIED) | | EC NO: 612826 | | | | | 0.35 BB CONN. H=0.6 SSB6 RP PLUG ASSY |
| ANGULAR TOL | ± 1.0° | DRWN: GSHARMA 2019/02/22 | | PRODUCT CUSTOMER DRAWING | | | |
| 4 PLACES | ± 0.01 | CHK'D: MSASAO 2019/02/27 | | DOCUMENT NUMBER | | | |
| 3 PLACES | ± 0.03 | APPR: MSASAO 2019/02/27 | | 5050700000 | | | |
| 2 PLACES | ± 0.05 | INITIAL REVISION: | | DOC TYPE | DOC PART | REVISION | |
| 1 PLACE | ± 0.1 | DRWN: TNISHIDA02 2017/03/28 | | PSD | 008 | C | |
| 0 PLACES | ± 0.2 | APPR: TKUSUHARA01 2017/04/03 | | SHEET NUMBER | | | |
| DRAFT WHERE APPLICABLE MUST REMAIN WITHIN DIMENSIONS | | THIRD ANGLE PROJECTION | DRAWING | SERIES | MATERIAL NUMBER | CUSTOMER | SHEET NUMBER |
| | | | A3-SIZE | 505070 | | GENERAL | 3 OF 3 |



- 1 MATERIAL
 WAFER: LIQUID CRYSTAL POLYMER UL94V-0 (COLOR : BLACK)
 TERMINAL: COPPER ALLOY
 FITTING NAIL : COPPER ALLOY
- 2 PLATING
 TERMINAL :
 CONTACT AREA: SEPARATED GOLD PLATING (0.1 MICROMETER MINIMUM).
 SOLDER TAIL AREA: SEPARATED GOLD PLATING.
 UNDERPLATE: NICKEL OVERALL.
 *DIVIDE INTO PARTS THE GOLD PLATING OF THE CONTACT AND THE TAIL PART BY THE NICKEL PLATING.
- FITTING NAIL :
 CONTACT AREA: SEPARATED GOLD PLATING (0.1 MICROMETER MINIMUM).
 SOLDER TAIL AREA: SEPARATED GOLD PLATING.
 UNDERPLATE: NICKEL OVERALL.
 *DIVIDE INTO PARTS THE GOLD PLATING OF THE CONTACT AND THE TAIL PART BY THE NICKEL PLATING.
 *EVEN THOUGH GOLD PLATING ON THE TOP SURFACE OF NAIL MIGHT BE THIN, NO FUNCTIONAL PROBLEM.

- 3 APPLY FOR (CIRCUIT/2)=EVEN.
- 4 MATE WITH : 505066**22 (H=0.6) , 505270**12 (H=0.7)
- 5 TAIL AND FITTING NAIL COPLANARITY TO BE 0.08 MAXIMUM.
- 6 PROHIBITED AREA OF PATTERN WIRING AND SOLDER.
 (FOR EACH AREA, THE WIRING THAT TOUCHES ON THE SOLDER CAN BE ATTACHED, THEN COVERED WITH A FILM TO KEEP SOLDER OUT).
- 7 THIS DIMENSION SHOWS THE DIMENSION BETWEEN SOLDERING SURFACE OF SOLDER TAILS.

| | | | | | | | |
|-------|-------|-------|-------|-------------|-----|-----|----|
| 14.76 | 14.16 | 11.90 | 13.56 | 505070-7042 | --- | --- | 70 |
| 13.71 | 13.11 | 10.85 | 12.51 | 505070-6442 | --- | --- | 64 |
| 13.01 | 12.41 | 10.15 | 11.81 | 505070-6042 | --- | --- | 60 |
| 12.66 | 12.06 | 9.80 | 11.46 | 505070-5842 | --- | --- | 58 |
| 11.96 | 11.36 | 9.10 | 10.76 | 505070-5442 | ○ | --- | 54 |
| 11.26 | 10.66 | 8.40 | 10.06 | 505070-5042 | ○ | --- | 50 |
| 10.91 | 10.31 | 8.05 | 9.71 | 505070-4842 | ○ | --- | 48 |
| 10.56 | 9.96 | 7.70 | 9.36 | 505070-4642 | --- | --- | 46 |
| 9.86 | 9.26 | 7.00 | 8.66 | 505070-4242 | ○ | --- | 42 |
| 9.51 | 8.91 | 6.65 | 8.31 | 505070-4042 | ○ | --- | 40 |
| 9.16 | 8.56 | 6.30 | 7.96 | 505070-3842 | --- | --- | 38 |
| 8.46 | 7.86 | 5.60 | 7.26 | 505070-3442 | ○ | --- | 34 |
| 8.11 | 7.51 | 5.25 | 6.91 | 505070-3242 | --- | --- | 32 |
| 7.76 | 7.16 | 4.90 | 6.56 | 505070-3042 | ○ | --- | 30 |
| 7.41 | 6.81 | 4.55 | 6.21 | 505070-2842 | --- | --- | 28 |
| 6.71 | 6.11 | 3.85 | 5.51 | 505070-2442 | ○ | --- | 24 |
| 6.36 | 5.76 | 3.50 | 5.16 | 505070-2242 | ○ | --- | 22 |
| 6.01 | 5.41 | 3.15 | 4.81 | 505070-2042 | ○ | --- | 20 |
| 5.66 | 5.06 | 2.80 | 4.46 | 505070-1842 | --- | --- | 18 |
| 5.31 | 4.71 | 2.45 | 4.11 | 505070-1642 | ○ | --- | 16 |
| 4.96 | 4.36 | 2.10 | 3.76 | 505070-1442 | ○ | --- | 14 |
| 4.61 | 4.01 | 1.75 | 3.41 | 505070-1242 | ○ | --- | 12 |
| 4.26 | 3.66 | 1.40 | 3.06 | 505070-1042 | ○ | --- | 10 |
| 3.91 | 3.31 | 1.05 | 2.71 | 505070-0842 | ○ | --- | 8 |
| 3.56 | 2.96 | 0.70 | 2.36 | 505070-0642 | ○ | --- | 6 |

| | | | | | | | |
|---|---|---|---|-----------------------|---|---------------|---------|
| D | C | B | A | EMBOSSED TAPE PACKAGE | HIGH VOL. TOOL | LOW VOL. TOOL | CIRCUIT |
| | | | | ORDER NO. | SAMPLE PREPARATION ○ : TOOLED △ : WORK IN PROCESS ---: TOOLING TO BE CONFIRMED | | |

CONNECTOR SERIES NO. : 505070-**39

THIS DRAWING CONTAINS INFORMATION THAT IS PROPRIETARY TO MOLEX ELECTRONIC TECHNOLOGIES, LLC AND SHOULD NOT BE USED WITHOUT WRITTEN PERMISSION

DIMENSION UNITS: mm SCALE: 20:1 CURRENT REV DESC: REVISED

GENERAL TOLERANCES (UNLESS SPECIFIED): ANGULAR TOL ± 1.0°

4 PLACES ± 0.01
 3 PLACES ± 0.03
 2 PLACES ± 0.05
 1 PLACE ± 0.1
 0 PLACES ± 0.2

DRAFT WHERE APPLICABLE MUST REMAIN WITHIN DIMENSIONS

THIRD ANGLE PROJECTION

DRAWING: A3-SIZE SERIES: 505070

EC NO: 646121
 DRWN: YSEKI01 2019/09/19
 CHK'D: STERUKI 2020/09/28
 APPR: YNAITO 2020/09/28

INITIAL REVISION:
 DRWN: TNISHIDA02 2017/03/28
 APPR: TKUSUHARA01 2017/04/03

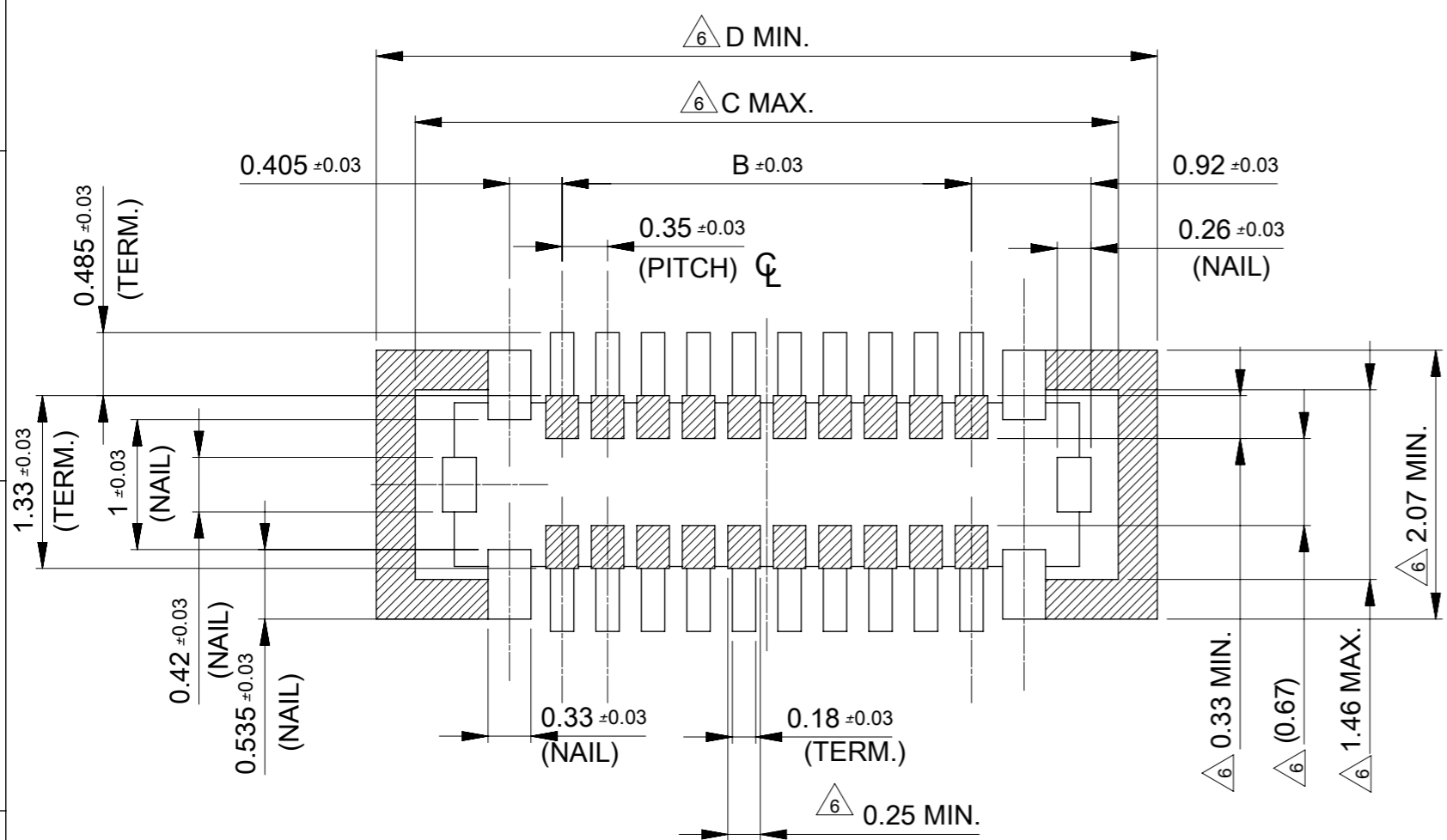
molex

0.35 BB CONN. SSB6 RP PLUG ASSY

PRODUCT CUSTOMER DRAWING

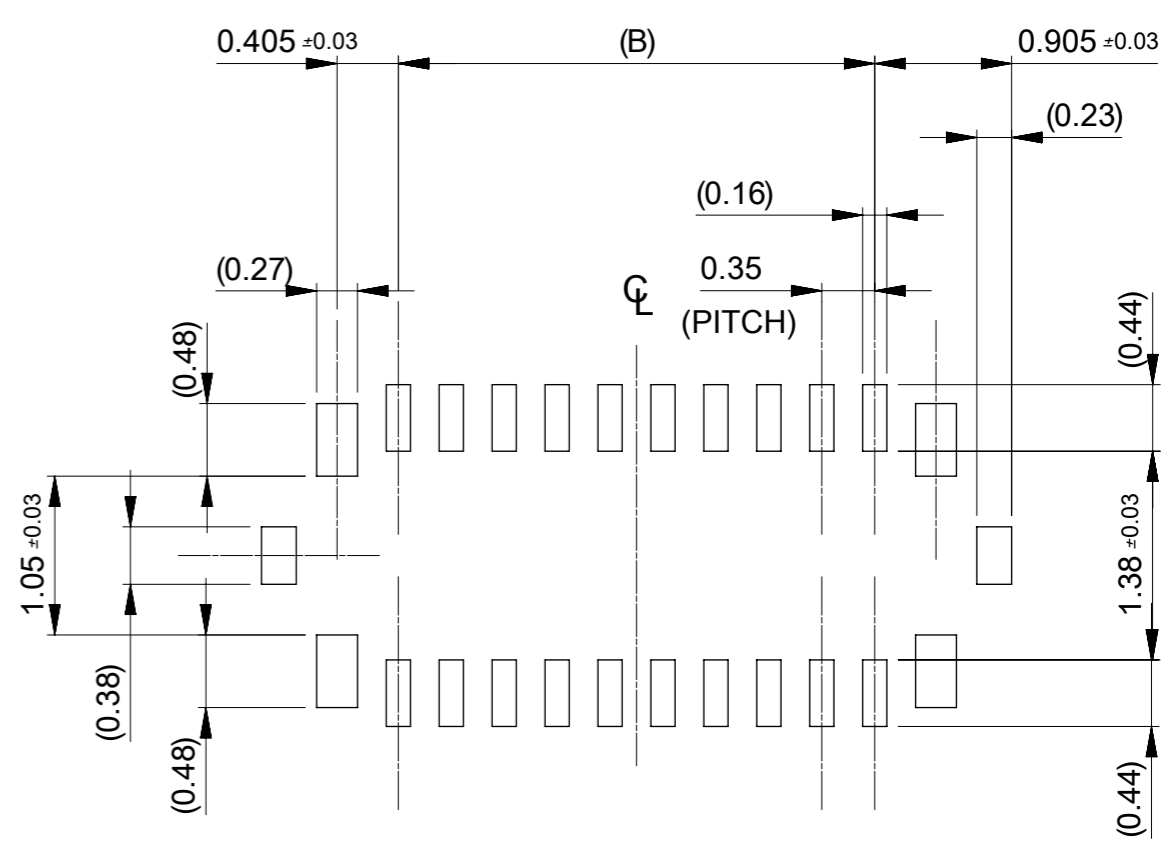
DOCUMENT NUMBER: 5050701000 DOC TYPE: PSD DOC PART: 020 REVISION: D

MATERIAL NUMBER: CUSTOMER: GENERAL SHEET NUMBER: 1 OF 2



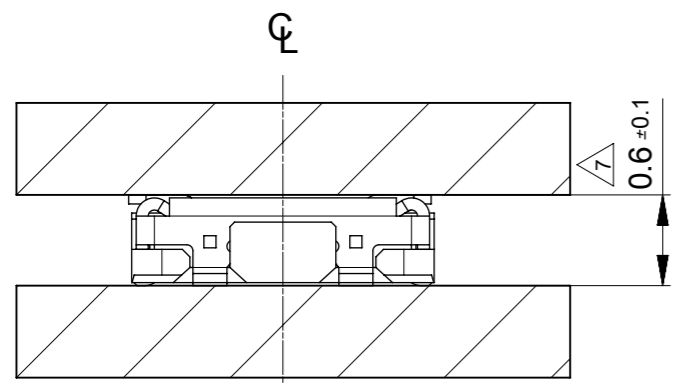
RECOMENDED P.W.BOARD PATTERN LAYOUT(REFERENCE)

△ PROHIBITED AREA OF PATTERN WIRING AND SOLDER.
 (FOR EACH AREA, THE WIRING THAT TOUCHES ON THE SOLDER
 CAN BE ATTACHED, THEN COVERED WITH A FILM TO KEEP SOLDER OUT.)

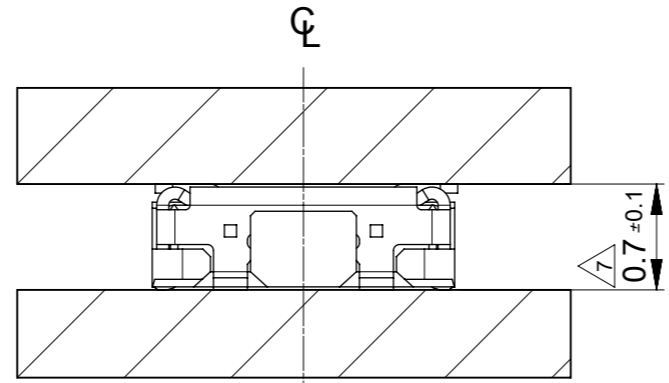


RECOMENDED METAL MASK LAYOUT(REFERENCE)

RECOMMENDED THICKNESS OF METAL MASK : t=0.08MM
 RECOMMENDED OPEN APERTURE RATIO OF METAL MASK : 80%



MATED CONDITION (505066/505070)



MATED CONDITION (505270/505070)

| | | | | | | |
|---|---------|---------------------------|--------------|----------------------------|-----------------|---------------------------------|
| THIS DRAWING CONTAINS INFORMATION THAT IS PROPRIETARY TO MOLEX ELECTRONIC TECHNOLOGIES, LLC AND SHOULD NOT BE USED WITHOUT WRITTEN PERMISSION | | CURRENT REV DESC: REVISED | | molex | | |
| DIMENSION UNITS | SCALE | EC NO: 646121 | | | | 0.35 BB CONN. SSB6 RP PLUG ASSY |
| mm | 20:1 | DRWN: YSEKI01 | | 2019/09/19 | | |
| GENERAL TOLERANCES (UNLESS SPECIFIED) | | CHK'D: STERUKI | | 2020/09/28 | | |
| ANGULAR TOL | ± 1.0 ° | APPR: YNAITO | | 2020/09/28 | | |
| 4 PLACES | ± 0.01 | INITIAL REVISION: | | DOCUMENT NUMBER | | |
| 3 PLACES | ± 0.03 | DRWN: TNISHIDA02 | | 5050701000 | | |
| 2 PLACES | ± 0.05 | APPR: TKUSUHARA01 | | PSD 020 D | | |
| 1 PLACE | ± 0.1 | 2017/03/28 | | DOC TYPE DOC PART REVISION | | |
| 0 PLACES | ± 0.2 | 2017/04/03 | | GENERAL | | |
| DRAFT WHERE APPLICABLE MUST REMAIN WITHIN DIMENSIONS | | THIRD ANGLE PROJECTION | DRAWING | SERIES | MATERIAL NUMBER | CUSTOMER |
| | | | A3-SIZE | 505070 | | GENERAL |
| DOCUMENT STATUS | | P1 | RELEASE DATE | 2020/09/28 | 12:00:55 | SHEET NUMBER |
| | | | | | | 2 OF 2 |

X-ON Electronics

Largest Supplier of Electrical and Electronic Components

Click to view similar products for [Board to Board & Mezzanine Connectors](#) category:

Click to view products by [Molex](#) manufacturer:

Other Similar products are found below :

[589158040000018](#) [MDF7C-18P-2.54DSA\(55\)](#) [FCN-230C068-11](#) [FCN-268F012-G/BD](#) [FCN-268F036-G/BD](#) [FCN-268M012-G/0D](#) [FCN-268M024-G/1D](#) [FCN-723J004/1](#) [MIS-048-01-F-D-DP-K](#) [832-10-034-10-001000](#) [FX4C-80S-1.27DSA](#) [FCN-214Q030-G/0](#) [FCN-234P048-G/0](#) [FCN-235D050-G/C](#) [210-93-314-41-105000](#) [2-22603-0](#) [MDF7-40DP-2.54DSA\(55\)](#) [AXG720047](#) [5031084030](#) [MIT-114-03-F-D-K](#) [55323-1519](#) [DF33-2P-3.3DSA\(24\)](#) [YFT-20-05-H-03-SB-K](#) [503308-3040](#) [026-6203-PDB](#) [027-6203-PDB](#) [069159702701000](#) [10123981-102LF](#) [101A10019X](#) [55650-0588-C](#) [68682-310LF](#) [68684-306](#) [75140-7012](#) [87471-650](#) [194261-1](#) [FCN-268F024-G0D](#) [10124054-515LF](#) [68685-603](#) [8-1616154-3](#) [MIS-019-01-F-D](#) [FCN-268M024-G/3D](#) [FCN-268M036-G/BD](#) [20021832-06016C1LF](#) [KX15-20KLDL-E1000E](#) [MDF7-16DP-2.54DSA\(55\)](#) [AXE810124](#) [FCN-214J100-G/0](#) [FCN-230C068-E/S](#) [AXE812124](#) [AXE816124](#)