

PLEASE CHECK WWW.MOLEX.COM FOR LATEST PART INFORMATION

Part Number: [5050731100](#)
Status: **Active**
Overview: TermiMate One-Circuit Terminal-Style Connector System
Description: TermiMate Crimp Terminal Receptacle, 1.20mm Mated Height

Documents:

3D Model	Application Specification AS-505071-001-001 (PDF)
Drawing (PDF)	Packaging Specification SPK-505073-001-001 (PDF)
3D Model (PDF)	RoHS Certificate of Compliance (PDF)
Product Specification PS-505071-001-001 (PDF)	

General

Product Family	Crimp Terminals
Series	505073
Application	Signal, Wire-to-Board
Comments	See Product Specification for maximum current rating by wire AWG
Crimp Quality Equipment Overview	Yes TermiMate One-Circuit Terminal-Style Connector System
Product Name	TermiMate
UPC	887191571041

Physical

Durability (mating cycles max)	20
Gender	Female
Material - Metal	Copper Alloy
Material - Plating Mating	Tin
Net Weight	54.000/mg
Packaging Type	Reel
Plating min - Mating	0.406µm
Termination Interface: Style	Crimp or Compression
Wire Insulation Diameter	0.9-1.7mm
Wire Size AWG	22, 24, 26
Wire Size mm ²	0.126-0.34

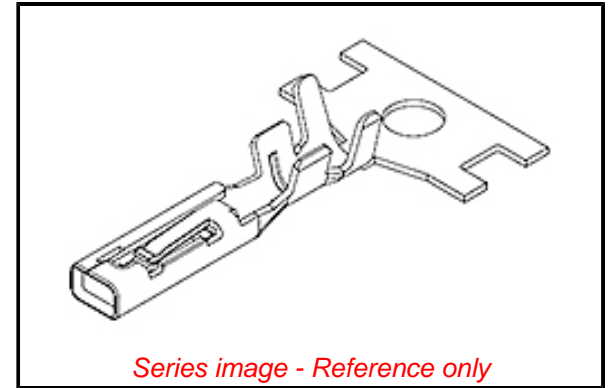
Electrical

Current - Maximum per Contact	3.0A
Voltage - Maximum	125V AC (RMS)/DC

Material Info

Reference - Drawing Numbers

Application Specification	AS-505071-001-001
Application Tooling Documents	IS-0006E-001, IS-0006J-001, IS-0117E-001, IS-0117JE-001, IS-5781406000JE-001, IS-5781406100JE-001
Crimp Specification	CS-505073-001-001
Packaging Specification	SPK-505073-001-001
Product Specification	PS-505071-001-001
Sales Drawing	SD-505073-001-001



EU ELV

Not Relevant

EU RoHS

Compliant

REACH SVHC

Not Contained Per -
D(2021)4569-DC (8
July 2021)

Halogen-Free

Status

Low-Halogen

For more information, please visit [Contact US](#)

China ROHS

ELV

RoHS Phthalates

China RoHS

Green Image

Not Relevant

Not Contained

Search Parts in this Series

[505073 Series](#)

Mates With

TermiMate PCB Plug Terminal [5050710101](#)

Application Tooling | FAQ

Tooling specifications and manuals are found by selecting the products below. Crimp Height Specifications are then contained in the Application Tooling Specification document.

Global

Description

Product #

Unlatching Tool for TermiMate 505071 Plug Terminal for removal of TermiMate 505073 Crimp Terminal Receptacle	638245010
Hand Crimp Tool for TermiMate Crimp Terminal Receptacle, 22-26 AWG Wire	638277500

Hand Crimp Tool for [638277600](#)
TermiMate Crimp
Terminal Receptacle,
22-26 AWG Wire
FineAdjust Applicator [639037200](#)
for TermiMate 1
Circuit Wire-to-Board
Crimp Terminals,
22-26 AWG

Japan

Description	Product #
S-1 Applicator for TermiMate Terminals, 22-26 AWG	5781403700

This document was generated on 01/25/2022

PLEASE CHECK WWW.MOLEX.COM FOR LATEST PART INFORMATION

X-ON Electronics

Largest Supplier of Electrical and Electronic Components

Click to view similar products for [Lighting Connectors](#) category:

Click to view products by [Molex](#) manufacturer:

Other Similar products are found below :

[293300-7](#) [293660-5](#) [CNX_H03_NTP](#) [30-9767-BU](#) [3605](#) [3-21030-1](#) [ZCH-110-RGB-I](#) [503471-0290](#) [ZCH-110-RGB-J](#) [217-0716-200](#)
[1954563-1](#) [1-293657-2](#) [2834036-1](#) [2834037-1](#) [1-2213222-4](#) [2-2213222-4](#) [2213222-4](#) [2834122-3](#) [2834122-5](#) [2834135-2](#) [FLA-R4142-30](#)
[FLA-R4162-30](#) [FLA-R2142-30](#) [FLA-R2162-30](#) [FLA-R2161-30](#) [FLA-R0161-30](#) [FLA-R0141-30](#) [FLA-R0142-30](#) [FLA-R0162-30](#) [FLA-C00-](#)
[00](#) [DGA00010553](#) [CNXV04NTP](#) [104128-0610](#) [503485-0000 \(Cut Strip\)](#) [503485-0000 \(Loose Piece\)](#) [503485-0000 \(MINI Reel\)](#) [1-2834074-2](#)
[1-2834074-3](#) [1357-AC PLUG W2C \(CHINA\)](#) [1357-AC PLUG W2 \(USA\)](#) [104266-0110](#) [CNXV02NTP](#) [2106212-1](#) [2-2834074-2](#) [104266-](#)
[0210](#) [293470-1](#) [293651-2](#) [293651-4](#) [1-2834006-2](#) [293651-1](#)