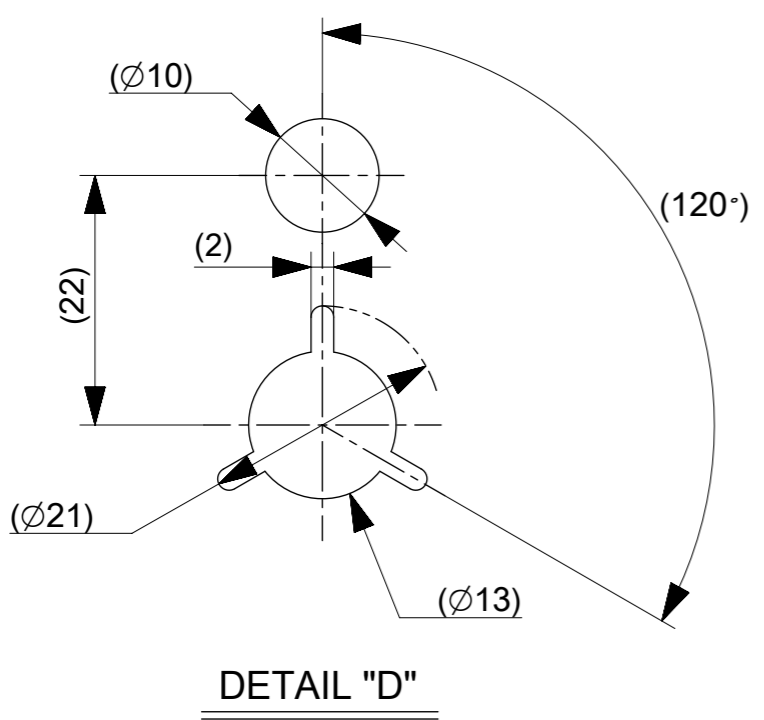
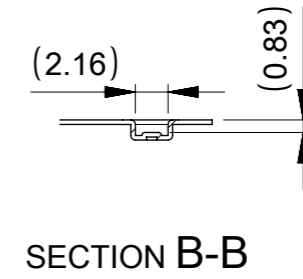
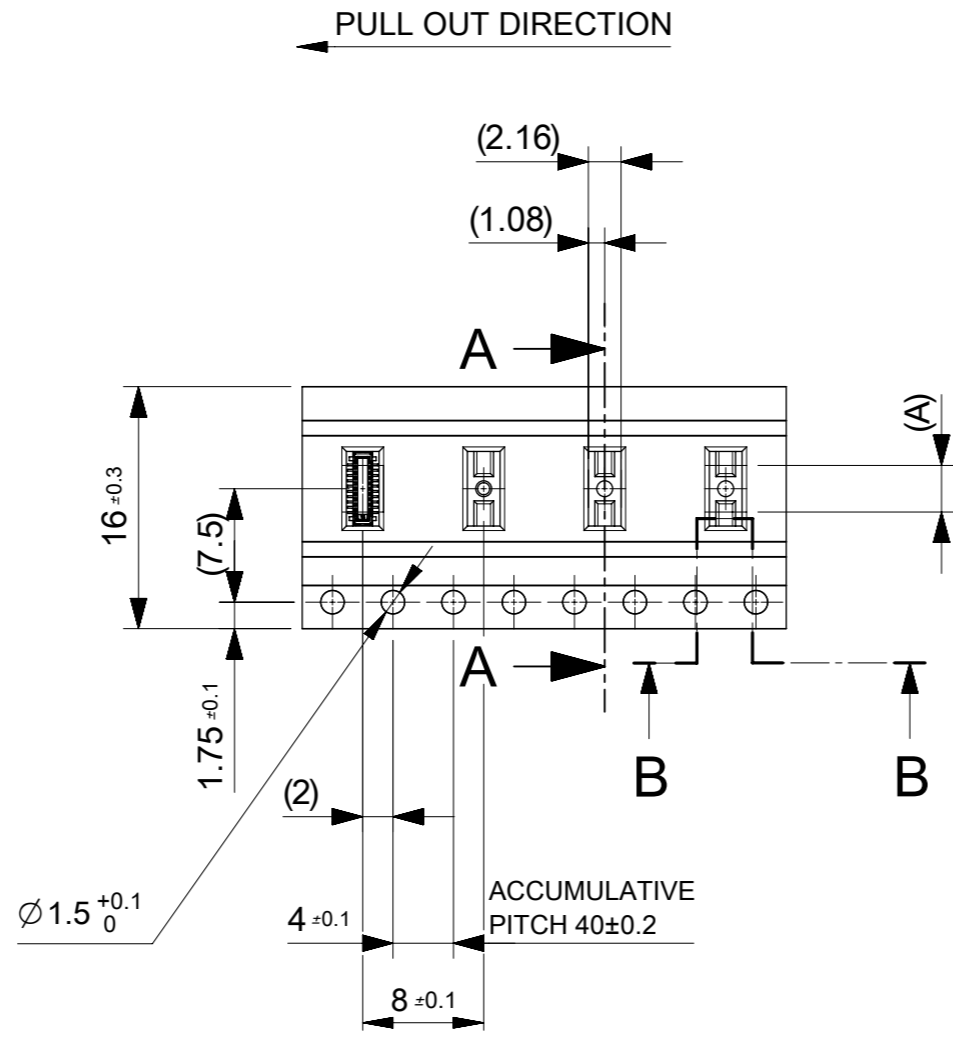
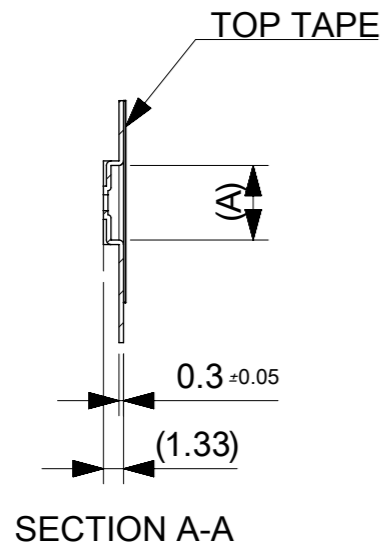


- NOTES**
- FOR DIMENSION OF PRODUCT, REFER TO PRODUCT DRAWING.
 - NUMBER OF CONNECTORS : 7000PCS/REEL
 - LEAD TAPE LENGTH
-
- TOP TAPE PEEL FORCE IS DEFINED BY IEC60286-3.
 - MATERIAL
CARRIER TAPE : POLYSTYRENE
TOP TAPE : PET , OTHER
REEL : POLYSTYRENE (PS) < RECYCLE MATERIAL CONTAINED >



CONNECTOR SERIES NO. 505274**39

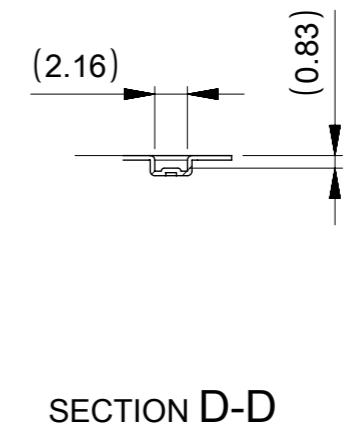
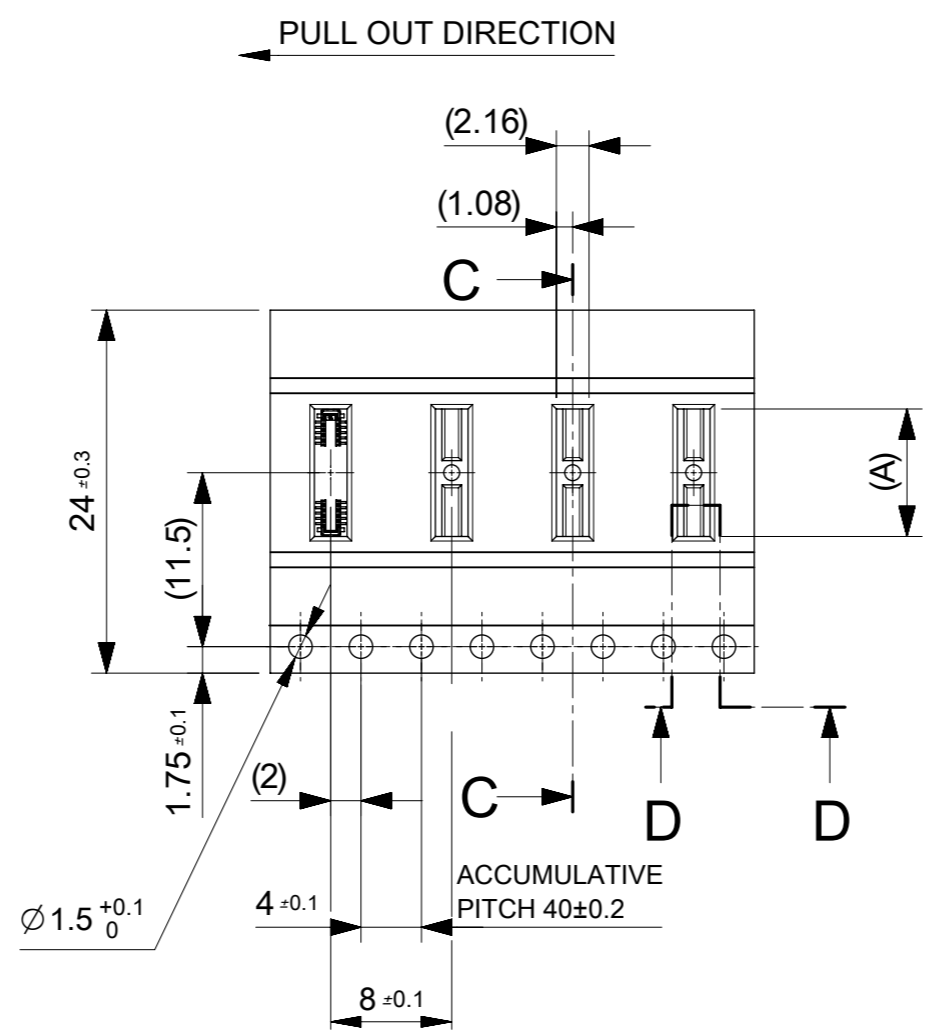
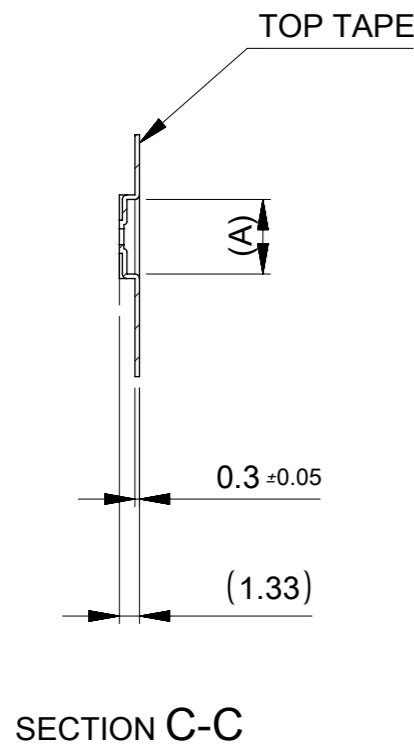
THIS DRAWING CONTAINS INFORMATION THAT IS PROPRIETARY TO MOLEX ELECTRONIC TECHNOLOGIES, LLC AND SHOULD NOT BE USED WITHOUT WRITTEN PERMISSION											
RELEASED	EC NO. 123537	2017/10/23	GENERAL TOLERANCES (UNLESS SPECIFIED)		DIMENSION UNITS	SCALE	molex [®]				
	DRWN: FSATO	2017/11/01	ANGULAR TOL $\pm 3.0^\circ$		mm	NTS					
	CHK'D: MSASAO	2017/11/02	4 PLACES	± 0.03	DRWN BY	DATE	0.35 BB H=0.8 SSB8RP PLUG EMBSTP PKG				
	APPR: MSASAO		3 PLACES	± 0.03	FSATO	2017/10/23					
				2 PLACES	± 0.05	CHK'D BY	DATE	PRODUCT CUSTOMER DRAWING			
			1 PLACE	± 0.1	MSASAO	2017/11/01					
			0 PLACES	± 0.2	APPR BY	DATE	SERIES	MATERIAL NUMBER	CUSTOMER		
			DRAFT WHERE APPLICABLE MUST REMAIN WITHIN DIMENSIONS		MSASAO	2017/11/02	505274	SEE CHART	GENERAL		
					DRAWING SIZE	THIRD ANGLE PROJECTION	DOCUMENT NUMBER		DOC TYPE	DOC PART	SHEET NUMBER
					A3		5052740002-SD		PSD	000	1 OF 3



16	21.4	17.4	6.68	5052743042	○	---	30
			5.63	5052742442	○	---	24
			4.93	5052742042	○	---	20
			4.23	5052741642	○	---	16
			3.18	5052741042	○	---	10
			2.48	5052740642	○	---	6
キャリアテープ幅 CARRIER TAPE WIDTH	C	B	(A)	EMBOSSED TAPE PACKAGE	HIGH VOL. TOOL	LOW VOL. TOOL	CIRCUIT
ORDER NO.	SAMPLE PREPARATION ○:TOOLED △:WOOK IN PROCESS ---:TOOLING TO BE CONFIRMED						

THIS DRAWING CONTAINS INFORMATION THAT IS PROPRIETARY TO MOLEX ELECTRONIC TECHNOLOGIES, LLC AND SHOULD NOT BE USED WITHOUT WRITTEN PERMISSION

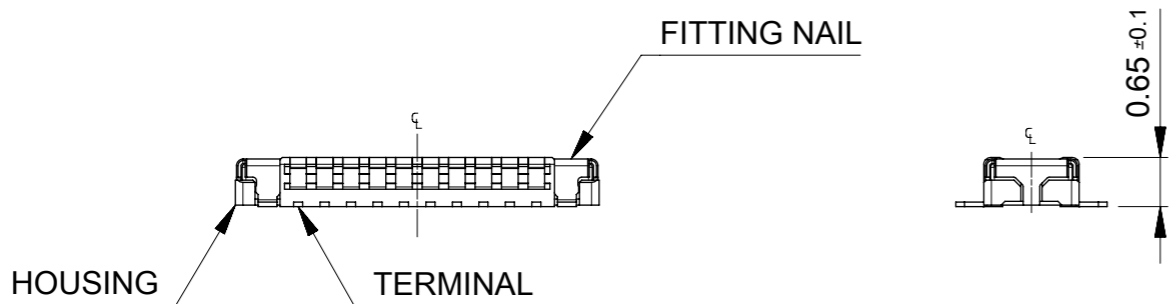
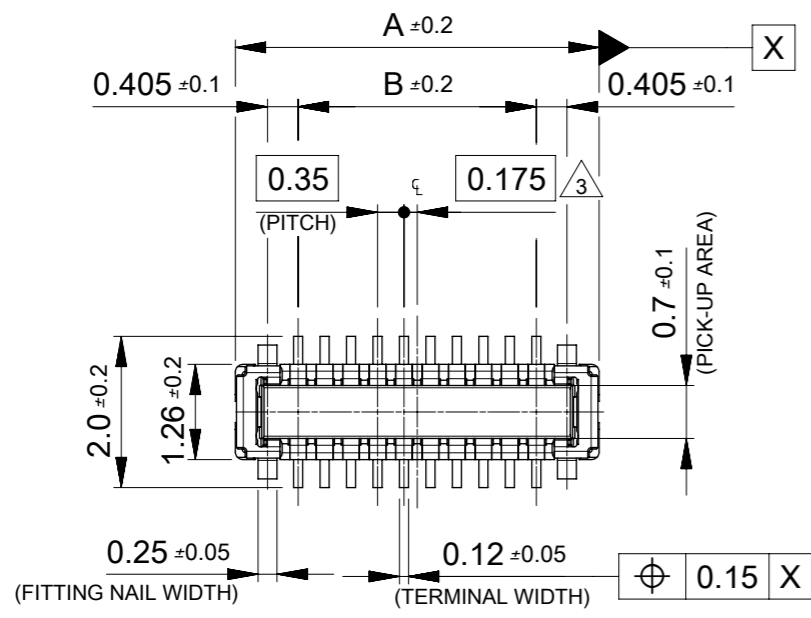
EC NO: 123537 DRWN: FSATO CHK'D: MSASAO APPR: MSASAO 2017/10/23 2017/11/01 2017/11/02 RELEASED	GENERAL TOLERANCES (UNLESS SPECIFIED)		DIMENSION UNITS	SCALE					
	ANGULAR TOL ± 3.0 °		mm	NTS					
	4 PLACES ± 0.03	DATE		DRWN BY	DATE	0.35 BB H=0.8 SSB8RP PLUG EMBSTP PKG			
	3 PLACES ± 0.03	DATE		FSATO	2017/10/23				
	2 PLACES ± 0.05	DATE		CHK'D BY	DATE	PRODUCT CUSTOMER DRAWING			
	1 PLACE ± 0.1	DATE		MSASAO	2017/11/01				
0 PLACES ± 0.2	DATE		APPR BY	DATE	SERIES: 505274 MATERIAL NUMBER: SEE CHART CUSTOMER: GENERAL				
DRAFT WHERE APPLICABLE MUST REMAIN WITHIN DIMENSIONS		DATE		MSASAO					2017/11/02
DRAFT WHERE APPLICABLE MUST REMAIN WITHIN DIMENSIONS		DRAWING SIZE	THIRD ANGLE PROJECTION		DOCUMENT NUMBER: 5052740002-SD DOC TYPE: PSD DOC PART: 000 SHEET NUMBER: 2 OF 3				
DRAFT WHERE APPLICABLE MUST REMAIN WITHIN DIMENSIONS		A3							



24	29.4	25.4	10.88	5052745442	○	---	54
			8.43	5052744042	○	---	40
			7.38	5052743442	○	---	34
キャリアテープ幅 CARRIER TAPE WIDTH	C	B	(A)	EMBOSSED TAPE PACKAGE	HIGH VOL. TOOL	LOW VOL. TOOL	CIRCUIT
ORDER NO.	SAMPLE PREPARATION ○:TOOLED △:WOOK IN PROCESS ---:TOOLING TO BE CONFIRMED						

THIS DRAWING CONTAINS INFORMATION THAT IS PROPRIETARY TO MOLEX ELECTRONIC TECHNOLOGIES, LLC AND SHOULD NOT BE USED WITHOUT WRITTEN PERMISSION

EC NO: 123537 DRWN: FSATO CHK'D: MSASAO APPR: MSASAO REV: A	2017/10/23 2017/11/01 2017/11/02	GENERAL TOLERANCES (UNLESS SPECIFIED) ANGULAR TOL ± 3.0 ° 4 PLACES ± 0.03 3 PLACES ± 0.03 2 PLACES ± 0.05 1 PLACE ± 0.1 0 PLACES ± 0.2	DIMENSION UNITS: mm SCALE: NTS		
	DRWN BY: FSATO DATE: 2017/10/23	CHK'D BY: MSASAO DATE: 2017/11/01	MSASAO DATE: 2017/11/02		PRODUCT CUSTOMER DRAWING
	DRAWING SIZE: A3 THIRD ANGLE PROJECTION	DRAFT WHERE APPLICABLE MUST REMAIN WITHIN DIMENSIONS	SERIES: 505274 MATERIAL NUMBER: SEE CHART CUSTOMER: GENERAL		0.35 BB H=0.8 SSB8RP PLUG EMBSTP PKG
	DOCUMENT NUMBER: 5052740002-SD	DOC TYPE: PSD DOC PART: 000	SHEET NUMBER: 3 OF 3		DIMENSION UNITS: mm SCALE: NTS
	RELEASE STATUS: P1 RELEASE DATE: 02.11.2017 01:50:54	EC NO: 123537 DRWN: FSATO CHK'D: MSASAO APPR: MSASAO REV: A	GENERAL TOLERANCES (UNLESS SPECIFIED) ANGULAR TOL ± 3.0 ° 4 PLACES ± 0.03 3 PLACES ± 0.03 2 PLACES ± 0.05 1 PLACE ± 0.1 0 PLACES ± 0.2		DIMENSION UNITS: mm SCALE: NTS



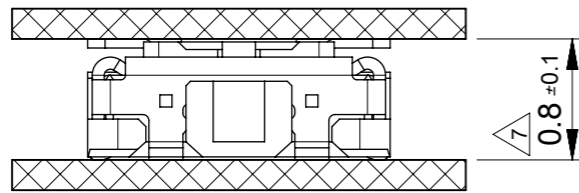
NOTES

1. MATERIAL
HOUSING : LIQUID CRYSTAL POLYMER UL94V-0 (COLOR : BLACK)
TERMINAL : COPPER ALLOY
FITTING NAIL : COPPER ALLOY
2. PLATING
TERMINAL :
GOLD
UNDER PLATING NICKEL
*DIVIDE INTO PARTS THE GOLD PLATING OF CONTACT
FITTING NAIL :
GOLD(ONLY CONTACT AND TAIL PART)
UNDER PLATING NICKEL
*GOLD PLATING WILL BE DIVIDED THE CONTACT FROM THE TAIL PART BY THE NICKEL PLATING. THERE MAY BE SLIGHT DIFFERENCES IN THE OTHER PART COLORING. BUT THERE WILL BE NO INFLUENCE ON THE PRODUCT'S PAERFORMANCE.
3. APPLY FOR (CIRCUIT/2)=EVEN
4. MATE WITH : 505270**12 (H=0.8) , 505413**10 (H=0.9)
5. TAIL AND FITTING NAIL COPLANARITY TO BE 0.08MAXIMUM.
6. PROHIBITED AREA OF PATTERN WIRING AND SOLDER.
(FOR EACH AREA, THE WIRING THAT TOUCHES ON THE SOLDER CAN BE ATTACHED, THEN COVERED WITH A FILM TO KEEP SOLDER OUT.)
7. THIS DIMENSION SHOWS THE DIMENSION BETWEEN SOLDERING SURFACE OF SOLDER TAILS.

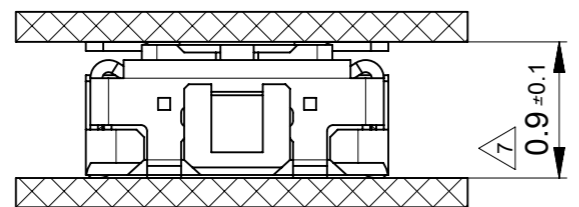
11.96	11.36	9.1	10.76	5052745442	○	---	54
9.51	8.91	6.65	8.31	5052744042	○	---	40
8.46	7.86	5.6	7.26	5052743442	○	---	34
7.76	7.16	4.9	6.56	5052743042	○	---	30
6.71	6.11	3.85	5.51	5052742442	○	---	24
6.01	5.41	3.15	4.81	5052742042	○	---	20
5.31	4.71	2.45	4.11	5052741642	○	---	16
4.26	3.66	1.4	3.06	5052741042	○	---	10
3.56	2.96	0.7	2.36	5052740642	○	---	6
D	C	B	A	EMBOSSED TAPE PACKAGE	MASS PRODUCTION	LOW VOL. TOOL	CIRCUIT
				ORDER No.	SMAPLE PREPARATION ○: TOOLED △: WORK IN PROCESS ---: TOOLING TO BE CONFIRMED		
				CONNECTOR No. : 505274**39			

THIS DRAWING CONTAINS INFORMATION THAT IS PROPRIETARY TO MOLEX ELECTRONIC TECHNOLOGIES, LLC AND SHOULD NOT BE USED WITHOUT WRITTEN PERMISSION

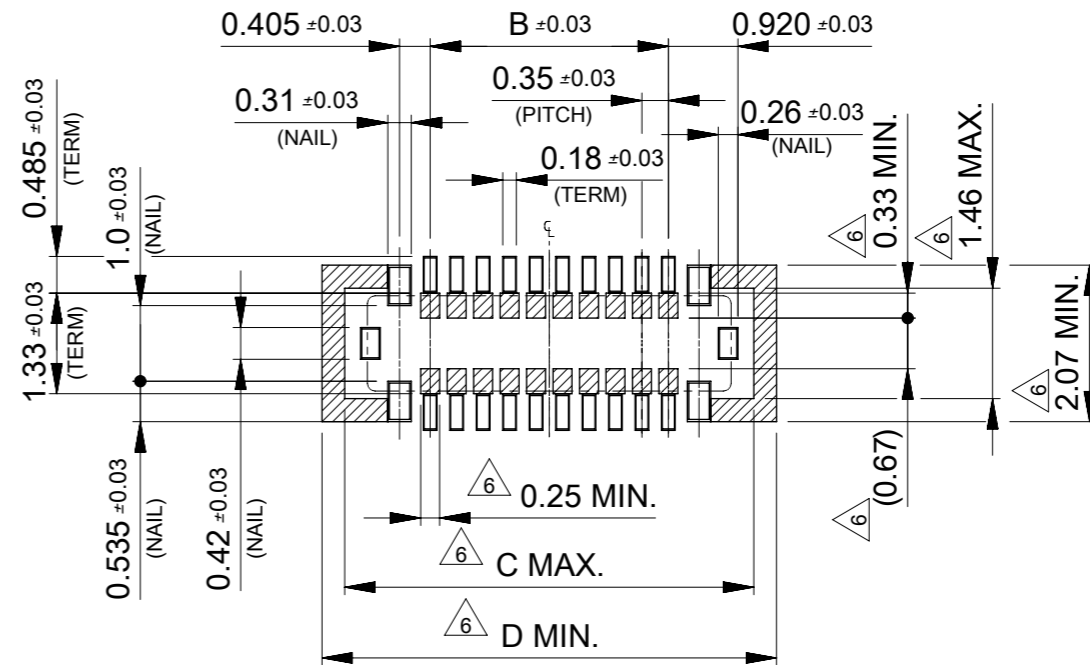
DIMENSION UNITS	SCALE	CURRENT REV DESC: RELEASED		molex			
mm	10:1						
GENERAL TOLERANCES (UNLESS SPECIFIED)				0.35 BB CONN. H=0.8 SSB8RP PLUG ASSY			
ANGULAR TOL	± 3.0 °	EC NO: 646122		PRODUCT CUSTOMER DRAWING			
4 PLACES	± 0.03	DRWN: YSEKI01 2019/09/12		DOCUMENT NUMBER			
3 PLACES	± 0.03	CHK'D: STERUKI 2020/09/28		5052741002-SD			
2 PLACES	± 0.05	APPR: YNAITO 2020/09/28		DOC TYPE DOC PART REVISION			
1 PLACE	± 0.1	INITIAL REVISION:		PSD 000 B			
0 PLACES	± 0.2	DRWN: FSATO 2017/10/23		MATERIAL NUMBER			
		APPR: MSASAO 2017/11/02		CUSTOMER			
DRAFT WHERE APPLICABLE MUST REMAIN WITHIN DIMENSIONS		THIRD ANGLE PROJECTION	DRAWING	SERIES	MATERIAL NUMBER	CUSTOMER	SHEET NUMBER
			A3-SIZE	505274	SEE CHART	GENERAL	1 OF 2



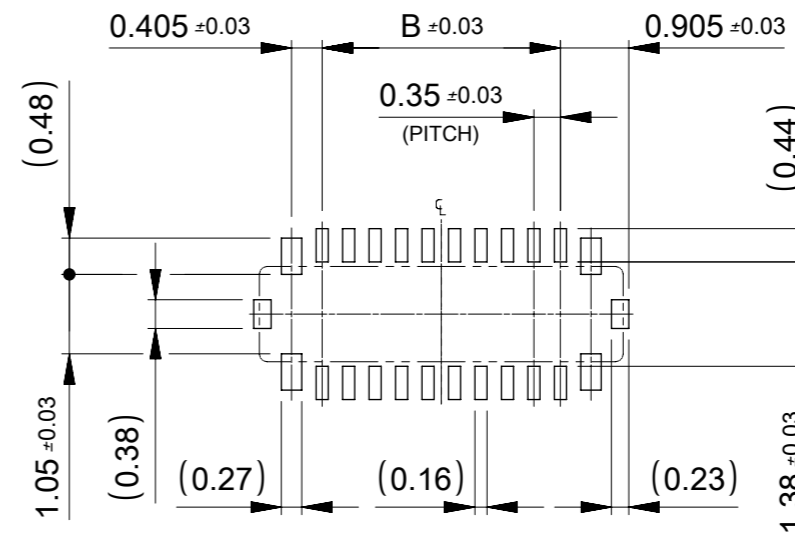
MATED CONDITION (505270/505274)



MATED CONDITION (505413/505274)



RECOMMENDED P.W.BOARD PATTERN LAYOUT (REFERENCE)



RECOMMENDED METAL MASK LAYOUT (REFERENCE)

RECOMMENDED THICKNESS OF METAL MASK : t=0.08mm
 RECOMMENDED OPEN APERTURE RATIO OF METAL MASK : 80%

THIS DRAWING CONTAINS INFORMATION THAT IS PROPRIETARY TO MOLEX ELECTRONIC TECHNOLOGIES, LLC AND SHOULD NOT BE USED WITHOUT WRITTEN PERMISSION											
DIMENSION UNITS		SCALE		CURRENT REV DESC: RELEASED						molex	
mm		10:1									
GENERAL TOLERANCES (UNLESS SPECIFIED)										0.35 BB CONN. H=0.8 SSB8RP PLUG ASSY	
ANGULAR TOL ± 3.0°				EC NO: 646122						PRODUCT CUSTOMER DRAWING	
4 PLACES ± 0.03				DRWN: YSEKI01 2019/09/12						DOCUMENT NUMBER	
3 PLACES ± 0.03				CHK'D: STERUKI 2020/09/28						5052741002-SD	
2 PLACES ± 0.05				APPR: YNAITO 2020/09/28						PSD 000 B	
1 PLACE ± 0.1				INITIAL REVISION:						DOC TYPE	
0 PLACES ± 0.2				DRWN: FSATO 2017/10/23						DOC PART	
DRAFT WHERE APPLICABLE MUST REMAIN WITHIN DIMENSIONS				THIRD ANGLE PROJECTION		DRAWING		SERIES		REVISION	
				A3-SIZE		505274		MATERIAL NUMBER		SHEET NUMBER	
				SEE SHEET 1		GENERAL		CUSTOMER		2 OF 2	

X-ON Electronics

Largest Supplier of Electrical and Electronic Components

Click to view similar products for [Board to Board & Mezzanine Connectors](#) category:

Click to view products by [Molex](#) manufacturer:

Other Similar products are found below :

[589158040000018](#) [FCN-230C068-11](#) [FCN-268F012-G/BD](#) [FCN-268F036-G/BD](#) [FCN-268M012-G/0D](#) [FCN-268M024-G/1D](#) [FCN-723J004/1](#) [MIS-048-01-F-D-DP-K](#) [832-10-034-10-001000](#) [FX4C-80S-1.27DSA](#) [FCN-214Q030-G/0](#) [FCN-234P048-G/0](#) [FCN-235D050-G/C](#) [2-22603-0](#) [AXG720047](#) [5031084030](#) [MIT-114-03-F-D-K](#) [55323-1519](#) [YFT-20-05-H-03-SB-K](#) [503308-3040](#) [026-6203-PDB](#) [027-6203-PDB](#) [069159702701000](#) [10123981-102LF](#) [101A10019X](#) [55650-0588-C](#) [68682-310LF](#) [68684-306](#) [75140-7012](#) [87471-650](#) [YTW-30-07-H-Q-410-140](#) [194261-1](#) [FCN-268F024-G0D](#) [10124054-515LF](#) [68685-603](#) [8-1616154-3](#) [MIS-019-01-F-D](#) [FCN-268M024-G/3D](#) [FCN-268M036-G/BD](#) [20021832-06016C1LF](#) [KX15-20KLDL-E1000E](#) [AXE810124](#) [FCN-214J100-G/0](#) [FCN-230C068-E/S](#) [AXE812124](#) [AXE816124](#) [AXE720127](#) [354184](#) [MIT-019-04-F-D-K](#) [P50-028-DDS-TG](#)