

PLEASE CHECK WWW.MOLEX.COM FOR LATEST PART INFORMATION

Part Number: [0506370028](#)
Status: **Active**
Description: 2.00mm Pitch Crimp Terminal, Female, Reel, Lead Free

Documents:

[3D Model](#) [Product Specification PS-58719-006-001 \(PDF\)](#)
[Drawing \(PDF\)](#) [RoHS Certificate of Compliance \(PDF\)](#)
[3D Model \(PDF\)](#)

General

Product Family Crimp Terminals
 Series [50637](#)
 Application Power, Wire-to-Board
 Crimp Quality Equipment Yes
 Packaging Alternative [506370128 \(Loose\)](#)
 Product Name N/A
 UPC 822348143429

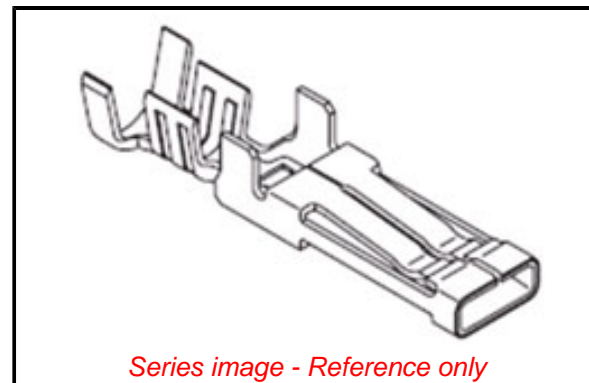
Physical

Gender Female
 Material - Metal Copper
 Material - Plating Mating Gold
 Material - Plating Termination Tin
 Net Weight 608.741/mg
 Packaging Type Reel
 Plating min - Mating 0.102µm
 Plating min - Termination 1.016µm
 Termination Interface: Style Crimp or Compression
 Wire Insulation Diameter 3.20-3.80mm
 Wire Size AWG 14, 16, 18
 Wire Size mm² N/A

Material Info

Reference - Drawing Numbers

Product Specification PS-58719-006-001
 Sales Drawing SD-50637-001-001



EU ELV

Not Relevant

EU RoHS

Compliant

REACH SVHC

Not Contained Per -
 D(2021)4569-DC (8
 July 2021)

Halogen-Free

Status

Low-Halogen

For more information, please visit [Contact US](#)

China ROHS

ELV

RoHS Phthalates

China RoHS

Green Image

Not Relevant

Not Contained

Search Parts in this Series

[50637 Series](#)

Mates With

[50638 Male Crimp Terminal](#)

Application Tooling | FAQ

Tooling specifications and manuals are found by selecting the products below. Crimp Height Specifications are then contained in the Application Tooling Specification document.

Global

Description	Product #
Extraction Tool for RCM Connector System	638133501
Hand Crimp Tool for 2.00mm Pitch Female Crimp Terminals	638231400
T2 Terminator Die	638526100
FineAdjust Applicator	638626100

Japan

Description	Product #
-------------	-----------

Applicator for M211A 573553000
Bench Press, 14-18
AWG Wire

This document was generated on 12/21/2021

PLEASE CHECK WWW.MOLEX.COM FOR LATEST PART INFORMATION

X-ON Electronics

Largest Supplier of Electrical and Electronic Components

Click to view similar products for [Headers & Wire Housings](#) category:

Click to view products by [Molex](#) manufacturer:

Other Similar products are found below :

[892-18-020-10-001101](#) [58102-G61-06LF](#) [582553-1](#) [0009485154](#) [009176003701906](#) [0050291907](#) [LY20-4P-DT1-P1E-BR](#) [02.125.8002.8](#)
[609-3404](#) [61062-3](#) [622-0430](#) [622-3653LF](#) [63453-116](#) [636-1030](#) [636-1427](#) [636-3427](#) [636-4007](#) [641938-9](#) [641991-4](#) [644827-2](#) [65817-010LF](#)
[65817-015LF](#) [65863-015LF](#) [66207-023LF](#) [67095-007LF](#) [67601157](#) [68648-049](#) [70.362.1628.0](#) [70-4210](#) [70-4226B](#) [70-4853B](#) [707-5020](#) [707-5028](#) [71.350.2428.0](#) [71918-208LF](#) [71961-016LF](#) [733-134](#) [733-162](#) [754199-000](#) [760-3052](#) [787-8014-00](#) [79531-3000](#) [FCN-360C032-B](#) [FCN-367T-T012/H](#) [FCN-723D010/2](#) [80.063.4001.1](#) [800-90-001-10-001000](#) [800-90-010-10-002000](#) [801-43-002-10-013000](#) [801-43-006-10-002000](#)