

PLEASE CHECK WWW.MOLEX.COM FOR LATEST PART INFORMATION

Part Number: **51052-1000**
Status: **Active**
Description: 2.50mm Pitch Cable Holder, Vertical, for Ribbon Cable, 10 Circuits

Documents:

[3D Model](#)
[Drawing \(PDF\)](#)
[Product Specification PS-51052-001 \(PDF\)](#)
[Product Specification PS-51052-002 \(PDF\)](#)
[RoHS Certificate of Compliance \(PDF\)](#)

General

Product Family: Ribbon Cable / Wire Trap Connectors
 Series: 51052
 Component Type: One Piece
 Glow-Wire Compliant: No
 Product Name: Board-In, Cable Holder
 UPC: 800753574533

Physical

Circuits (Loaded): 10
 Color - Resin: Natural
 Entry Angle: Vertical
 Lock to Mating Part: None
 Material - Plating Mating: N/A
 Material - Resin: Nylon
 Net Weight: 336.000/mg
 Number of Rows: 1
 PCB Retention: Yes
 PCB Thickness - Recommended: 1.60mm
 Packaging Type: Bag
 Pitch - Mating Interface: 2.50mm
 Pitch - Termination Interface: 2.50mm
 Polarized to Mating Part: N/A
 Polarized to PCB: No
 Stackable: No
 Surface Mount Compatible (SMC): No
 Temperature Range - Operating: -40°C to +105°C
 Wire Insulation Diameter: 1.70mm max.
 Wire Size AWG: 24, 26
 Wire/Cable Type: Ribbon Cable

Electrical

Current - Maximum per Contact: N/A
 Voltage - Maximum: N/A

Material Info

Reference - Drawing Numbers

Product Specification: PS-51052-001, PS-51052-002, RPS-51052-003
 Sales Drawing: SD-51052-**00, SD-51052-001

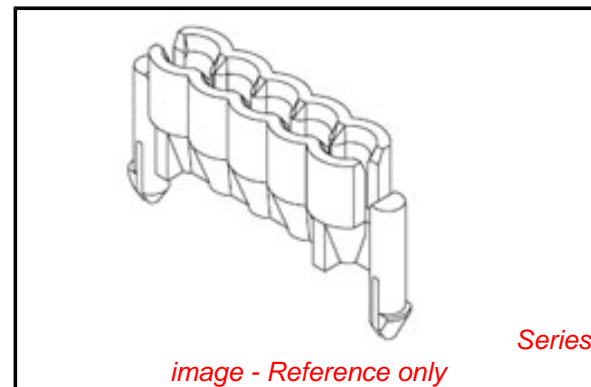


image - Reference only

EU RoHS

**ELV and RoHS
Compliant**

REACH SVHC

**Contains SVHC: No
Low-Halogen Status
Low-Halogen**

China RoHS



**Need more information on product
environmental compliance?**

Email productcompliance@molex.com
 For a multiple part number RoHS Certificate of Compliance, [click here](#)

Please visit the [Contact Us](#) section for any non-product compliance questions.

Search Parts in this Series

51052Series

Mates With

N/A

Use With

Topcoated Ribbon Cable

X-ON Electronics

Largest Supplier of Electrical and Electronic Components

Click to view similar products for [Headers & Wire Housings](#) category:

Click to view products by [Molex](#) manufacturer:

Other Similar products are found below :

[892-18-020-10-001101](#) [58102-G61-06LF](#) [582553-1](#) [0009485154](#) [009176003701906](#) [0050291907](#) [LY20-4P-DT1-P1E-BR](#) [02.125.8002.8](#)
[609-3404](#) [61062-3](#) [61082-181009](#) [622-3653LF](#) [63453-116](#) [636-1030](#) [636-1427](#) [636-3427](#) [636-4007](#) [641938-9](#) [641991-4](#) [644827-2](#) [65817-](#)
[010LF](#) [65817-015LF](#) [65863-015LF](#) [66207-023LF](#) [67095-007LF](#) [67601157](#) [68648-049](#) [70.362.1628.0](#) [70-4210](#) [70-4226B](#) [70-4853B](#) [707-](#)
[5020](#) [707-5028](#) [71.350.2428.0](#) [71918-208LF](#) [71961-016LF](#) [733-134](#) [733-162](#) [754199-000](#) [760-3052](#) [787-8014-00](#) [79531-3000](#) [FCN-](#)
[360C032-B](#) [FCN-367T-T012/H](#) [FCN-723D010/2](#) [80.063.4001.1](#) [800-90-001-10-001000](#) [800-90-010-10-002000](#) [801-43-002-10-013000](#)
[801-43-006-10-002000](#)