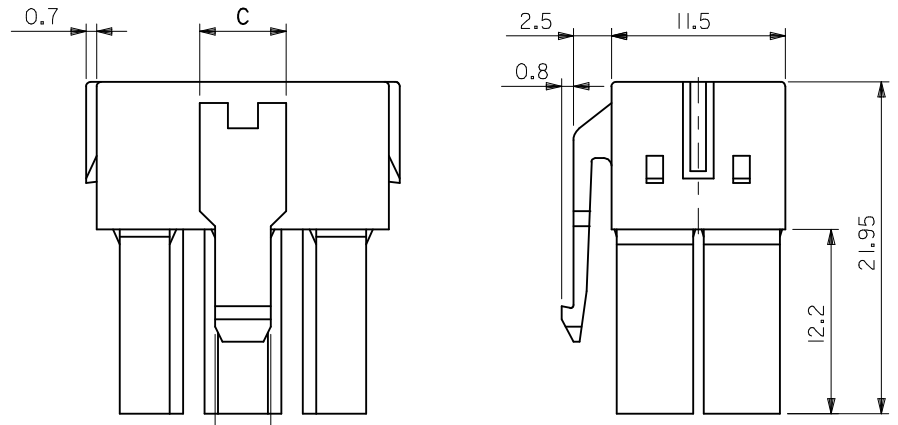


ターミナル及びリテーナー装着状態図
TERMINAL & RETAINER ASSEMBLY DRAWING

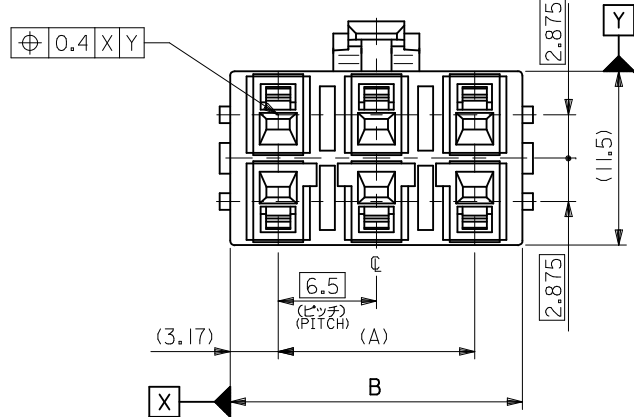
ロック形状図
LOCK CONFIGURATION



注記
NOTES

- 適合ターミナル : 50597, 50598
APPLICABLE TERMINAL : 50597 , 50598
- 適合リテーナー : 51143
APPLICABLE RETAINER : 51143
- 嵌合相手 : 53721,53728 シリーズ
MATE WITH : 53721,53728 SERIES
- MATERIAL
ポリエステル(PBT), UL94V-0
POLYESTER(PBT), UL94V-0
- ELV AND RoHS COMPLIANT.
- オーダー番号 ORDER NO.
51142-****
極数 色
CIRCUIT SIZE COLOR
7.ナチュラル色は51142-**00です。
NATURAL COLOR IS 51142-**00.

HSG COLOR	NO.
BLACK	11
RED	12
YELLOW	13
BLUE	14
GRAY	15
GREEN	16
ORANGE	18
PINK	19
BROWN	21
PURPLE	22
MINT	23



5.7	19.34	13	51142-06**	6
3.7	12.84	6.5	51142-04**	4
5.7	6.34	—	51142-02**	2
C	B	A	ENG. NO.	極数 CKT.

REVISED	DESCRIPTION	GENERAL TOLERANCES (UNLESS SPECIFIED)		DIMENSION STYLE		SCALE	DESIGN UNITS		TITLE
		10 UNDER	±0.2	MM ONLY	---	METRIC	THIRD ANGLE PROJECTION		
EC NO: J2014-0511	2013/09/19	10 OVER	±0.25	DRAWN BY	DATE	6.5 WIRE TO BOARD CONN. RECEPTACLE HOUSING			SHEET NO. 1 OF 1
DRWN:MIKEDA01	2013/10/07	30 OVER	±0.3	TKON	2010/07/27				
CHKD:KASAKAWA	2013/10/07	ANGULAR	±1 °	CHECKED BY	DATE				
APPR:NUKITA	2013/10/08	DRAFT WHERE APPLICABLE MUST REMAIN WITHIN DIMENSIONS		KASAKAWA	2010/07/27				
				APPROVED BY	DATE	SEE TABLE	SD-51142-001		
				NUKITA	2010/08/30				
				MATERIAL NO.	DOCUMENT NO.	THIS DRAWING CONTAINS INFORMATION THAT IS PROPRIETARY TO MOLEX INCORPORATED AND SHOULD NOT BE USED WITHOUT WRITTEN PERMISSION			
				SIZE					
				A3					

X-ON Electronics

Largest Supplier of Electrical and Electronic Components

Click to view similar products for [Power to the Board](#) category:

Click to view products by [Molex](#) manufacturer:

Other Similar products are found below :

[6450171-4](#) [6450552-7](#) [6600323-8](#) [6643429-1](#) [6646040-2](#) [6651939-1](#) [6766604-1](#) [120959-1](#) [1393557-2](#) [1393532-2](#) [1393532-3](#) [1393532-4](#)
[1393557-1](#) [1600812-5](#) [1-6450861-2](#) [1744132-7](#) [1761122-1](#) [1766250-1](#) [1892109-1](#) [2-6450860-5](#) [2-6450870-0](#) [1-6450161-4](#) [1-6450850-6](#) [1-6450869-6](#) [1645526-2](#) [1-6600130-0](#) [2005243-2](#) [377-0020-11130](#) [TE34-12-16P-F0](#) [5-6450830-6](#) [5646956-4](#) [377-0080-11131A](#) [4-6450830-9](#)
[4-6600333-3](#) [10125416-4050LF](#) [6600320-3](#) [3-6450860-5](#) [1888123-2](#) [6450166-1](#) [6643978-1](#) [6766605-1](#) [701-15-02109](#) [N11444](#) [6651938-1](#)
[6450810-7](#) [46437-1112](#) [1-1589677-8](#) [5646956-5](#) [6450813-2](#) [6450129-4](#)