

PLEASE CHECK WWW.MOLEX.COM FOR LATEST PART INFORMATION

Part Number: [0051252012](#)
Status: **Active**
Overview: LFH™ Interconnect System
Description: 1.27mm Pitch LFH™ Matrix 50 Receptacle Cable Kit, Terminal Stick, 15 Circuits

Documents:

[3D Model](#) [Product Specification PS-70928 \(PDF\)](#)
[Drawing \(PDF\)](#) [RoHS Certificate of Compliance \(PDF\)](#)

General

Product Family I/O Connectors
Series 70985
Application Wire-to-Board
Comments Trim Length 5.46mm
Component Type Receptacle
Overview LFH™ Interconnect System
Product Name LFH™
Type N/A
UPC 800754387644

Physical

Circuits (Loaded) 15
Circuits (maximum) 15
Lock to Mating Part None
Material - Metal Beryllium Copper
Material - Plating Mating Gold
Material - Plating Termination Tin
Net Weight 0.860/g
Orientation Vertical
PCB Retention N/A
Packaging Type Tray
Panel Mount No
Pitch - Mating Interface 1.27mm
Pitch - Termination Interface 1.27mm
Plating min - Mating 0.762µm
Plating min - Termination 2.540µm
Polarized to Mating Part Yes
Surface Mount Compatible (SMC) N/A
Temperature Range - Operating -20°C to +80°C
Termination Interface: Style Surface Mount
Wire Size AWG 28, 30, 32, 34, 36

Electrical

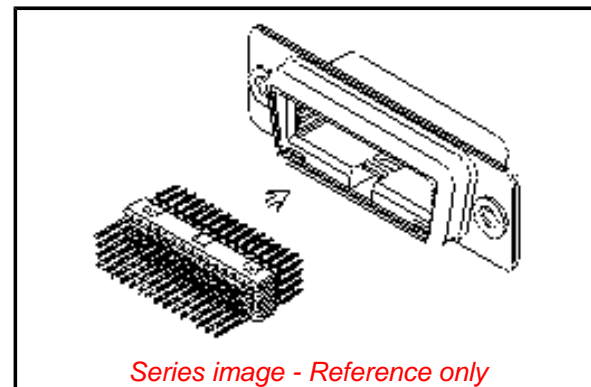
Current - Maximum per Contact 1.0A
Shielded Yes
Voltage - Maximum 40V

Material Info

Engineering Number 709851002

Reference - Drawing Numbers

Product Specification PS-70928, RPS-70928-002
Sales Drawing SDA-70985-100*



Series image - Reference only

EU ELV

Not Relevant

EU RoHS

Compliant

REACH SVHC

Not Contained Per -
ED/21/2016 (20 June
2016)

Halogen-Free

Status

Low-Halogen

**Need more information on product
environmental compliance?**

Email productcompliance@molex.com
Please visit the [Contact Us](#) section for any
non-product compliance questions.

China ROHS
ELV

Green Image
Not Relevant

Search Parts in this Series

70985 Series

Mates With

70929

Application Tooling | FAQ

*Tooling specifications and manuals are
found by selecting the products below.
Crimp Height Specifications are then
contained in the Application Tooling
Specification document.*

Global

Description

Product #

Terminal Stick
Insertion Tool For
LFH™ Series 71691
and 70985

[0622001600](#)

PLEASE CHECK WWW.MOLEX.COM FOR LATEST PART INFORMATION

X-ON Electronics

Largest Supplier of Electrical and Electronic Components

Click to view similar products for [I/O Connectors](#) category:

Click to view products by [Molex](#) manufacturer:

Other Similar products are found below :

[571763P](#) [58098-0628](#) [72.250.1628.2](#) [72.250.2428.2](#) [74720-0505](#) [76.350.0729.0](#) [76871-1403](#) [FCN-244F080-G/1](#) [FCN-260A9920](#) [PCR-E36PM](#) [PCS-XE26MA+](#) [G38A71314B](#) [1571250010](#) [157-22500-3](#) [MS3471L14-19P L/C](#) [192991-0703](#) [172501-4002](#) [172501-6002](#) [FCN-260C008-A/L0](#) [FCN-260C024-AL0](#) [FCN-261Z008](#) [2000314-1](#) [200331-1](#) [PCR-E36FC+](#) [PCS-E28FS+](#) [PCS-XE26SLFD+](#) [PCS-XE26SLFDT+](#) [G730VID08BDC24](#) [UE86K842720321](#) [38113800006](#) [DP3AR020WQ1R200](#) [Z4.102.0680.0](#) [500-1040](#) [500-1052](#) [500-1054](#) [ZP-4008-66L](#) [0709821002](#) [DX40-20P\(55\)](#) [5554841-1](#) [MS3474W18-8P-LC*](#) [U90B3054061110](#) [U65-E04-4020](#) [ZPF000000000097891](#) [747360449](#) [10099439-003C-TRLF](#) [10137239-0021LF](#) [E9320-001-01](#) [10137239-0011LF](#) [70289-001LF](#) [70.060.1028.0](#)