

**PLEASE CHECK WWW.MOLEX.COM FOR LATEST PART INFORMATION**

**Part Number:** [0513480213](#)  
**Status:** **Active**  
**Description:** 3.30mm Pitch Wire-to-Wire Terminal Position Assurance (TPA) Retainer, 2 Circuits

**Documents:**

[3D Model](#) [Product Specification PS-51347-001-001 \(PDF\)](#)  
[Drawing \(PDF\)](#) [RoHS Certificate of Compliance \(PDF\)](#)  
[Product Specification PS-501328-001-001 \(PDF\)](#)

**General**

Product Family	Accessories
Series	<a href="#">51348</a>
Component Type	Terminal Position Assurance
Product Name	TPA - Term Pos Assurance
UPC	756054809525

**Physical**

Circuits (Loaded)	2
Color - Resin	Yellow
Material - Resin	Nylon
Net Weight	137.800/mg
Number of Rows	1
Packaging Type	Bag
Temperature Range - Operating	-25°C to +85°C

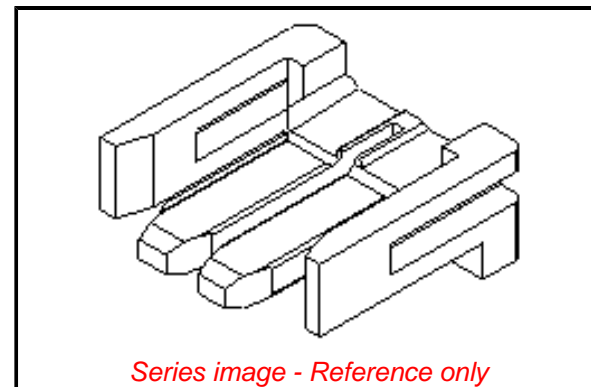
**Electrical**

Current - Maximum per Contact	4.0A
-------------------------------	------

**Material Info**

**Reference - Drawing Numbers**

Product Specification	PS-501328-001-001, PS-51347-001-001
Sales Drawing	SD-51348-002



**EU ELV**

**Not Relevant**

**EU RoHS**

**Compliant**

**REACH SVHC**

Not Contained Per -  
ED/21/2016 (20 June  
2016)

**Halogen-Free**

**Status**

**Not Low-Halogen**

**Need more information on product  
environmental compliance?**

Email [productcompliance@molex.com](mailto:productcompliance@molex.com)  
Please visit the [Contact Us](#) section for any  
non-product compliance questions.

China ROHS

ELV

RoHS Phthalates

Green Image

Not Relevant

Not Contained

**Search Parts in this Series**

[51348 Series](#)

**Use With**

51347 , 51346 , 501328 , 501329

## X-ON Electronics

Largest Supplier of Electrical and Electronic Components

*Click to view similar products for [Headers & Wire Housings](#) category:*

*Click to view products by [Molex](#) manufacturer:*

Other Similar products are found below :

[892-18-020-10-001101](#) [58102-G61-06LF](#) [582553-1](#) [0009485154](#) [009176003701906](#) [0050291907](#) [LY20-4P-DT1-P1E-BR](#) [02.125.8002.8](#)  
[609-3404](#) [61062-3](#) [622-0430](#) [622-3653LF](#) [63453-116](#) [636-1030](#) [636-1427](#) [636-3427](#) [636-4007](#) [641938-9](#) [641991-4](#) [644827-2](#) [65817-010LF](#)  
[65817-015LF](#) [65863-015LF](#) [66207-023LF](#) [67095-007LF](#) [67601157](#) [68648-049](#) [70.362.1628.0](#) [70-4210](#) [70-4226B](#) [70-4853B](#) [707-5020](#) [707-5028](#) [71.350.2428.0](#) [71918-208LF](#) [71961-016LF](#) [733-134](#) [733-162](#) [754199-000](#) [760-3052](#) [787-8014-00](#) [79531-3000](#) [FCN-360C032-B](#) [FCN-367T-T012/H](#) [FCN-723D010/2](#) [80.063.4001.1](#) [800-90-001-10-001000](#) [800-90-010-10-002000](#) [801-43-002-10-013000](#) [801-43-006-10-002000](#)