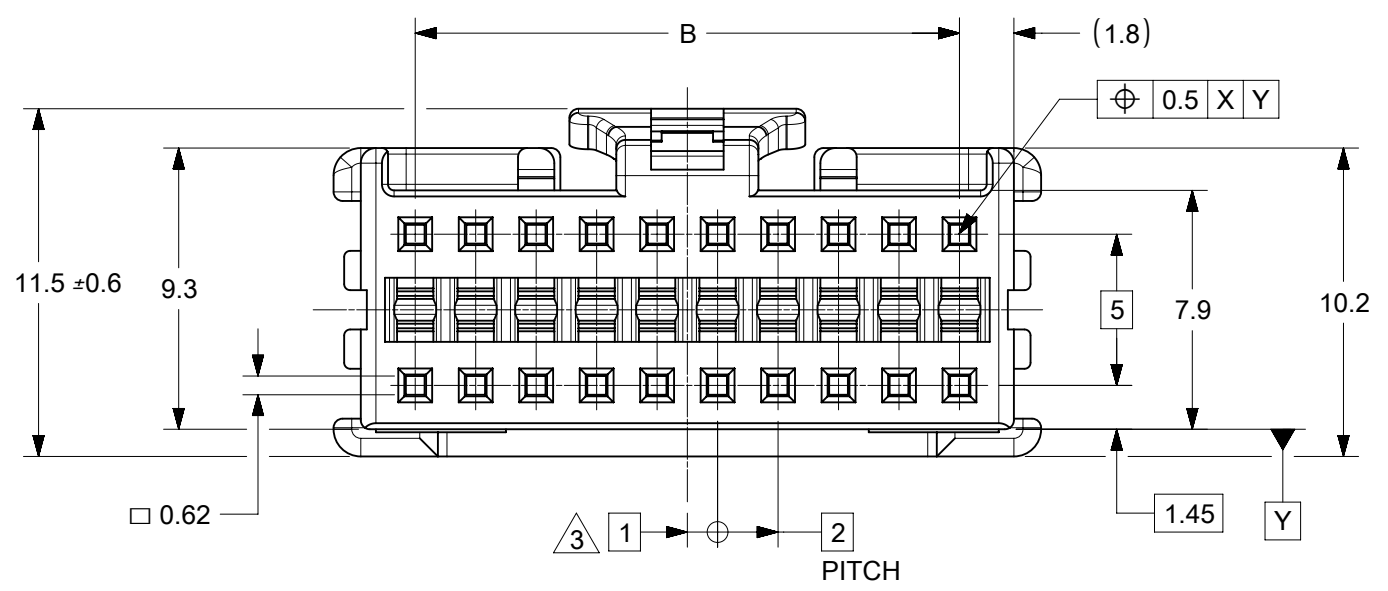
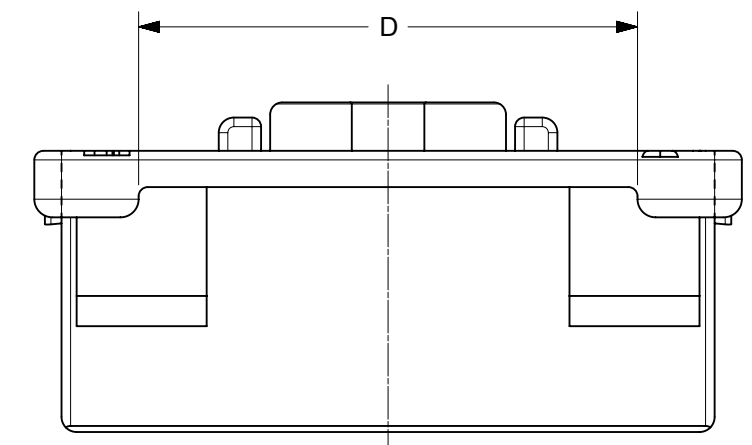
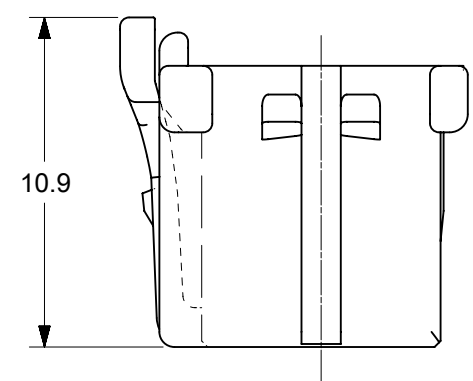
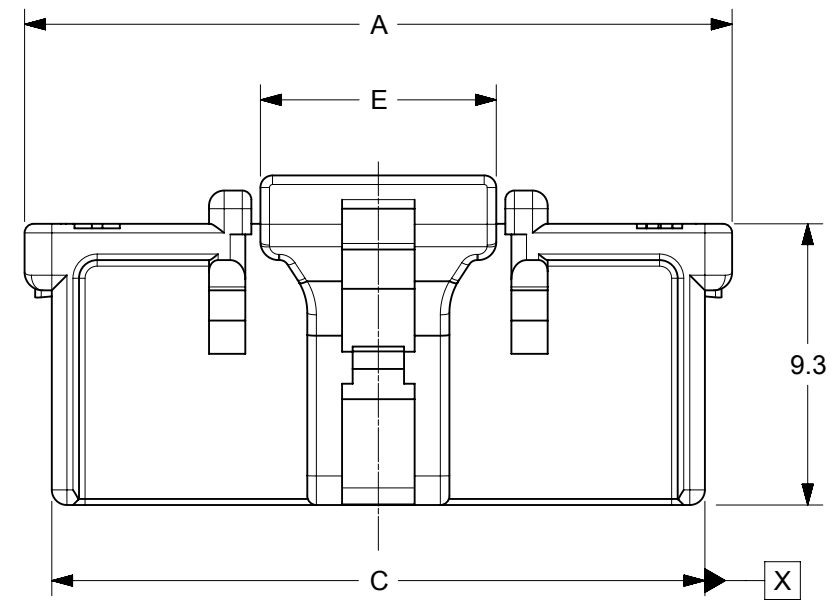


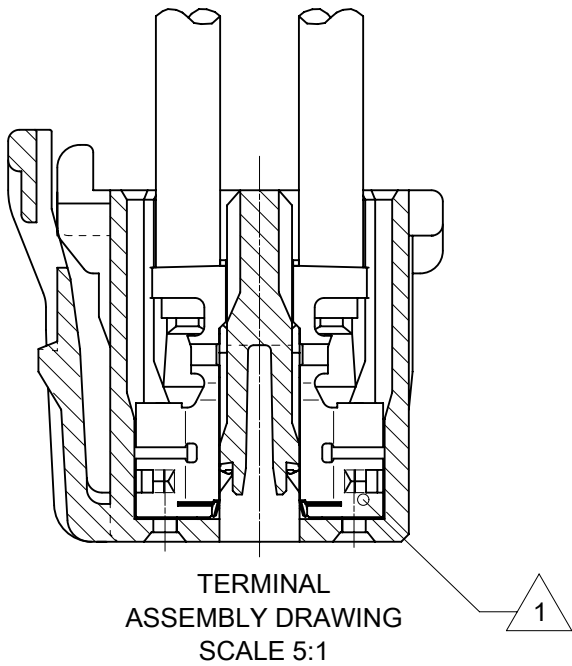
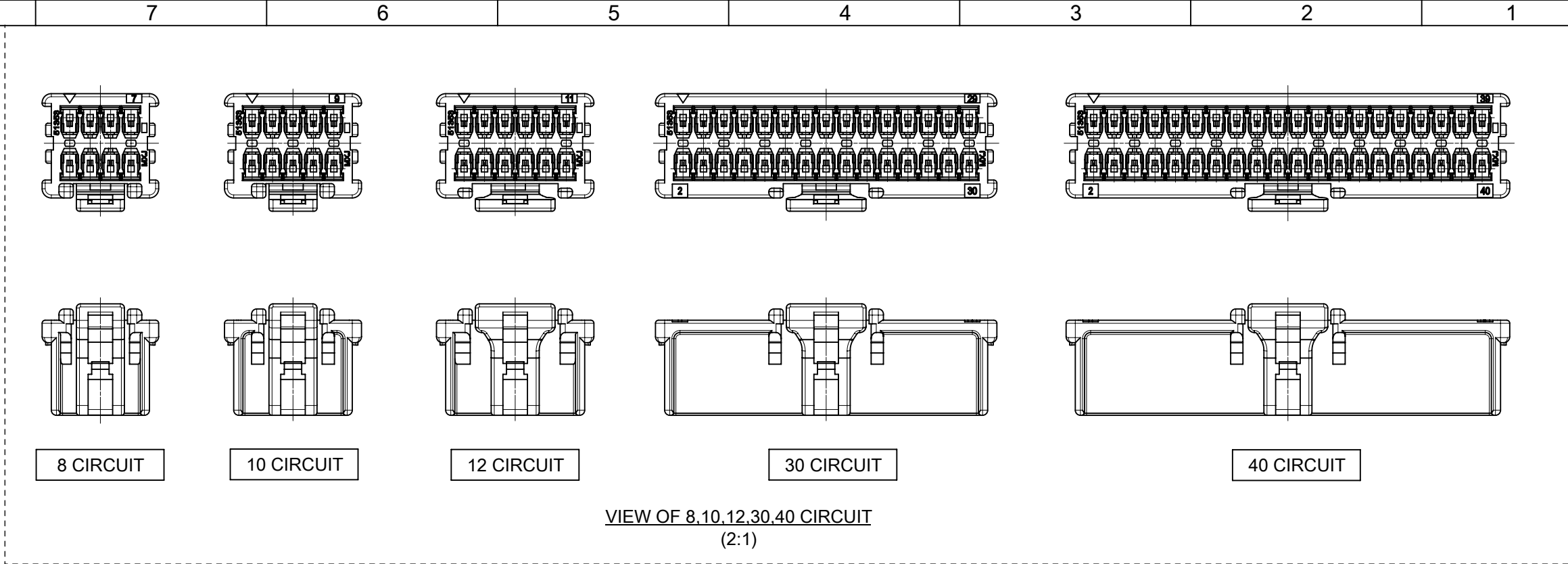
NOTES :  
 1. APPLICABLE TERMINAL : SERIES 56134, 59370  
 2. MATE WITH : SERIES 55917, 55959  
 3. APPLY FOR (CIRCUIT/2)=EVEN  
 4. MATERIAL NO. **51353-\*\*0\***

NATURAL(WHITE)	0
BLACK	1
RED	2
YELLOW	3
BLUE	4
PINK	5
GREEN	6
BROWN	7
ORANGE	8
VIOLET	9

5. LOCK SIDE CKT.NO. DIDN'T INDICATED 8~14CKT, INDICATE 16~40CKT.  
 6. MATERIAL : 66 NYLON, UL94V-0



SYMBOLS	THIS DRAWING CONTAINS INFORMATION THAT IS PROPRIETARY TO MOLEX ELECTRONIC TECHNOLOGIES, LLC AND SHOULD NOT BE USED WITHOUT WRITTEN PERMISSION				
	DIMENSION UNITS	SCALE			
▽ = 0	mm	NTS	EC NO: 632022		
▽ = 0	GENERAL TOLERANCES (UNLESS SPECIFIED)		DRWN: SS06	2020/01/13	MICROCLASP 2.0 W-B CONN. DUAL ROW RCPT HSG
▽ = 0	ANGULAR TOL ± 3.0°		CHK'D: SS06	2020/02/13	
▽ = 0	4 PLACES ±		APPR: ISHWARG	2020/02/14	PRODUCT CUSTOMER DRAWING
▽ = 0	3 PLACES ±		INITIAL REVISION:		
▽ = 0	2 PLACES ± 0.2		DRWN: N.ITO	'01/12/17	DOCUMENT NUMBER
▽ = 0	1 PLACE ± 0.2		APPR: T.YAMAGUCHI	'02/10/22	SD-51353-002
▽ = 0	0 PLACES ± 0.2		THIRD ANGLE PROJECTION		DOC TYPE
▽ = 0	DRAFT WHERE APPLICABLE MUST REMAIN WITHIN DIMENSIONS		DRAWING	SERIES	DOC PART
▽ = 0			B-SIZE	51353	REVISION
			SEE CHART	GENERAL MARKET	1 OF 2



40	51353-400*	43.4	38	41.6	36.5	7.8
38	51353-380*	41.4	36	39.6	34.5	7.8
36	51353-360*	39.4	34	37.6	32.5	7.8
34	51353-340*	37.4	32	35.6	30.5	7.8
32	51353-320*	35.4	30	33.6	28.5	7.8
30	51353-300*	33.4	28	31.6	26.5	7.8
28	51353-280*	31.4	26	29.6	24.5	7.8
26	51353-260*	29.4	24	27.6	22.5	7.8
24	51353-240*	27.4	22	25.6	20.5	7.8
22	51353-220*	25.4	20	23.6	18.5	7.8
20	51353-200*	23.4	18	21.6	16.5	7.8
18	51353-180*	21.4	16	19.6	14.5	7.8
16	51353-160*	19.4	14	17.6	12.5	7.8
14	51353-140*	17.4	12	15.6	10.5	7.8
12	51353-120*	15.4	10	13.6	8.5	7.8
10	51353-100*	13.4	8	11.6	6.5	4.7
8	51353-080*	11.4	6	9.6	4.5	4.7
CKT.	△ MATERIAL NO.	A	B	C	D	E

SYMBOLS	THIS DRAWING CONTAINS INFORMATION THAT IS PROPRIETARY TO MOLEX ELECTRONIC TECHNOLOGIES, LLC AND SHOULD NOT BE USED WITHOUT WRITTEN PERMISSION		<p style="text-align: center;"><b>molex</b></p> <p style="text-align: center;">MICROCLASP 2.0 W-B CONN. DUAL ROW RCPT HSG</p>			
	DIMENSION UNITS	SCALE				DOCUMENT NUMBER
▽ = 0	mm	NTS	SD-51353-002	PSD	001	D
▽ = 0	GENERAL TOLERANCES (UNLESS SPECIFIED)		PRODUCT CUSTOMER DRAWING			
▽ = 0	ANGULAR TOL ± 3.0°		CURRENT REV DESC: REMASTERED IN ECTR			
▽ = 0	4 PLACES ±		EC NO: 632022			
▽ = 0	3 PLACES ±		DRWN: SS06 2020/01/13			
▽ = 0	2 PLACES ± 0.2		CHK'D: SS06 2020/02/13			
▽ = 0	1 PLACE ± 0.2		APPR: ISHWARG 2020/02/14			
▽ = 0	0 PLACES ± 0.2		INITIAL REVISION:			
▽ = 0	DRAFT WHERE APPLICABLE MUST REMAIN WITHIN DIMENSIONS		DRWN: N.ITO '01/12/17			
▽ = 0	THIRD ANGLE PROJECTION		APPR: T.YAMAGUCHI '02/10/22			
		DRAWING	SERIES	MATERIAL NUMBER	CUSTOMER	SHEET NUMBER
		B-SIZE	51353	SEE CHART	GENERAL MARKET	2 OF 2

## X-ON Electronics

Largest Supplier of Electrical and Electronic Components

*Click to view similar products for [Headers & Wire Housings](#) category:*

*Click to view products by [Molex](#) manufacturer:*

Other Similar products are found below :

[892-18-020-10-001101](#) [58102-G61-06LF](#) [582553-1](#) [0009485154](#) [009176003701906](#) [0050291907](#) [LY20-4P-DT1-P1E-BR](#) [02.125.8002.8](#)  
[609-3404](#) [61062-3](#) [622-0430](#) [622-3653LF](#) [63453-116](#) [636-1030](#) [636-1427](#) [636-3427](#) [636-4007](#) [641938-9](#) [641991-4](#) [644827-2](#) [65817-010LF](#)  
[65817-015LF](#) [65863-015LF](#) [66207-023LF](#) [67095-007LF](#) [67601157](#) [68648-049](#) [70.362.1628.0](#) [70-4210](#) [70-4226B](#) [70-4853B](#) [707-5020](#) [707-5028](#) [71.350.2428.0](#) [71918-208LF](#) [71961-016LF](#) [733-134](#) [733-162](#) [754199-000](#) [760-3052](#) [787-8014-00](#) [79531-3000](#) [FCN-360C032-B](#) [FCN-367T-T012/H](#) [FCN-723D010/2](#) [80.063.4001.1](#) [800-90-001-10-001000](#) [800-90-010-10-002000](#) [801-43-002-10-013000](#) [801-43-006-10-002000](#)