

NOTES

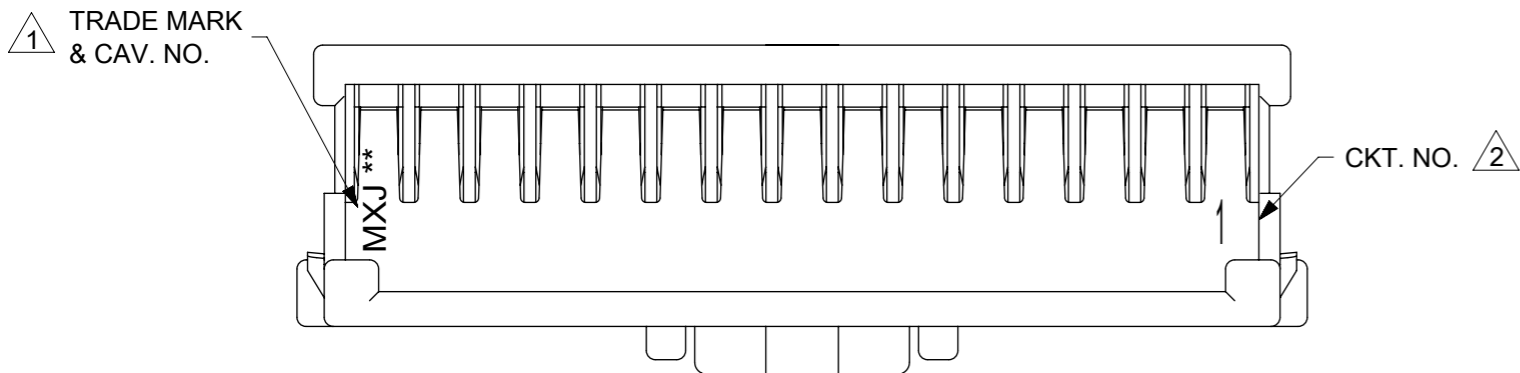
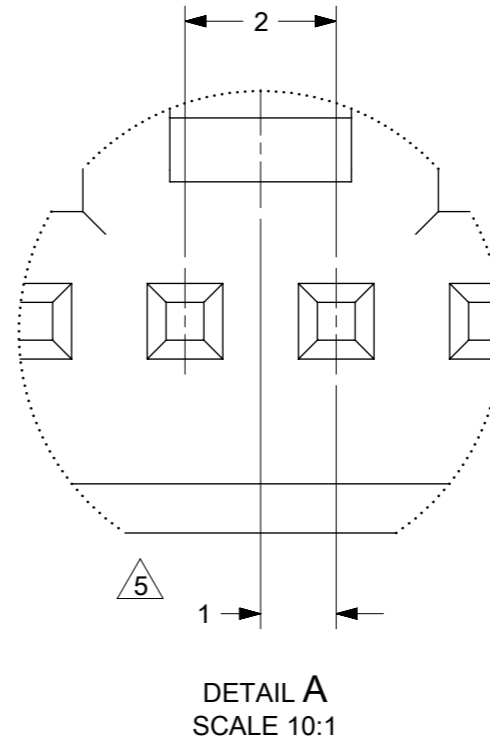
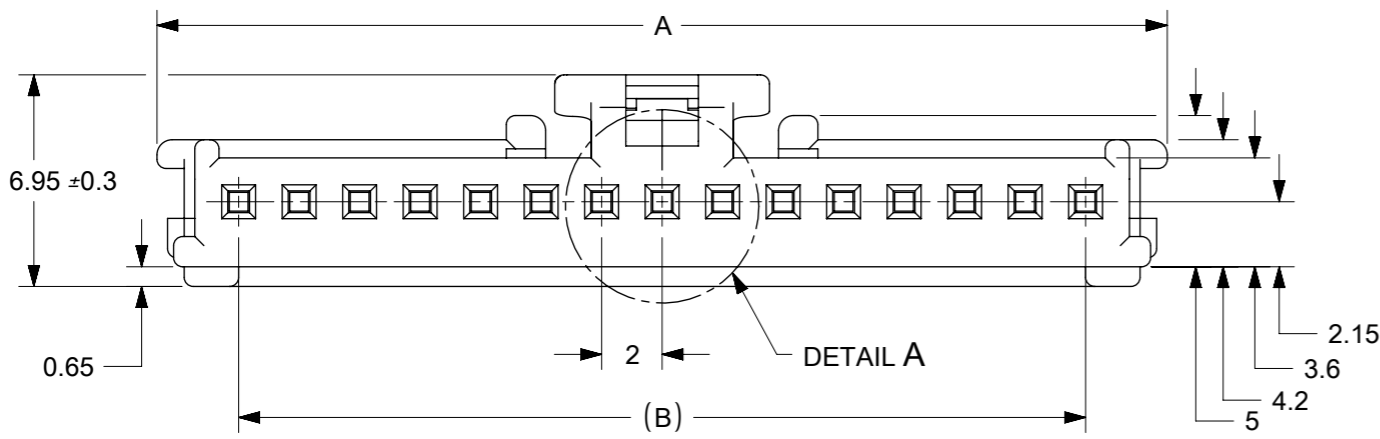
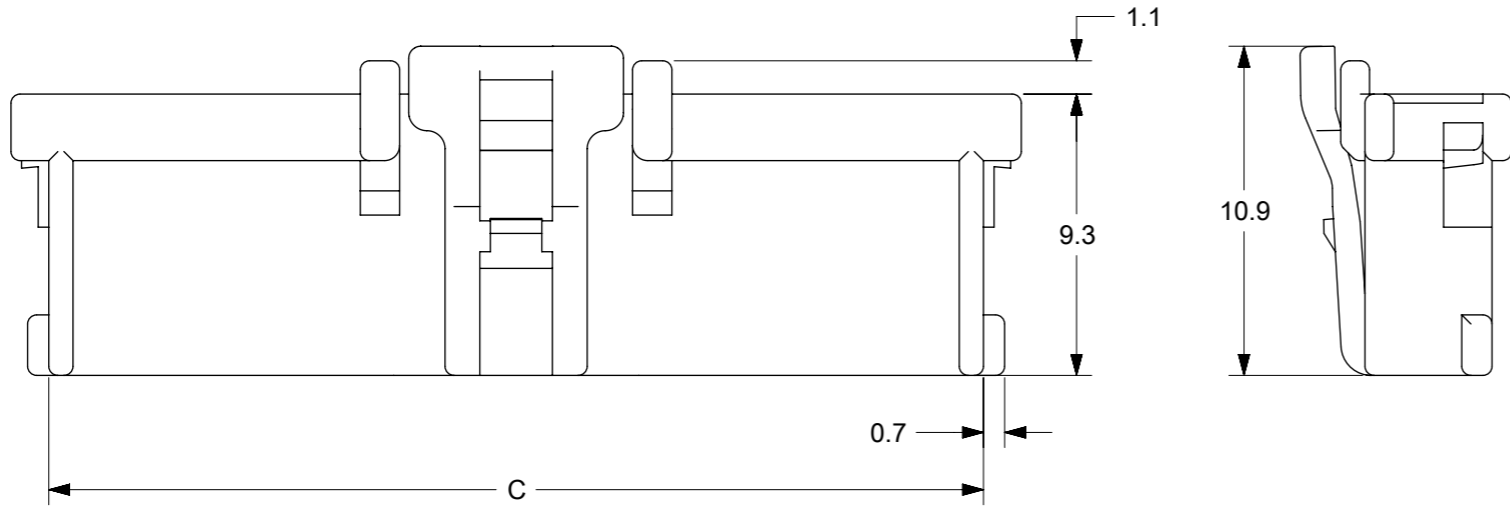
- ① SIZE OF LETTERS 0.7 AND CLEAR.
- ② SIZE OF LETTERS 1 AND CLEAR
- 3. APPLICABLE TERM. : 59370,56134 SERIES.
- ④ MATE WITH : 55932,55935 SERIES.
- 5 APPLY EVEN CIRCUIT
- 6. MATERIAL : 66NYLON, UL94V-0
- 7. MATERIAL NO.

5138- X X X X

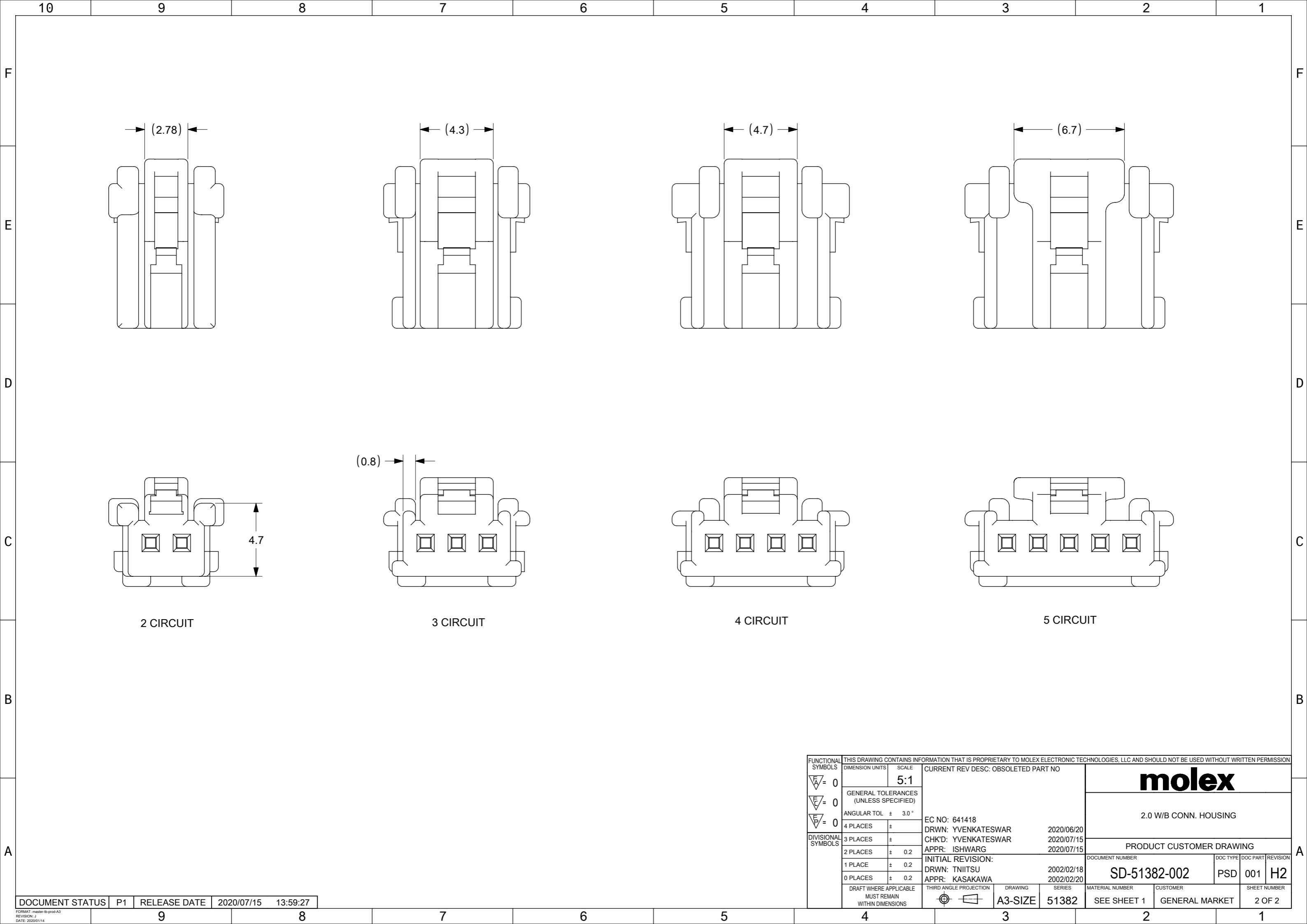
CKT COLOR

NATURAL (WHITE)	00
BLACK	01
RED	02
YELLOW	03
BLUE	04
PINK	05
GREEN	06
BROWN	07
ORANGE	08
VIOLET	09
GRAY	11
FLUORESCENCE YELLOW	13
PALE BLUE	14
① H2 YELLOWISH GREEN VO	16

CKT	MATERIAL NO.	A	B	C
2	51382-02XX	7.4	2	4.6
3	51382-03XX	9.4	4	6.9
4	51382-04XX	11.4	6	8.9
5	51382-05XX	13.4	8	10.9
6	51382-06XX	15.4	10	12.9
7	51382-07XX	17.4	12	14.9
8	51382-08XX	19.4	14	16.9
9	51382-09XX	21.4	16	18.9
10	51382-10XX	23.4	18	20.9
11	51382-11XX	25.4	20	22.9
12	51382-12XX	27.4	22	24.9
13	51382-13XX	29.4	24	26.9
14	51382-14XX	31.4	26	28.9
15	51382-15XX	33.4	28	30.9



FUNCTIONAL SYMBOLS $\nabla_A = 0$ $\nabla_B = 0$ $\nabla_C = 0$	THIS DRAWING CONTAINS INFORMATION THAT IS PROPRIETARY TO MOLEX ELECTRONIC TECHNOLOGIES, LLC AND SHOULD NOT BE USED WITHOUT WRITTEN PERMISSION	SCALE 4:1	CURRENT REV DESC: OBSOLETE PART NO				
	GENERAL TOLERANCES (UNLESS SPECIFIED)	EC NO: 641418					
	ANGULAR TOL ± 3.0°	DRWN: YVENKATESWAR 2020/06/20					
	DIVISIONAL SYMBOLS	4 PLACES ±	DRWN: YVENKATESWAR 2020/07/15	2.0 W/B CONN. HOUSING			
	3 PLACES ±	APPR: ISHWARG 2020/07/15	PRODUCT CUSTOMER DRAWING				
	2 PLACES ± 0.2	INITIAL REVISION:	DOCUMENT NUMBER				
	1 PLACE ± 0.2	DRWN: TNIITSU 2002/02/18	SD-51382-002				
	0 PLACES ± 0.2	APPR: KASAKAWA 2002/02/20	DOC TYPE DOC PART REVISION				
	DRAFT WHERE APPLICABLE MUST REMAIN WITHIN DIMENSIONS	THIRD ANGLE PROJECTION	DRAWING	SERIES	MATERIAL NUMBER	CUSTOMER	SHEET NUMBER
			A3-SIZE	51382	SEE TABLE	GENERAL MARKET	1 OF 2



DOCUMENT STATUS	P1	RELEASE DATE	2020/07/15	13:59:27
-----------------	----	--------------	------------	----------

FUNCTIONAL SYMBOLS	THIS DRAWING CONTAINS INFORMATION THAT IS PROPRIETARY TO MOLEX ELECTRONIC TECHNOLOGIES, LLC AND SHOULD NOT BE USED WITHOUT WRITTEN PERMISSION	CURRENT REV DESC: OBSOLETE PART NO		molex	
	DIMENSION UNITS	SCALE	2.0 W/B CONN. HOUSING		
$\nabla_A = 0$	GENERAL TOLERANCES (UNLESS SPECIFIED)	5:1	EC NO: 641418		PRODUCT CUSTOMER DRAWING
$\nabla_B = 0$	ANGULAR TOL $\pm 3.0^\circ$		DRWN: YVENKATESWAR	2020/06/20	
$\nabla_C = 0$	4 PLACES \pm		CHK'D: YVENKATESWAR	2020/07/15	DOCUMENT NUMBER
DIVISIONAL SYMBOLS	3 PLACES \pm		APPR: ISHWARG	2020/07/15	
	2 PLACES ± 0.2		INITIAL REVISION:		DOC TYPE
	1 PLACE ± 0.2		DRWN: TNIITSU	2002/02/18	DOC PART
	0 PLACES ± 0.2		APPR: KASAKAWA	2002/02/20	REVISION
	DRAFT WHERE APPLICABLE MUST REMAIN WITHIN DIMENSIONS	THIRD ANGLE PROJECTION	DRAWING	SERIES	MATERIAL NUMBER
			A3-SIZE	51382	CUSTOMER
					SEE SHEET 1
					GENERAL MARKET
					SHEET NUMBER
					2 OF 2

X-ON Electronics

Largest Supplier of Electrical and Electronic Components

Click to view similar products for [Headers & Wire Housings](#) category:

Click to view products by [Molex](#) manufacturer:

Other Similar products are found below :

[892-18-020-10-001101](#) [58102-G61-06LF](#) [582553-1](#) [0009485154](#) [009176003701906](#) [0050291907](#) [LY20-4P-DT1-P1E-BR](#) [02.125.8002.8](#)
[609-3404](#) [61062-3](#) [622-0430](#) [622-3653LF](#) [63453-116](#) [636-1030](#) [636-1427](#) [636-3427](#) [636-4007](#) [641938-9](#) [641991-4](#) [644827-2](#) [65817-010LF](#)
[65817-015LF](#) [65863-015LF](#) [66207-023LF](#) [67095-007LF](#) [67601157](#) [68648-049](#) [70.362.1628.0](#) [70-4210](#) [70-4226B](#) [70-4853B](#) [707-5020](#) [707-5028](#) [71.350.2428.0](#) [71918-208LF](#) [71961-016LF](#) [733-134](#) [733-162](#) [754199-000](#) [760-3052](#) [787-8014-00](#) [79531-3000](#) [FCN-360C032-B](#) [FCN-367T-T012/H](#) [FCN-723D010/2](#) [80.063.4001.1](#) [800-90-001-10-001000](#) [800-90-010-10-002000](#) [801-43-002-10-013000](#) [801-43-006-10-002000](#)