

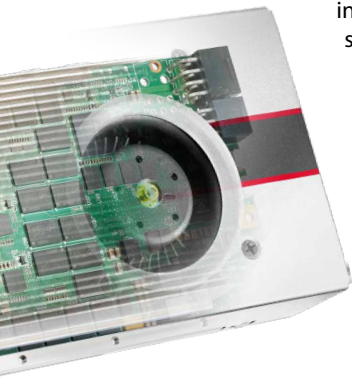


Stratix 10 FPGA Board with 4x 100G

Introducing ground-breaking single precision floating point performance of up to 10 TFLOPS, the 520N is a PCIe board featuring an Intel Stratix 10 FPGA, along with four banks of DDR4 external memory.

Four network ports enable dramatic FPGA-to-FPGA scaling independent of the PCIe bus, plus support for an array of serial I/O protocols operating up to 10/25/40/100GbE.

Both traditional HDL and higher abstraction C, C++ and OpenCL-based tool flows are supported. Deliverables include an optimized board support package (BSP) for the Intel OpenCL SDK.



Tool Flow Flexibility for Software- or Hardware-Based Development



- OpenCL support for software-orientated customers
- Abstraction for faster development
- Push-button flow for FPGA executable, driver, and API
- Add optimized HDL IP cores to OpenCL designs as libraries



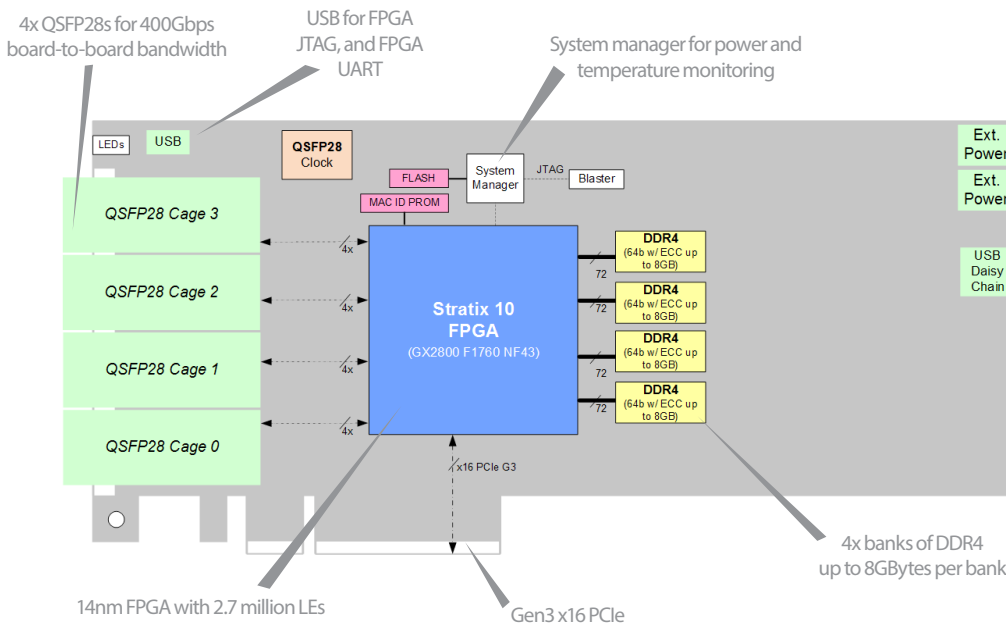
- Traditional VHDL/Verilog support for hardware-orientated customers
- Hand-code for ultimate performance
- High-Level Synthesis (HLS) available for rapid development
- FPGA card designed to support standard Intel IP cores for Stratix 10

key features

Intel Stratix 10
GX 2800

4x QSFP28s
for 400Gbps

OpenCL
BSP



Key Applications

Designed to address a range of compute-intensive and latency-critical applications:

- Machine learning
- Gene sequencing
- Oil and Gas
- Video transcoding

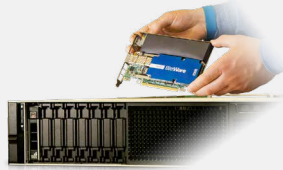
Additional Services

Take advantage of BittWare's range of design, integration, and support options



Customization

Additional specification options or accessory boards to meet your exact needs.



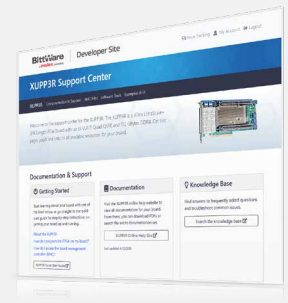
Server Integration

Available pre-integrated in our [TeraBox servers](#) in a range of configurations.



Application Optimization

Ask about our services to help you port, optimize, and benchmark your application.



Service and Support

BittWare Developer Site provides online documentation and issue tracking.

Board Specifications

FPGA	<ul style="list-style-type: none"> Intel Stratix 10 GX <ul style="list-style-type: none"> GX2800 in an F1760 package L-tile with up to 26Gbps SerDes I/O H-tile with up to 28Gbps SerDes I/O Core speed grade -2; I/O speed grade -2 Contact BittWare for other Stratix 10 GX options
On-board Flash	<ul style="list-style-type: none"> 2Gbit Flash memory for booting FPGA
External memory	<ul style="list-style-type: none"> Four banks of DDR4 SDRAM x 72 bits 8GB per bank (32GB total / 64GB version also available) Transfer Rate: 2400 MT/s
Host interface	<ul style="list-style-type: none"> x16 Gen3 interface direct to FPGA, connected to PCIe hard IP
QSFP cages	<ul style="list-style-type: none"> 4 QSFP28 cages on front panel connected directly to FPGA via 16 transceivers <ul style="list-style-type: none"> L-Tile: up to 2 100Gbps network ports H-Tile: up to 4 100Gbps network ports User programmable low jitter clocking supporting 10/25/40/100GbE Each QSFP28 can be independently clocked Jitter cleaner for network recovered clocking 2 QSFP28s have available 100GbE MAC hard IP
System manager	<ul style="list-style-type: none"> On-board Intel USB Blaster Power and temperature monitoring Fault condition reporting to FPGA

Cooling	<ul style="list-style-type: none"> Standard: double-width active heatsink (with fan) Optional: double-width passive heatsink
Electrical	<ul style="list-style-type: none"> On-board power derived from 12V PCIe slot & two AUX connectors (one 8-pin, one 6-pin) Power dissipation is application dependent Typical max power consumption 225W
Environmental	<ul style="list-style-type: none"> Operating temperature: 5°C to 35°C
Quality	<ul style="list-style-type: none"> Manufactured to ISO9001:2015 IPC-A-610-Class III RoHS compliant CE, FCC & ICES approvals
Form factor	<ul style="list-style-type: none"> Standard-height PCIe dual-slot board 4.376 x 10.5 inches (111 x 266.7 mm)

Development Tools

FPGA development	BIST - Built-In Self-Test for CentOS 7 provided with source code (pinout, gateway, PCIe driver & host test application)
Application development	Supported design flows - Intel FPGA OpenCL SDK, Intel High-Level Synthesis (C/C++ & Quartus Prime Pro (HDL, Verilog, VHDL, etc.))

Deliverables

- 520N FPGA board
- USB cable (front panel access)
- Built-In Self-Test (BIST)
- OpenCL HPC Board Support Package (BSP)
- 1-year access to online Developer Site
- 1-year hardware warranty

To learn more, visit www.BittWare.com

Rev 2019.02.04 | February 2020

© BittWare 2020

Stratix 10 is a registered trademark of Intel Corp. All other products are the trademarks or registered trademarks of their respective holders.



FPGA Design Solutions Network
Platinum

BittWare
a **molex** company

X-ON Electronics

Largest Supplier of Electrical and Electronic Components

Click to view similar products for [Accelerator Cards](#) category:

Click to view products by [Molex](#) manufacturer:

Other Similar products are found below :

[VEGA-320-01A1](#) [VEGA-330-02A1](#) [VEGA-4000-X0A0](#) [VEGA-4000-X0A1](#) [MUSTANG-F100-A10-R10](#) [Mustang-M2AE-MX1-R10](#)

[Mustang-M2BM-MX2-R10](#) [Mustang-MPCIE-MX2-R10](#) [BD-ACD-10AX1152B](#) [MUSTANG-V100-MX8-R10](#) [MYS-ZU3EG-8E4D-EDGE-K2](#)

[A-U280-A32G-DEV-G](#)